

**Serie | 6, Induction hob, 80 cm, Black  
PIV851FB1E**

**The Induction hob: Faster than gas and ceramic hobs, induction is easier to clean and more energy efficient.**

- **DirectSelect:** Direct, simple selection of the desired cooking zone, power and additional functions.
- **U-Bevel:** Elegant, appealing design with bevelled front and sides.
- **PowerBoost:** Up to 50% more power for faster heating.
- **QuickStart:** start straight away and select the desired cooking level.
- If you turn off the cooktop it saves the last selected setting for a short time. If the cooktop is switched off within a short time again the former settings are still available.

**Technical Data**

Product name/family :	Cooking zone ceramic
Construction type :	Built-in
Energy input :	Electric
Total number of positions that can be used at the same time :	5
Required niche size for installation (HxWxD) :	51 x 750-750 x 490-500
Width of the appliance :	802
Dimensions :	51 x 802 x 522
Dimensions of the packed product (HxWxD) (mm) :	126 x 953 x 603
Net weight (kg) :	15.656
Gross weight (kg) :	17.3
Residual heat indicator :	Separate
Location of control panel :	Hob front
Basic surface material :	Ceramic
Color of surface :	Black
Approval certificates :	AENOR, CE
Length of electrical supply cord (cm) :	110
EAN code :	4242002870427
Electrical connection rating (W) :	7400
Voltage (V) :	220-240
Frequency (Hz) :	50; 60



**Optional accessories**

HEZ9SE030 :



## Serie | 6, Induction hob, 80 cm, Black PIV851FB1E

**The Induction hob: Faster than gas and ceramic hobs, induction is easier to clean and more energy efficient.**

---

### Design

- 802 mm
- Three sided bevelled frameless finish

### Special features

- 5 Induction cooking zones
- DirectSelect
- Digital display, red
- Variable 17-stage power settings for each zone
- Timer for all zones  
Timer - shows how long the cooktop is in use
- QuickStart function
- ReStart function
- Energy consumption display

### Safety Features

- Automatic pan recognition sensor  
Automatic safety shut off  
Control panel lock  
Control panel lock function
- 2 stage residual heat indicator for each zone
- Main on/off switch

### Quickness

- PowerBoost function for all zones

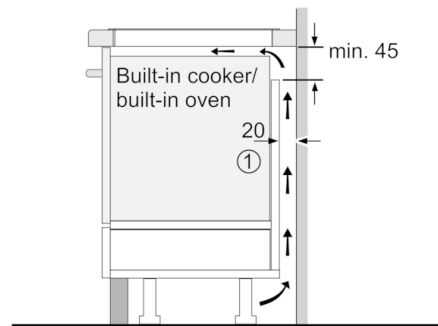
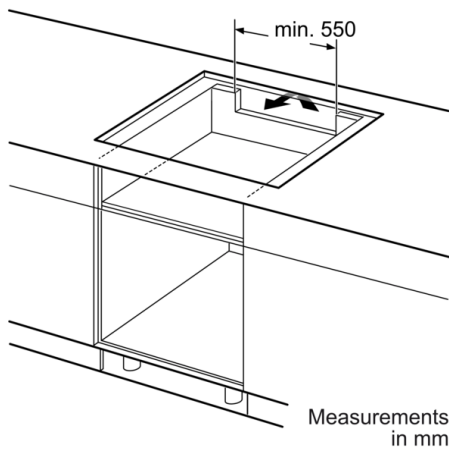
### Power and size

- Connected load: 7.4 KW
- Cooking zones: 1 x Ø 180 mm, 1.8 KW (max. Power levels 3.1 KW) Induction; 1 x Ø 145 mm, 1.4 KW (max. Power levels 2.2 KW) Induction; 1 x Ø 240 mm, 2.2 KW (max. Power levels 3.7 KW) Induction; 1 x Ø 145 mm, 1.4 KW (max. Power levels 2.2 KW) Induction; 1 x Ø 210 mm, 2.2 KW (max. Power levels 3.7 KW) Induction

### Technical information

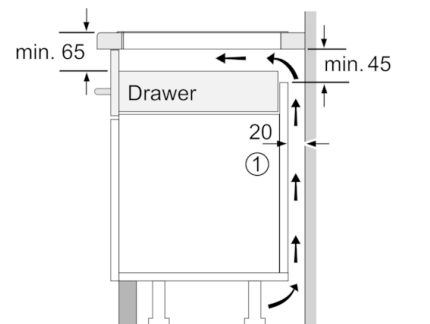
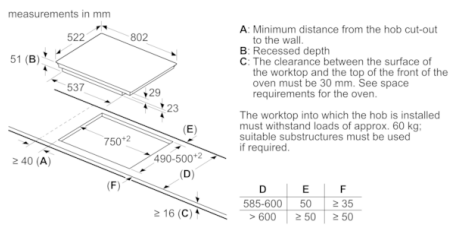
- Cable included
- Connection cable 110 cm
- Installation dimensions: (ID/W/D) 51 mm x 750 mm x 490 mm
- Appliance dimensions: (W/D) 802 mm x 522 mm
- Min. worktop thickness: 16 mm

## Serie | 6, Induction hob, 80 cm, Black PIV851FB1E



①  
Ventilation gap must  
be present

All measurements in mm



①  
Ventilation gap must  
be present.

Measurements in mm