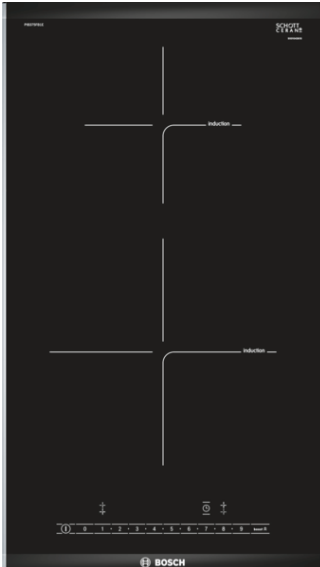


**Serie | 6, Domino induction hob, 30 cm, Black  
PIB375FB1E**



**Optional accessories**

HEZ394301 :  
HEZ9SE030 :

**The Induction hob: Faster than gas and ceramic hobs, induction is easier to clean and more energy efficient.**

- **DirectSelect:** Direct, simple selection of the desired cooking zone, power and additional functions.
- **ComfortProfile:** Elegant, appealing design with bevelled front and metal strips on the side.
- **30 cm width:** suitable for combining with other Domino and ComfortProfile hobs.
- **PowerBoost:** Up to 50% more power for faster heating.
- **QuickStart:** start straight away and select the desired cooking level.

**Technical Data**

Product name/family :	Vario/Domino cooking zone cera
Construction type :	Built-in
Energy input :	Electric
Total number of positions that can be used at the same time :	2
Required niche size for installation (HxWxD) :	51 x 270 x 490-500
Width of the appliance :	306
Dimensions :	51 x 306 x 527
Dimensions of the packed product (HxWxD) (mm) :	110 x 370 x 573
Net weight (kg) :	6.858
Gross weight (kg) :	7.5
Basic surface material :	Ceramic
Color of surface :	Alu, brushed, Black
Approval certificates :	AENOR, CE
Length of electrical supply cord (cm) :	110
EAN code :	4242002848631
Electrical connection rating (W) :	3700
Voltage (V) :	220-240
Frequency (Hz) :	50; 60



**Serie | 6, Domino induction hob, 30 cm,  
Black  
PIB375FB1E**

**The Induction hob: Faster than gas and ceramic hobs, induction is easier to clean and more energy efficient.**

---

**Design**

- 306 mm
- Profile trim (front facette with side trim)

**Special features**

- 2 induction cooking zones
- DirectSelect touch control
- Digital display, red
- Variable 17-stage power settings for each zone
- Timer for all zones  
Timer - shows how long the cooktop is in use  
Count up timer per cooktop
- QuickStart function
- ReStart function
- Energy consumption display

**Power and size**

- Connected load: 3.7 KW
- Cooking Zones: 1 x Ø 145 mm, 1.4 KW (max. Power levels 2.2 KW) Induction; 1 x Ø 210 mm, 2.2 KW (max. Power levels 3.7 KW) Induction

**Safety Features**

- Automatic pan recognition sensor  
Automatic safety shut off  
Control panel lock
- 2 stage residual heat indicator for each zone
- Main on/off switch

**Quickness**

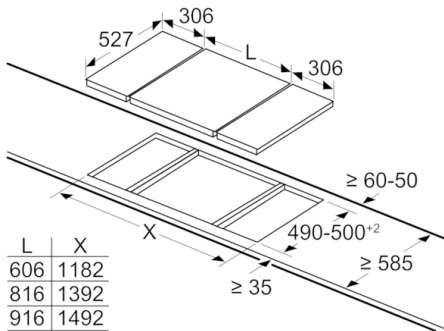
- PowerBoost function for all zones

**Performance/technical information**

- Cable included
- Length of main cable: 110 cm
- Min. worktop thickness: 16 mm

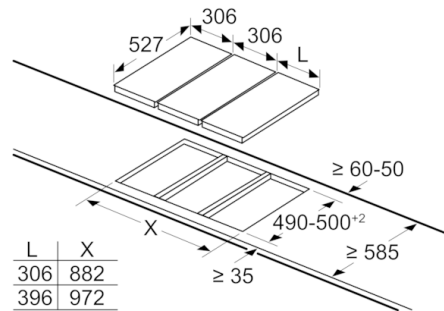
**Serie | 6, Domino induction hob, 30 cm,  
Black  
PIB375FB1E**

measurements in mm



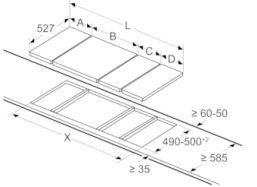
When installing two Domino units right next to a hob, two assembly kits (HEZ394301) are required.

measurements in mm



When installing two or more Domino units side-by-side, one or more assembly kits are required (2 units = 1 assembly kit, 3 units = 2 assembly kits, etc.).

measurements in mm  
Picture for the table Domino combination possibilities with corresponding devices and cutout dimensions



If two or more elements are installed right next to one another, one or several installation kits are required (2 elements 1 installation kit, 3 elements 2 installation kits, etc.).

Cutout dimension (X) depending on the combination see table:

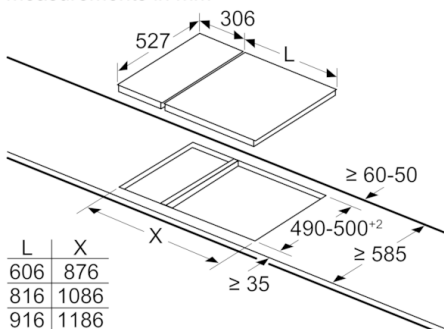
measurements in mm

Domino combination options with corresponding appliance and cut-out dimensions

Width category:  
Appliance width:

	A	B	C	D	L	X		
2x30	306	306	-	-			612	576
1x30, 1x40	306	396	-	-			702	666
1x30, 1x60	306	606	-	-			912	876
1x30, 1x70*	306	710	-	-			1016	980
1x30, 1x80	306	816	-	-			1122	1086
1x30, 1x90	306	916	-	-			1222	1186
2x40	396	396	-	-			792	756
1x40, 1x60	396	606	-	-			1002	966
1x40, 1x70*	396	710	-	-			1106	1070
1x40, 1x80	396	816	-	-			1212	1176
1x40, 1x90	396	916	-	-			1312	1276
3x30	306	306	306	-			918	882
2x30, 1x40	306	306	396	-			1008	972
2x30, 1x60	306	306	606	-			1218	1182
2x30, 1x70*	306	306	710	-			1322	1286
2x30, 1x80	306	306	816	-			1428	1392
2x30, 1x90	306	306	916	-			1528	1492
1x30, 2x40	306	396	396	-			1098	1062
1x30, 1x40, 1x60	306	396	606	-			1308	1272
1x30, 1x40, 1x70*	306	396	710	-			1412	1376
1x30, 1x40, 1x80	306	396	816	-			1518	1482
1x30, 1x40, 1x90	306	396	916	-			1618	1582
2x40, 1x60	396	396	606	-			1398	1362
4x30	306	306	306	306			1224	1188

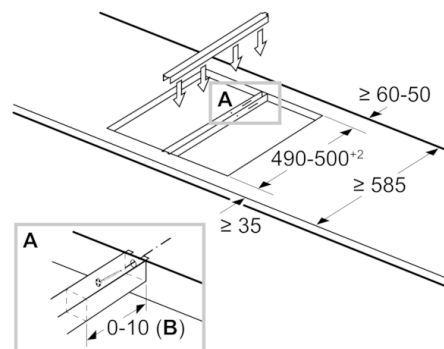
measurements in mm



When installing a Domino unit right next to a hob, an assembly kit (HEZ394301) is required.

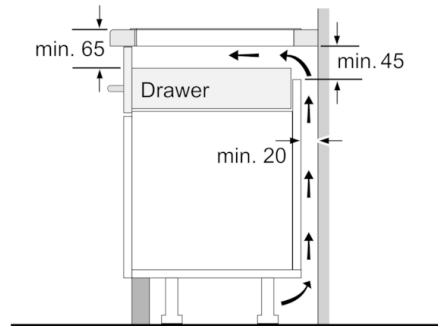
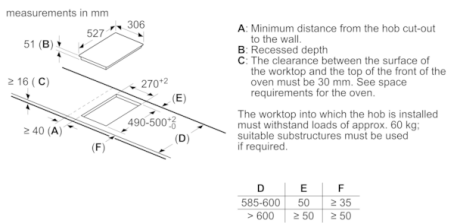
measurements in mm

Assembly kit (HEZ394301) for Domino

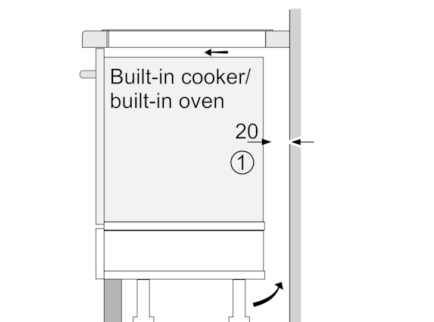


B: Dependent on the cut-out depth

**Serie | 6, Domino induction hob, 30 cm,  
Black  
PIB375FB1E**

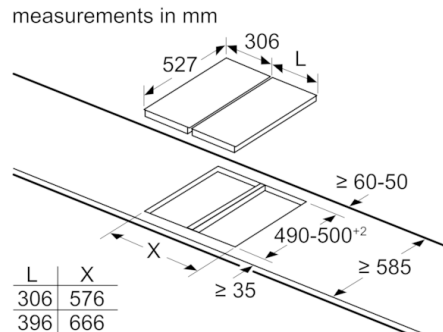


Measurements in mm

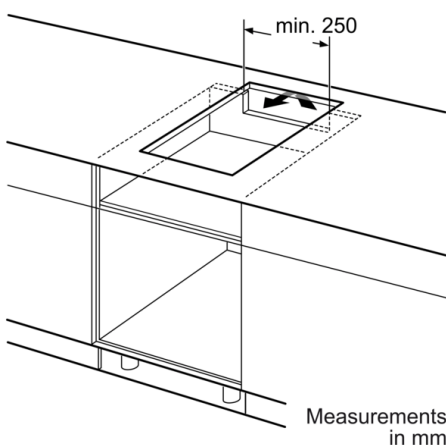


① Ventilation gap must be present.

Measurements in mm



When installing two or more Domino units side-by-side, one or more assembly kits are required (2 units = 1 assembly kit, 3 units = 2 assembly kits, etc.).



Measurements in mm