

## iQ500, Ceiling cooker hood, 90 cm, Stainless steel LR97CAQ50B

A



The ceiling hood perfectly integrates into your kitchen to effectively remove grease and odours with its high extraction rate and sleek, modern design.

- ✓ The quiet high-performance motor: ensures efficient odour and steam removal.
- ✓ The power level and the light of your hood can be adjusted by your hob with the cookConnect system or via the Home Connect App.
- ✓ Easily control the system with your voice - voiceControl
- ✓ Access and control your hood, no matter where you are - Home Connect App (Android and iOS)
- ✓ Control your system using the Home Connect App - remoteControl.

### Features

#### Technical Data

Approval certificates : CE, VDE  
 Length of electrical supply cord (cm) : 130  
 Required niche size for installation (HxWxD) : 299mm x 888.0mm x 487mm  
 Minimum distance above an electric hob : 650  
 Minimum distance above a gas hob : 650  
 Net weight (kg) : 24.454  
 Type of control : Electronic  
 Number of speed settings : 3-stage + 2 intensive  
 Maximum output air extraction (m3/h) : 459  
 Boost position output recirculating (m3/h) : 565.0  
 Maximum output recirculating air (m3/h) : 422  
 Boost position air extraction (m³/h) : 798  
 Number of lights (Stck) : 4  
 Noise level (dB(A) re 1 pW) : 56  
 Diameter of air outlet (mm) : 150  
 Grease filter material : Washable stainless steel  
 EAN code : 4242003834022  
 Connection rating (W) : 174  
 Voltage (V) : 220-240  
 Frequency (Hz) : 50; 60  
 Plug type : GB plug  
 Installation type : Island

### Optional accessories

LZ31XXB16  
 LZ21JCC56  
 LZ21JCC26  
 LZ20JCD50  
 LZ20JCD20  
 LZ00XPP00



## iQ500, Ceiling cooker hood, 90 cm, Stainless steel LR97CAQ50B

### Features

#### Key performance features:

- Energy Efficiency Class: A (at a range of energy efficiency classes from A+++ to D)
- Extraction rate according to EN 61591 ø 15 cm:
- max. Normal use 458 m<sup>3</sup>/h
- Intensive 798 m<sup>3</sup>/h
- Noise max. Normal Level: Noise, max. speed in normal us: 56 dB dB\*

#### Home Connect: Remote Monitoring and Control

- Home Connect: Remote Monitoring and Control for connected home appliances and operation via smartphone or tablet (only in countries where Home Connect service is available)
- The Home Connect functionality can be extended by integrating numerous applications from external cooperation partners (partnerships)
- Voice Control enabled via popular voice assistants (only in countries where this service is available)
- Interval function: available via Home Connect
- Silence function: available via Home Connect

#### Features

- cookConnect hob based hood control
- 3 power levels and 2 intensive settings
- Automatic intensive revert (6mins)
- softLight with dimmer function
- 4 x 3W LED Lights
- Efficient BLDC motor
- Twin channel high performance fan motor
- Interval operation
- Automatic after running (Automatic after running (10 minutes))
- Grease and charcoal filter saturation indicators
- 2 x metal grease filter cassettes
- Steel filter cover, Steel filter cover
- Infrared remote control
- Rim ventilation
- Easy to clean inner frame

#### Design

- Stainless Steel
- For ceiling mounted installation
- Rotatable motor: possible to position the air outlet on all four sides
- Electronic control

#### Performance/technical information

- Suitable for ducted and re-circulating operation
- For recirculated extraction a recirculating kit or a CleanAir recirculation kit (accessory) is needed
- Max. extraction rate: 798 m<sup>3</sup>/h
- Noise level according to EN 60704-3 and EN 60704-2-13 exhaust air:
- Max. normal use: 56 dB(A) re 1 pW
- Intensive: 68 dB(A) re 1 pW
- With the Clean Air Plus recirculation kit (available as optional accessory) your appliances reaches:
- Extraction rate in recirculation mode:
- Max. normal use: 422 m<sup>3</sup>/h
- Intensive: 565 m<sup>3</sup>/h
- Noise level in recirculation mode with Clean Air Plus odor filter :

- Max. normal use: 63 dB(A) re 1 pW
- Intensive: 69 dB(A) re 1 pW
- 
- Power rating: 174 W
- Light Intensity: 659 lux
- Colour Temperature: 3500 K
- Electrical cable length 1.3 m
- Diameter pipe Ø 150 mm (Ø 150 mm enclosed)
- Dimensions exhaust air (HxWxD): 300-300 x 900 x 500 mm
- Dimensions recirculating, chimney (HxWxD): 300-300 x 900 x 500 mm
- 
- Blower Efficiency Class: A\*
- Lighting Efficiency Class: A\*
- Grease Filtering Efficiency Class: E\*
- Average Energy Consumption: 34 kWh/year\*

#### Optional accessories

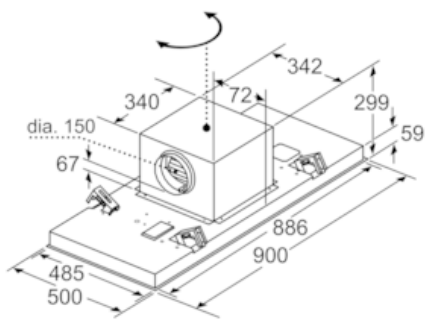
- Recirculating kit LZ00XP00

\* In accordance with the EU-Regulation No 65/2014

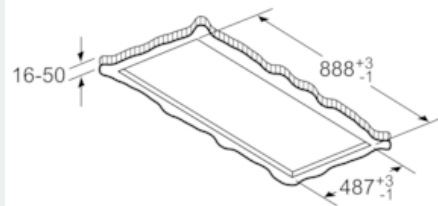
**iQ500, Ceiling cooker hood, 90 cm,  
Stainless steel  
LR97CAQ50B**

Dimensioned drawings

The fan outlet can be turned in all four directions



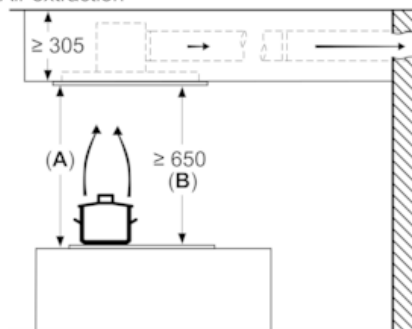
measurements in mm



Never fit directly onto plasterboard or similar lightweight construction materials of the suspended ceiling. A suitable substructure is required that is securely fixed to the concrete ceiling.

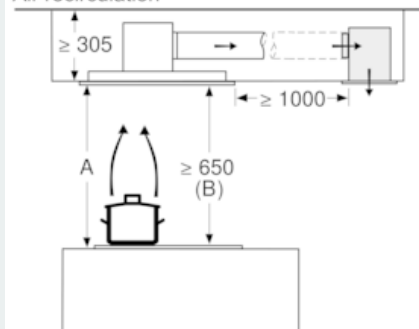
measurements in mm

measurements in mm  
Air extraction



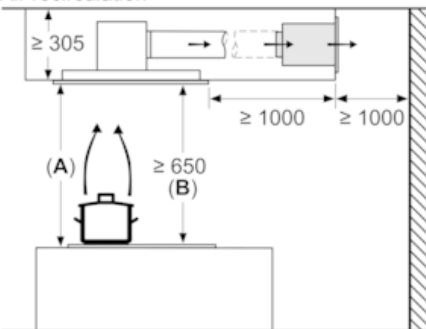
A: Optimum performance 700-1500  
B: From upper edge of pan support

measurements in mm  
Air recirculation



A: Optimum performance 700-1500  
B: From upper edge of pan support

measurements in mm  
Air recirculation



A: Optimum performance 700-1500  
B: From upper edge of pan support