

Serie | 6, Built-in fridge-freezer with freezer at bottom, 177.2 x 55.8 cm KIS86AFE0G



The bottom freezer with VitaFresh plus drawer: keeps your fruit and vegetables fresher for longer.

- LED lights bring a completely new lighting concept to fridges
- **VarioZone:** more flexibility due to variable-use glass shelves and drawers in the freezer compartment.
- **Automatic super freezing:** for freezing smaller food loads faster whilst protecting your frozen items from defrosting, thanks to the detection of temperature increase
- **BigBox frozen food drawer:** for stacking storage containers or for large frozen food items.
- **EasyAccess Shelf:** retractable glass shelf for convenient loading and unloading and a perfect view.



Technical Data

Energy Efficiency Class (Regulation (EU) 2017/1369):	E
Average annual energy consumption in kilowatt hour per year (kWh/a) (EU) 2017/1369:	219
Sum of volume of frozen compartments (EU 2017/1369):	74
Sum of volume of chill compartments (EU 2017/1369):	192
Airborne acoustical noise emissions (EU 2017/1369):	36
Airborne acoustical noise emission class (EU 2017/1369):	C
Construction type:	Built-in
Door panel options:	Not possible
Width of the appliance:	558
Depth of the product:	545
Required niche size for installation (HxWxD):	1775.0 x 560 x 550
Net weight (kg):	62.547
Connection rating (W):	90
Current (A):	13
Door hinge:	Right reversible
Voltage (V):	220-240
Frequency (Hz):	50
Approval certificates:	CE, VDE
Length of electrical supply cord (cm):	230
Storage Period in Event of Power Failure (h):	9
Number of compressors:	1
Number of independent cooling systems:	2
Interior ventilator:	No
Reversible Door Hinge:	Yes
Number of Adjustable Shelves in fridge compartment (Stck):	4
Shelves for Bottles:	No
Frost free system:	No
Installation type:	Full-integrated
Type of hinge:	Flush-folding

Included accessories

- 3 x egg tray
- 1 x ice cube tray
- 1 x bottle holder in door tray

Optional accessories

KSZ10020 :



Serie | 6, Built-in fridge-freezer with freezer at bottom, 177.2 x 55.8 cm KIS86AFE0G

The bottom freezer with VitaFresh plus drawer: keeps your fruit and vegetables fresher for longer.

- KIS86AFE0G
- SmartCool
- Easy Installation

Performance and Consumption

Functions

- Bright interior LED fridge light

Design features

- Electronic control for fridge and freezer with LED display
- FreshSense - Constant temperature control by intelligent sensor technology
- Two separate cooling circuits allow independent temperature control and prevents the transference of humidity between the fridge and freezer cavity
- Super Cooling: automatic deactivation
- SuperFreeze function with automatic deactivation
- Holiday mode
- Optical and acoustical door open warning
- Freezer malfunction warning signal: optical and accoustical

Design features

- 5 safety glass shelves (4 height adjustable)
- 5 door trays, including 1x dairy compartment

Freshness System

- 1 VitaFresh Plus drawer with humidity control. Fruit and vegetables retain vitamins and last longer.

Food freshness system

- LowFrost - less ice creation and therefore quicker defrosting
- Vario Zone - removable safety glass shelves for extra space!
- 3 transparent freezer drawers, including 1 BigBox

Dimension and installation

- Dimensions: 177.2 cm H x 55.8 cm W x 54.5 cm D
- Niche Dimensions: 177.5 cm H x 56 cm W x 55 cm D

Key features - Fridge section

- Right hinged door, door reversible
- Connection value 90 W
- 220 - 240 V

Key features - Freezer section

- KIS86AFE0G
- bottle holder in door tray

Country Specific Options

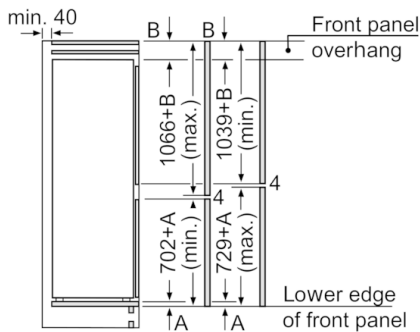
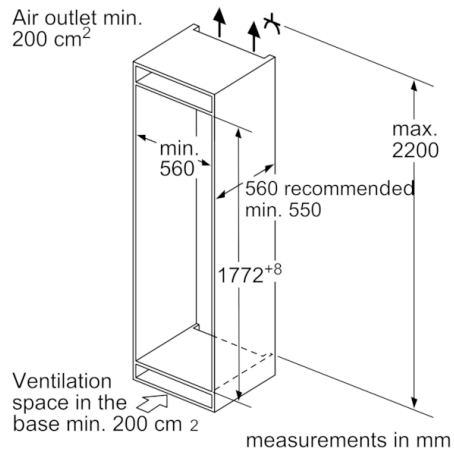
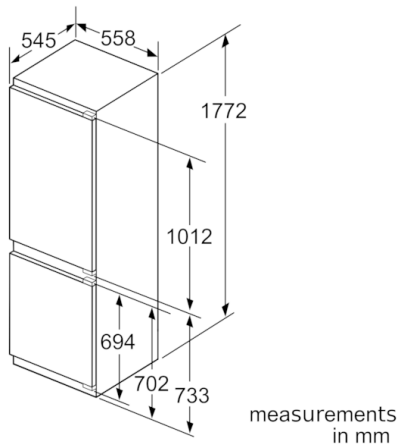
- Based on the results of the standard 24-hour test. Actual consumption depends on usage/position of the appliance.

Design features

Dimension and installation

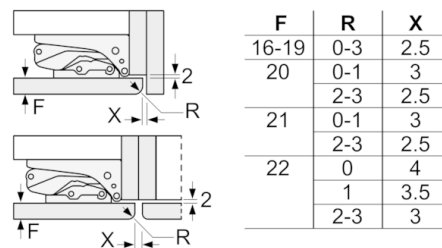
Additional features

Serie | 6, Built-in fridge-freezer with freezer at bottom, 177.2 x 55.8 cm
KIS86AFE0G



The specified unit door dimensions are valid for a door gap of 4 mm.
 measurements in mm

measurements in mm
 Recommended gap dimensions for flat hinges



The gap dimensions recommended in the table must be adhered to in order to ensure that appliance doors do not collide with anything when they are opened, and to avoid causing damage to kitchen units.