

**iQ500, Built-in fridge, 177.5 x 56 cm
KI81RAFE0G**



refrigerator with hyperFresh plus to keep fruit and vegetables fresh up to 2 times longer, plus touchControl temperature control.

- ✓ The hyperFresh plus Box with adjustable humidity keeps fruit and vegetables fresh for longer.
- ✓ The LED lights up the interior brightly and evenly.
- ✓ bottleRack: Store bottles safely
- ✓ The easyAccess glass shelves make loading easier and give you a better view of your food items.
- ✓ The superCooling button reduces the temperature for a set time, to quickly cool down fresh food items.

Features

Technical Data

Energy Efficiency Class (Regulation (EU) 2017/1369): E
 Average annual energy consumption in kilowatt hour per year (kWh/a) (EU) 2017/1369: 115
 Sum of volume of frozen compartments (EU 2017/1369): 0
 Sum of volume of chill compartments (EU 2017/1369): 319
 Airborne acoustical noise emissions (EU 2017/1369): 37
 Airborne acoustical noise emission class (EU 2017/1369): C
 Construction type: Built-in
 Door panel options: Not possible
 Height (mm): 1772
 Width of the appliance: 558
 Depth of the product: 545
 Required niche size for installation (HxWxD): 1775.0 x 560 x 550
 Net weight (kg): 61.390
 Connection rating (W): 90
 Current (A): 13
 Door hinge: Right reversible
 Voltage (V): 220-240
 Frequency (Hz): 50
 Approval certificates: CE, G-Mark, VDE
 Length of electrical supply cord (cm): 230
 Number of compressors: 1
 Number of independent cooling systems: 1
 Interior ventilator: Yes
 Reversible Door Hinge: Yes
 Number of Adjustable Shelves in fridge compartment (Stck): 6
 Shelves for Bottles: Yes
 EAN code: 4242003884478
 Brand: Siemens
 Product name / Commercial code: KI81RAFE0G
 Product category: Refrigerator
 Frost free system: No
 Installation type: Full-integrated

Included accessories

3 x egg tray

Optional accessories

KS10Z020



iQ500, Built-in fridge, 177.5 x 56 cm KI81RAFE0G

Features

- KI81RAFE0G
- coolEfficiency
- easy Installation

Functions

- Bright interior LED fridge light

-

Design features

- Electronic LED display
- VitaControl - constant temperature by intelligent sensor technology - Constant temperature control by intelligent sensor technology
- Automatic defrost in fridge section
- Super Cooling: automatic deactivation
- Acoustic open door warning system

Design features

- 7 safety glass shelves (6 height adjustable)
- Bottle rack
- 6 door trays, including 1x dairy compartment
- bottle holder in door tray

Freshness System

- 1 x hydroFresh drawer - humidity controlled vegetable/salad container on telescopic rails for prolonged storage
- 1 x humidity controlled vegetable/salad drawer on telescopic rails

-

Dimension and installation

- Dimensions: 177.2 cm H x 55.8 cm W x 54.5 cm D
- Niche Dimensions: 177.5 cm H x 56 cm W x 55 cm D

Key features - Fridge section

- Right hinged door, door reversible
- Connection value 90 W
- 220 - 240 V

Country Specific Options

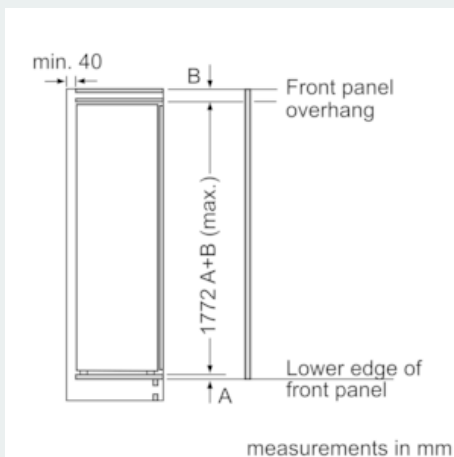
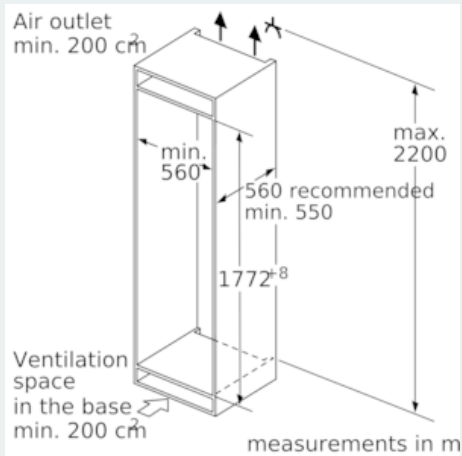
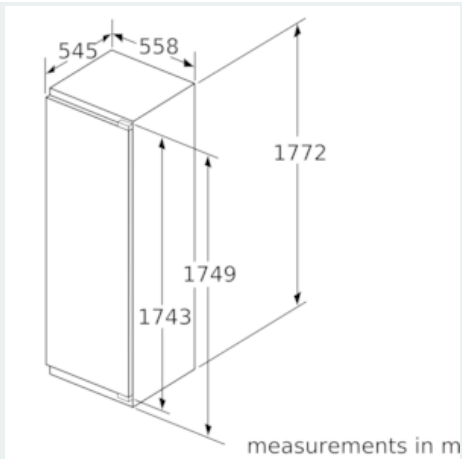
- Based on the results of the standard 24-hour test. Actual consumption depends on usage/position of the appliance.

Performance and Consumption

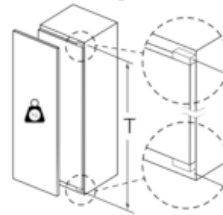
- EU19_EEK_D: E
- Total Volume : 319 l
- Net Fridge Volume : 319 l
- Net Freezer Volume : 0 l
- Annual Energy Consumption: 115 kWh/a
- Climate Class: SN-ST
- Noise Level : 37 dB

iQ500, Built-in fridge, 177.5 x 56 cm
KI81RAFE0G

Dimensioned drawings



Maximal permissible weight of the unit fronts

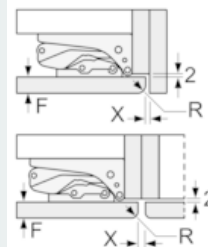


Fitted kitchen unit doors that exceed the permissible weight may cause damage and result in functional impairment of the hinges.

T: Includes height of appliance door Hinges in mm:	undamped hinge, Door in kg:	damped hinge, Door in kg:
1500-1750	22	22

measurements in mm

Recommended gap dimensions for flat hinges



F	R	X
16-19	0-3	2.5
20	0-1	3
	2-3	2.5
21	0-1	3
	2-3	2.5
22	0	4
	1	3.5
	2-3	3

The gap dimensions recommended in the table must be adhered to in order to ensure that appliance doors do not collide with anything when they are opened, and to avoid causing damage to kitchen units.