

iQ700, Built-in fridge, 177.5 x 56 cm, soft close flat hinge KI81FHDD0



Premium refrigerator with hyperFresh premium 0°C to keep food fresh up to 3 times longer.

- ✓ Storage Guide: Easily find the best possible place for each individual food.
- ✓ hyperFresh Premium 0°C –#Optimal storage for all your fresh ingredients.
- ✓ Home Connect – Control your smart fridge no matter where you are.
- ✓ SoftClosing Door: door closes automatically and softly when it is open at a 20° angle or less.
- ✓ bottleRack – Store your bottles safely and in easy reach.

Features

Technical Data

Energy Efficiency Class: D
 Average annual energy consumption in kilowatt hour per year (kWh/a): 120 kWh/annum
 Sum of volume of frozen compartments: 0 l
 Sum of volume of chill compartments: 289 l
 Airborne acoustical noise emissions : 36 dB
 Airborne acoustical noise emission class: C
 Construction type: Built-in
 Door panel options: Not possible
 Height: 1772 mm
 Width of the appliance: 558 mm
 Depth of the product: 545 mm
 Required niche size for installation (HxWxD): 1775.0 x 560 x 550 mm
 Net weight: 69.050 kg
 Connection rating: 90 W
 Fuse protection: 10 A
 Door hinge: Right reversible
 Voltage: 220-240 V
 Frequency: 50 Hz
 Approval certificates: CE
 Length of electrical supply cord: 230 cm
 Number of compressors: 1
 Number of independent cooling systems: 1
 Interior ventilator: No
 Reversible Door Hinge: Yes
 Number of Adjustable Shelves in fridge compartment (Stck): 6
 Shelves for Bottles: Yes
 EAN code: 4242003873946
 Brand: Siemens
 Product name / Commercial code: KI81FHDD0
 Product category: Refrigerator
 Frost free system: No
 Installation type: Full-integrated

Included accessories

- 3 x egg tray
- 1 x bottle holder in door tray



iQ700, Built-in fridge, 177.5 x 56 cm, soft close flat hinge KI81FHDD0

Features

- KI81FHDD0
- Fixed hinge, softClosing door system - dampens door movement, for smooth and effortless closure
- easy Installation
- 1 removable door storage compartments.
- Interior design with metal applications

Functions

- LED fridge light with Soft Start

Design features

- Home Connect: Remote Monitoring and Control with Wi-Fi connectivity
- Electronic LED display
- VitaControl - constant temperature by intelligent sensor technology - Constant temperature control by intelligent sensor technology
- Super Cooling: automatic deactivation
- Acoustic open door warning system

Design features

- 7 safety glass shelves (6 height adjustable)
- Bottle rack
- 5 door trays, including 1x dairy compartment

Freshness System

- 1 hyperFresh premium 0°C box with adjustable humidity - keeps fruit and vegetables fresher for longer.
- 2 hyperFresh premium 0°C boxes - keep fish and meat fresher for longer.
-

Dimension and installation

- Dimensions: 177.2 cm H x 55.8 cm W x 54.5 cm D
- Niche Dimensions: 177.5 cm H x 56 cm W x 55 cm D

Key features - Fridge section

- Right hinged door, door reversible
- Connection value 90 W
- 220 - 240 V

Key features - Freezer section

- 3 x egg tray, 1 x bottle holder in door tray

Country Specific Options

- Based on the results of the standard 24-hour test. Actual consumption depends on usage/position of the appliance.

Design features

Dimension and installation

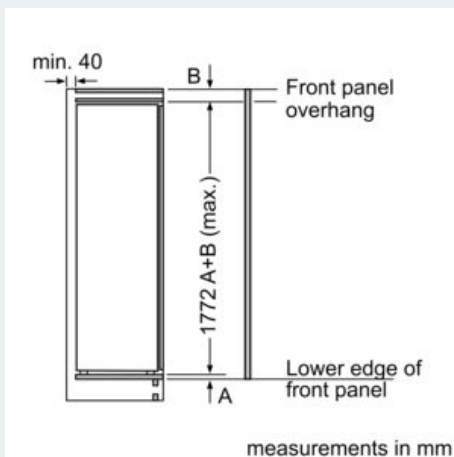
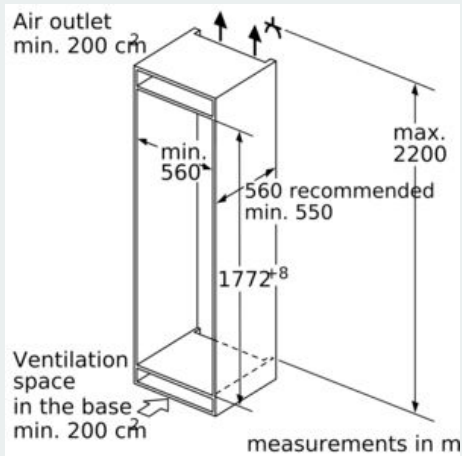
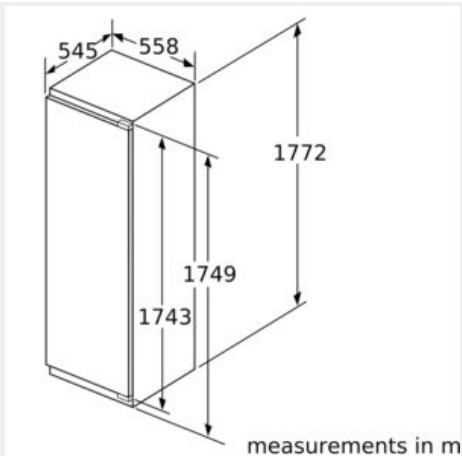
Additional features

Performance and Consumption

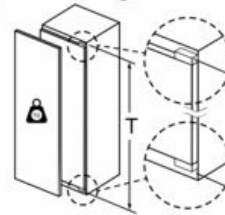
- EU19_EEK_D: D
- Total Volume : 289 l
- Net Fridge Volume : 289 l
- Net Freezer Volume : 0 l
- Annual Energy Consumption: 120 kWh/a
- Climate Class: SN-T
- Noise Level : 36 dB

iQ700, Built-in fridge, 177.5 x 56 cm, soft close flat hinge KI81FHDD0

Dimensioned drawings



Maximal permissible weight of the unit fronts

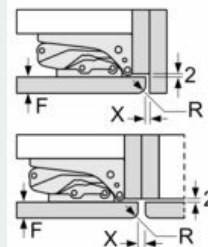


Fitted kitchen unit doors that exceed the permissible weight may cause damage and result in functional impairment of the hinges.

T: Includes height of appliance door Hinges in mm:	undamped hinge, Door in kg:	damped hinge, Door in kg:
1500-1750	22	22

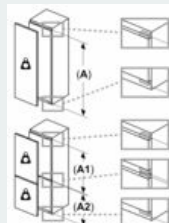
measurements in mm

Recommended gap dimensions for flat hinges



F	R	X
16-19	0-3	2.5
20	0-1	3
	2-3	2.5
21	0-1	3
	2-3	2.5
22	0	4
	1	3.5
	2-3	3

The gap dimensions recommended in the table must be adhered to in order to ensure that appliance doors do not collide with anything when they are opened, and to avoid causing damage to kitchen units.



Maximal permissible weight of the unit fronts

Fitted unit fronts that exceed the permissible weight may cause damage and result in functional impairment of the hinges.

Δ Weight
A: Appliance door height including hinges in mm
B: Undamped hinge, unit front in kg
C: Damped hinge, unit front in kg

A	B	C
1500-1750	22	22
720-1400	19	19
A1	15	19
A2	15	19