

## iQ500, Built-in fridge, 122.5 x 56 cm KI41RAFF0



coolEfficiency built-in fridge with hyperFresh plus Box to keep fruit and vegetables fresh up to 2 times longer and flexible varioShelf.

- ✓ The hyperFresh plus Box with adjustable humidity keeps fruit and vegetables fresh for longer.
- ✓ The LED lights up the interior brightly and evenly.
- ✓ The easyAccess glass shelves make loading easier and give you a better view of your food items.
- ✓ The superCooling button reduces the temperature for a set time, to quickly cool down fresh food items.
- ✓ Arrange the split varioShelf front-to-back or place underneath, depending on your space needs.

### Features

#### Technical Data

Energy Efficiency Class (Regulation (EU) 2017/1369): F  
 Average annual energy consumption in kilowatt hour per year (kWh/a) (EU) 2017/1369: 123  
 Sum of volume of frozen compartments (EU 2017/1369): 0  
 Sum of volume of chill compartments (EU 2017/1369): 211  
 Airborne acoustical noise emissions (EU 2017/1369): 33  
 Airborne acoustical noise emission class (EU 2017/1369): B  
 Construction type: Built-in  
 Door panel options: Possible but accessory  
 Height (mm): 1221  
 Width of the appliance: 558  
 Depth of the product: 545  
 Required niche size for installation (HxWxD): 1225.0 x 560 x 550  
 Net weight (kg): 48.988  
 Connection rating (W): 90  
 Current (A): 10  
 Door hinge: Right reversible  
 Voltage (V): 220-240  
 Frequency (Hz): 50  
 Approval certificates: CE, VDE  
 Length of electrical supply cord (cm): 230  
 Number of compressors: 1  
 Number of independent cooling systems: 1  
 Interior ventilator: No  
 Reversible Door Hinge: Yes  
 Number of Adjustable Shelves in fridge compartment (Stck): 5  
 Shelves for Bottles: No  
 EAN code: 4242003851470  
 Brand: Siemens  
 Product name / Commercial code: KI41RAFF0  
 Product category: Refrigerator  
 Frost free system: No  
 Installation type: Full-integrated

#### Included accessories

2 x egg tray

#### Optional accessories

KS10Z020



## iQ500, Built-in fridge, 122.5 x 56 cm KI41RAFF0

### Features

#### Functions

- Bright interior LED fridge light
- 

#### Design features

- Electronic LED display
- VitaControl - constant temperature by intelligent sensor technology - Constant temperature control by intelligent sensor technology
- Automatic defrost in fridge section
- Super Cooling: automatic deactivation
- Acoustic open door warning system

#### Design features

- 6 safety glass shelves (5 height adjustable)
- 4 door trays, including 1x dairy compartment

#### Freshness System

- 1 hyperFresh plus box with adjustable humidity - keeps fruit and vegetables fresh for longer.
- 

#### Dimension and installation

- Dimensions: 122.1 cm H x 55.8 cm W x 54.5 cm D
- Niche Dimensions: 122.5 cm H x 56 cm W x 55 cm D

#### Key features - Fridge section

- Right hinged door, door reversible
- Connection value 90 W
- 220 - 240 V

#### Key features - Freezer section

- KI41RAFF0

#### Country Specific Options

- Based on the results of the standard 24-hour test. Actual consumption depends on usage/position of the appliance.

#### Design features

#### Dimension and installation

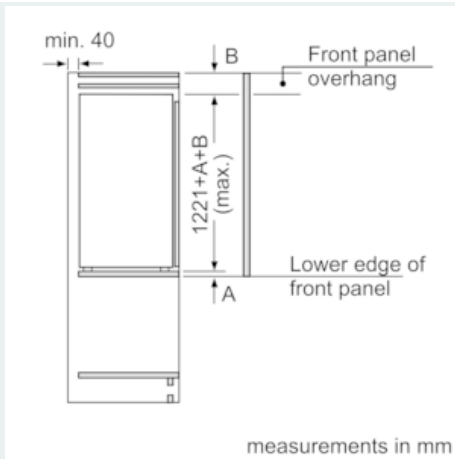
#### Additional features

#### Performance and Consumption

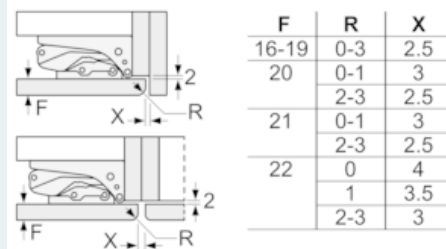
- EU19\_EEK\_D: F
- Total Volume : 211 l
- Net Fridge Volume : 211 l
- Net Freezer Volume : 0 l
- Annual Energy Consumption: 123 kWh/a
- Climate Class: SN-ST
- Noise Level : 33 dB

iQ500, Built-in fridge, 122.5 x 56 cm  
KI41RAFF0

Dimensioned drawings



measurements in mm  
Recommended gap dimensions for flat hinges



The gap dimensions recommended in the table must be adhered to in order to ensure that appliance doors do not collide with anything when they are opened, and to avoid causing damage to kitchen units.

