

iQ700, Built-in oven with steam function, 60 x 60 cm, Stainless steel HS658GES7B



Shorten your cooking time thanks to fast preheat and coolStart. And remote your oven from anywhere with Home Connect.

- ✓ fast preheat: reach the required baking temperature sooner; coolStart: no need to preheat the oven for deep frozen food.
- ✓ TFT Touchdisplay Plus: clear text display and intuitive operation.
- ✓ The full steam function: making it simple to cook healthy and delicious meals
- ✓ cookControl Plus: guaranteed success for numerous dishes.
- ✓ 4D hotAir: flexible choice of shelf.

Features

Technical Data

Color / Material Front : Stainless steel
 Construction type : Built-in
 Door opening : Drop down
 Required niche size for installation (HxWxD) : 585-595 x 560-568 x 550
 Dimensions : 595 x 594 x 548
 Dimensions of the packed product (HxWxD) (mm) : 670 x 660 x 690
 Control Panel Material : Stainless steel
 Door Material : Glass
 Net weight (kg) : 42.305
 Approval certificates : CE, VDE
 Length of electrical supply cord (cm) : 120
 EAN code : 4242003865767
 Current (A) : 16
 Voltage (V) : 220-240
 Frequency (Hz) : 50; 60
 Plug type : no plug
 Approval certificates : CE, VDE
 Number of cavities (2010/30/EC) : 1
 Usable volume (of cavity) - NEW (2010/30/EC) : 71
 Energy efficiency rating : A+
 Energy consumption per cycle conventional (2010/30/EC) : 0.87
 Energy consumption per cycle forced air convection (2010/30/EC) : 0.69
 Energy efficiency index (2010/30/EC) : 81.2

Optional accessories

HZ915003
 HZ66X650
 HZ664000
 HZ638D30
 HZ638D10
 HZ636000
 HZ631070
 HZ625071
 HZ531010



iQ700, Built-in oven with steam function, 60 x 60 cm, Stainless steel HS658GES7B

Features

Design

- 5.7" TFT touchDisplay Plus
- Cavity inner surface: enamel anthracite
- Drop down oven door, softClose, softOpen
-
- Multilevel LED Illumination, LED light, Light on/off when door opened/closed
- 5 shelf positions in oven
- Stainless steel control dial
- Bar handle

Features

- Digital temperature display with proposal
- Actual temperature display
- Heating-up indicator
- Temperature probe
-
- Control panel lock
- Automatic safety switch off
- Residual heat indicator
- Start button
- Door contact switch
-
- WLAN - Home connect enabled
- cookControl Plus
- bakingSensor
- roastingSensor Plus
-
- Electronic oven clock timer
- Tank empty indicator
- Integral cooling fan

Cleaning

- EcoClean Direct : ceiling, back panel, side liners
- ecoClean programme
- Full glass inner door

Programmes/functions

- Combi-steam oven with 15 PC heating methods: 4D hot air, hotairGentle, conventional top & bottom heating, Conventional heat Gentle, hot air grilling, full width grill, half width grill, Pizza setting, coolStart, bottom heat, intensive conventional heat, low temperature cooking, keep warm, dehydrate, plate warming
- Additional functions:
- Descaling programme
- Drying function
- autom. boiling point detection
-
- Fast preheat
- 1 x enamel baking tray, 1 x steam container, punched, size S, 1 x steam container, punched, size XL, 1 x steam container, unpunched, size S, 1 x grid, 1 x universal pan
- Cavity with shelf support rails

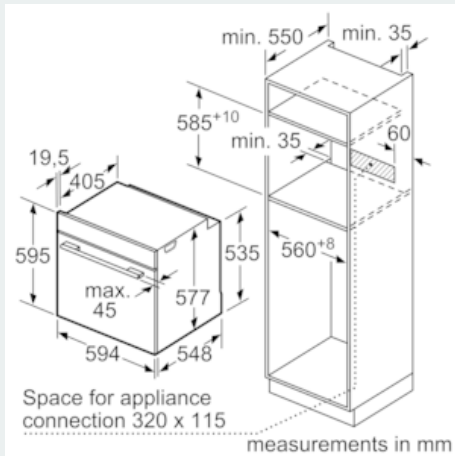
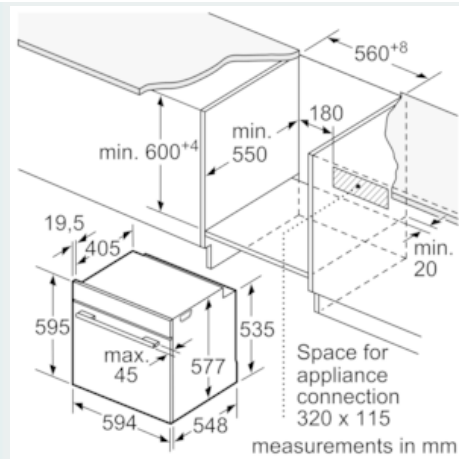
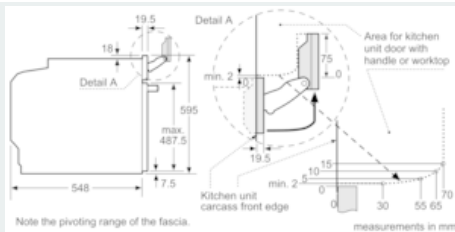
Technical information

- Energy efficiency rating (acc. EU Nr. 65/2014): A+
- Energy consumption per cycle in conventional mode: 0.87 kWh
- Energy consumption per cycle in fan-forced convection mode: 0.69 kWh

- Number of cavities: Main cavity
- Heat source: electrical
- Cavity volume: 71 litres
- 1 l Water tank capacity:
- Location of water tank: Outside cavity
- Total connected load electric: 3.6 KW
- Nominal voltage: 220 - 240 V
- 120 cm Cable length
- Temperature range 30 °C - 250 °C
- Appliance dimension (hxwxd): 595 mm x 594 mm x 548 mm
- Niche dimension (hxwxd): 585 mm - 595 mm x 560 mm - 568 mm x 550 mm
- Please refer to the dimensions provided in the installation manual

iQ700, Built-in oven with steam function, 60 x 60 cm, Stainless steel HS658GES7B

Dimensioned drawings



If the appliance will be installed underneath a hob, the following worktop thicknesses (including substructure if necessary) must be taken into account.

Hob type	min. worktop thickness	
	fitted	flush
Induction hob	37 mm	38 mm
Full surface Induction hob	47 mm	48 mm
Gas hob	30 mm	38 mm
Electric hob	27 mm	30 mm