

**Serie | 8, Built-in oven with added steam function, 60 x 60 cm, Stainless steel**  
**HRG6769S6B**

**A**



**The built-in oven with PerfectBake, PerfectRoast and added steam: automatically prepares your dishes so they're perfect and moist**

- **PerfectBake:** the easy way to perfect baking results.
- **PerfectRoast:** precise measurement of core temperature for a perfect roast.
- **Added Steam cooking:** keeping food crispy on the outside and juicy on the inside
- **4D HotAir:** even heat distribution for perfect results – on up to four levels simultaneously
- **BoschAssist:** automatic setting heat, temperature and time for countless dishes.

**Technical Data**

Color / Material Front :	Stainless steel
Construction type :	Built-in
Integrated Cleaning system :	Hydrolytic, Pyrolytic
Required niche size for installation (HxWxD) :	585-595 x 560-568 x 550
Dimensions :	595 x 594 x 548
Dimensions of the packed product (HxWxD) (mm) :	675 x 690 x 660
Control Panel Material :	Stainless steel
Door Material :	Glass
Net weight (kg) :	45.662
Usable volume of cavity (l) :	71
Cooking method :	Bottom heat, Conventional heat, Defrost, Dehydrate, Full width grill, Half width grill, Hot Air-Eco, Hot air grilling, Intensive heat, low temperature cooking, Pizza setting, pre-heating, warming
Temperature control :	electronic
Number of interior lights :	3
Approval certificates :	CE, VDE
Length of electrical supply cord (cm) :	120
EAN code :	4242002932514
Number of cavities (2010/30/EC) :	1
Energy efficiency rating :	A
Energy consumption per cycle conventional (2010/30/EC) :	0.90
Energy consumption per cycle forced air convection (2010/30/EC) :	0.74
Energy efficiency index (2010/30/EC) :	87.1
Connection rating (W) :	3600
Current (A) :	16
Voltage (V) :	220-240
Frequency (Hz) :	50; 60
Plug type :	no plug

**Included accessories**

2 x combination grid  
 1 x universal pan

**Optional accessories**

HEZ327000 :  
 HEZ530000 :  
 HEZ531010 : Baking tray, non-stick ceramic coated  
 HEZ625071 :  
 HEZ631070 :  
 HEZ634000 :  
 HEZ636000 :  
 HEZ915003 :



## Serie | 8, Built-in oven with added steam function, 60 x 60 cm, Stainless steel HRG6769S6B

**The built-in oven with PerfectBake, PerfectRoast and added steam: automatically prepares your dishes so they're perfect and moist**

### Design

- 3x 2,5"-TFT colour and graphics display with direct touch function
- Bosch control wheel
- Straight bar handle
- Drop down door, SoftClose, SoftOpen
- 5 shelf positions

### Features

- Electronic door lock
  - Control panel lock
  - Automatic safety switch off
  - Residual heat indicator
  - Start button
  - Door contact switch
- Digital temperature display with proposal
  - Actual temperature display
  - Heating-up indicator
  - Temperature probe
- Home Connect ready
- BoschAssist
- PerfectBake sensor
  - PerfectRoast meatprobe
- Electronic clock timer
- LED-Elongated light, LED light, Light on/off when oven door opened/closed
- Integral cooling fan
- Water tank empty indicator

### Cleaning

- Pyrolytic self-cleaning function
- Full glass inner door

### Programmes/functions

- Additional functions:
  - Descaling programme
  - Drying function
- Additional heating methods with steam: reheating with steam, Dough proving
- Fast pre-heating function

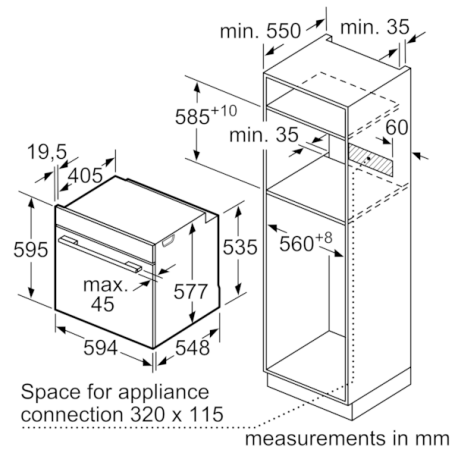
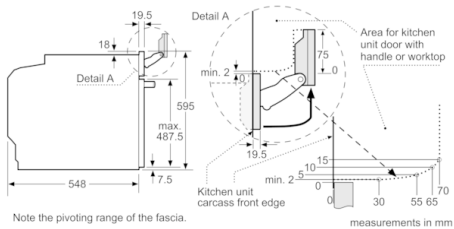
### Accessories

- 3 level telescopic shelf rails, full extension, Stop function, pyrolytic proof
- 2 x combination grid, 1 x universal pan

### Performance/technical information

- Energy efficiency rating (acc. EU Nr. 65/2014): A
- Energy consumption per cycle in conventional mode: 0.9 kWh
- Energy consumption per cycle in fan-forced convection mode: 0.74 kWh
- Number of cavities: Main cavity
- Heat source: electrical
- Cavity volume: 71 litre capacity
- Temperature range 30 °C - 275 °C
- 120 cm Cable length
- 1 l Water tank
- Location of water tank: Outside cavity
- Total connected load electric: 3.6 KW
- Nominal voltage: 220 - 240 V
- Appliance dimension (hxwxh): 595 mm x 594 mm x 548 mm
- Niche dimension (hxwxh): 585 mm - 595 mm x 560 mm - 568 mm x 550 mm
- Please refer to the dimensions provided in the installation manual

**Serie | 8, Built-in oven with added steam function, 60 x 60 cm, Stainless steel HRG6769S6B**



If the appliance will be installed underneath a hob, the following worktop thicknesses (including substructure if necessary) must be taken into account.

Hob type	min. worktop thickness	
	fitted	flush
Induction hob	37 mm	38 mm
Full surface Induction hob	47 mm	48 mm
Gas hob	30 mm	38 mm
Electric hob	27 mm	30 mm

