

## iQ700, Built-in oven with added steam function, 60 x 60 cm, Stainless steel HR678GES6B



Shorten your cooking time thanks to fast preheat, coolStart and activeClean. And remote control your oven from anywhere with Home Connect.

Shorten your cooking time thanks to fast preheat and coolStart. And remote your oven from anywhere with Home Connect.

- ✓ fast preheat: reach the required baking temperature sooner; coolStart: no need to preheat the oven for deep frozen food.
- ✓ activeClean: the automatic system for effortless cleaning.
- ✓ pulseSteam: for crispy crusts and juicy roasts.
- ✓ cookControl Plus: guaranteed success for numerous dishes.
- ✓ TFT Touchdisplay Plus: clear text display and intuitive operation.

### Features

#### Technical Data

Color / Material Front : Stainless steel  
 Construction type : Built-in  
 Integrated Cleaning system : Hydrolytic, Pyrolytic  
 Required niche size for installation (HxWxD) : 585-595 x 560-568 x 550  
 Dimensions : 595 x 594 x 548  
 Dimensions of the packed product (HxWxD) (mm) : 670 x 680 x 670  
 Control Panel Material : Stainless steel  
 Door Material : Glass  
 Net weight (kg) : 47.368  
 Usable volume of cavity (l) : 71  
 Cooking method : Bottom heat, Conventional heat, Dehydrate, Full width grill, Half width grill, Hot Air-Eco, Hot air grilling, Intensive heat, low temperature cooking, Pizza setting, pre-heating, warming  
 Temperature control : electronic  
 Number of interior lights : 3  
 Approval certificates : CE, VDE  
 Length of electrical supply cord (cm) : 120  
 EAN code : 4242003794852  
 Number of cavities (2010/30/EC) : 1  
 Energy efficiency rating : A+  
 Energy consumption per cycle conventional (2010/30/EC) : 0.87  
 Energy consumption per cycle forced air convection (2010/30/EC) : 0.69  
 Energy efficiency index (2010/30/EC) : 81.2  
 Connection rating (W) : 3600  
 Current (A) : 16  
 Voltage (V) : 220-240  
 Frequency (Hz) : 50; 60  
 Plug type : no plug

#### Included accessories

- 1 x combination grid
- 1 x universal pan

#### Optional accessories

- HZ915003
- HZ66X650
- HZ638370
- HZ638170
- HZ636000
- HZ634000
- HZ631070
- HZ625071
- HZ531010
- HZ327000



## iQ700, Built-in oven with added steam function, 60 x 60 cm, Stainless steel HR678GES6B

### Features

#### Design

- 5.7" TFT touchDisplay Plus
- Cavity inner surface: enamel anthracite
- Drop down oven door, softClose, softOpen
- 
- Stainless steel control dial
- Bar handle
- We recommend you to choose complementary products within iQ700, in order to assure an optimal design combination of your Built-In appliances.

#### Features

- Digital temperature display with proposal
- Actual temperature display
- Heating-up indicator
- Temperature probe
- 
- Electronic door lock
- Control panel lock
- Automatic safety switch off
- Residual heat indicator
- Start button
- Door contact switch
- 
- WLAN - Home connect enabled
- cookControl Plus
- bakingSensor
- roastingSensor Plus
- 
- Electronic oven clock timer
- Multilevel LED Illumination, LED light, Light on/off when door opened/closed
- Tank empty indicator
- Integral cooling fan
- 5 shelf positions in oven

#### Cleaning

- activeClean
- Full glass inner door

#### Programmes/functions

- Additional heating methods with steam: reheating with steam, Dough proving
- Oven with 15 PC heating methods: 4D hot air, hotairGentle, conventional top & bottom heating, Conventional heat Gentle, hot air grilling, full width grill, half width grill, Pizza setting, coolStart, bottom heat, intensive conventional heat, low temperature cooking, keep warm, dehydrate, plate warming
- Additional functions:
- Descaling programme
- Drying function
- 
- Fast preheat

#### Accessories

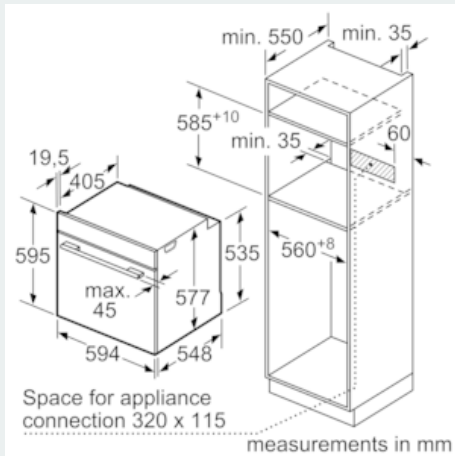
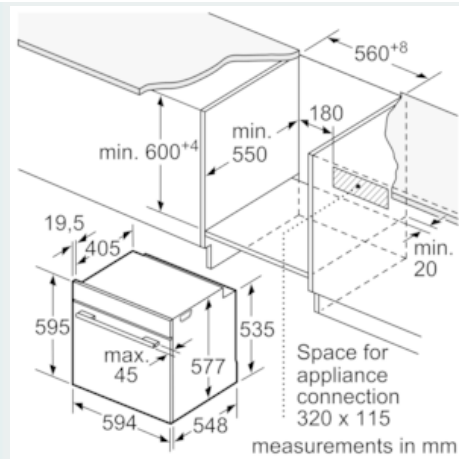
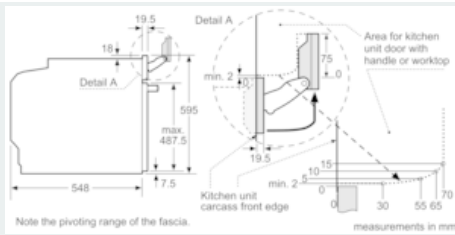
- 1 x combination grid, 1 x universal pan
- Cavity with shelf support rails, pyrolytic proof

#### Technical information

- 1 l Water tank capacity:
- Energy efficiency rating (acc. EU Nr. 65/2014): A+
- Energy consumption per cycle in conventional mode: 0.87 kWh
- Energy consumption per cycle in fan-forced convection mode: 0.69 kWh
- Number of cavities: Main cavity
- Heat source: electrical
- Cavity volume: 71 litres
- Temperature range 30 °C - 275 °C
- Location of water tank: Outside cavity
- Total connected load electric: 3.6 KW
- 120 cm Cable length
- Nominal voltage: 220 - 240 V
- Appliance dimension (hxwx): 595 mm x 594 mm x 548 mm
- Niche dimension (hxwx): 585 mm - 595 mm x 560 mm - 568 mm x 550 mm
- Please refer to the dimensions provided in the installation manual

**iQ700, Built-in oven with added steam function, 60 x 60 cm, Stainless steel HR678GES6B**

Dimensioned drawings



If the appliance will be installed underneath a hob, the following worktop thicknesses (including substructure if necessary) must be taken into account.

Hob type	min. worktop thickness	
	fitted	flush
Induction hob	37 mm	38 mm
Full surface Induction hob	47 mm	48 mm
Gas hob	30 mm	38 mm
Electric hob	27 mm	30 mm