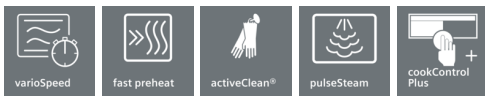


iQ700, Built-in oven with added steam and microwave function, 60 x 60 cm, Stainless steel HN678GES6B



Shorten your cooking time thanks to varioSpeed, fast preheat and activeClean. And remote your oven from anywhere with Home Connect.

- ✓ varioSpeed: reduce cooking times by up to 50%.
- ✓ fast preheat: reach the required baking temperature sooner; coolStart: no need to preheat the oven for deep frozen food.
- ✓ activeClean: the automatic system for effortless cleaning.
- ✓ pulseSteam: for crispy crusts and juicy roasts.
- ✓ cookControl Plus: guaranteed success for numerous dishes.

Features

Technical Data

Type of micro-wave oven : MW-Combi
 Type of control : Electronic
 Color / Material Front : Stainless steel
 Dimensions : 595 x 594 x 548
 Cavity dimensions (mm) : 357.0 x 480 x 392.0
 Length of electrical supply cord (cm) : 120
 Net weight (kg) : 49.317
 Gross weight (kg) : 51.7
 EAN code : 4242003794869
 Maximum micro-wave power (W) : 800
 Connection rating (W) : 3600
 Current (A) : 16
 Voltage (V) : 220-240
 Frequency (Hz) : 50; 60
 Plug type : no plug



Optional accessories

HZ915003
 HZ66X650
 HZ636000
 HZ634080
 HZ631070
 HZ625071
 HZ531010
 HZ327000

iQ700, Built-in oven with added steam and microwave function, 60 x 60 cm, Stainless steel HN678GES6B

Features

Design

- 5.7" TFT touchDisplay Plus
- Cavity inner surface: enamel anthracite
- Drop down oven door, softClose, softOpen
-
- Stainless steel control dial
- Bar handle
- We recommend you to choose complementary products within iQ700, in order to assure an optimal design combination of your Built-In appliances.

Features

- Intelligent microwave inverter technology: For optimised results maximum output power will be regulated to 600 W when used in longer operation for gentler cooking.
- Digital temperature display with proposal
- Actual temperature display
- Heating-up indicator
- Temperature probe
-
- Electronic door lock
- Control panel lock
- Automatic safety switch off
- Residual heat indicator
- Start button
- Door contact switch
-
- WLAN - Home connect enabled
- cookControl Plus
- bakingSensor
- roastingSensor Plus
-
- Electronic oven clock timer
- Multilevel LED Illumination, LED light, Light on/off when door opened/closed
- Tank empty indicator
- Integral cooling fan
- 5 shelf positions in oven

Cleaning

- activeClean

Programmes/functions

- Oven with microwave with 15 PC heating methods: 4D hot air, hotairGentle, conventional top & bottom heating, Conventional heat Gentle, hot air grilling, full width grill, half width grill, Pizza setting, coolStart, bottom heat, intensive conventional heat, low temperature cooking, keep warm, dehydrate, plate warming
- Additional heating methods with steam: reheating with steam, Dough proving
- Additional heating methods with microwave: Microwave, Combi microwave variable, Dough proving, reheating with steam
- Fast preheat

Accessories

- 1 x combination grid, 1 x universal pan

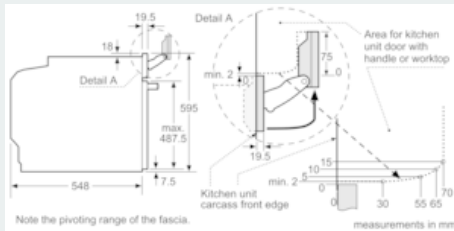
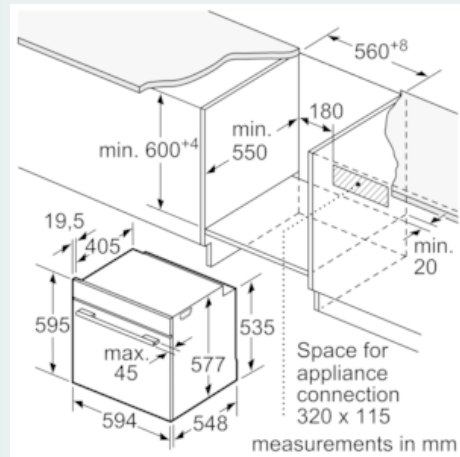
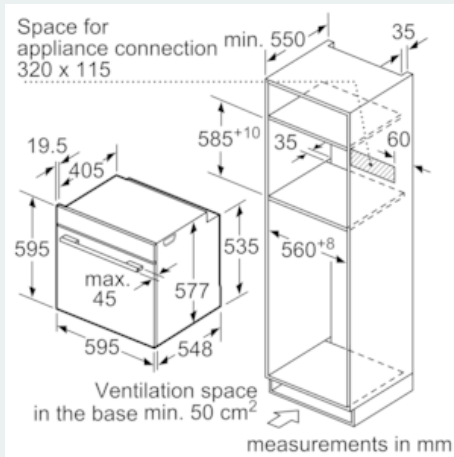
Technical information

- Cavity volume: 67 litres

- 1 l Water tank capacity:
- Temperature range 30 °C - 275 °C
- Location of water tank: Outside cavity
- Total connected load electric: 3.6 KW
- 120 cm Cable length
- Nominal voltage: 220 - 240 V
- Appliance dimension (hxwxd): 595 mm x 594 mm x 548 mm
- Niche dimension (hxwxd): 585 mm - 595 mm x 560 mm - 568 mm x 550 mm
- Please refer to the dimensions provided in the installation manual

**iQ700, Built-in oven with added steam and microwave function, 60 x 60 cm,
Stainless steel
HN678GES6B**

Dimensioned drawings



If the appliance will be installed underneath a hob, the following worktop thicknesses (including substructure if necessary) must be taken into account.

Hob type	min. worktop thickness	
	fitted	flush
Induction hob	37 mm	38 mm
Full surface Induction hob	47 mm	48 mm
Gas hob	30 mm	38 mm
Electric hob	27 mm	30 mm