

iQ700, Built-in oven with microwave function, 60 x 60 cm, Stainless steel HM678G4S6B



Shorten your cooking time thanks to varioSpeed, fast preheat and activeClean. And remote your oven from anywhere with Home Connect.

- ✓ varioSpeed: reduce cooking times by up to 50%.
- ✓ fast preheat: reach the required baking temperature sooner; coolStart: no need to preheat the oven for deep frozen food.
- ✓ activeClean: the automatic system for effortless cleaning.
- ✓ cookControl Plus: guaranteed success for numerous dishes.
- ✓ TFT Touchdisplay Plus: clear text display and intuitive operation.

Features

Technical Data

Type of micro-wave oven : MW-Combi
 Type of control : Electronic
 Color / Material Front : Stainless steel
 Dimensions : 595 x 594 x 548
 Cavity dimensions (mm) : 357.0 x 480 x 392.0
 Length of electrical supply cord (cm) : 120
 Net weight (kg) : 47.321
 Gross weight (kg) : 49.7
 EAN code : 4242003769430
 Maximum micro-wave power (W) : 800
 Connection rating (W) : 3600
 Current (A) : 16
 Voltage (V) : 220-240
 Frequency (Hz) : 50; 60
 Plug type : no plug



Optional accessories

HZ915003
 HZ66X650
 HZ636000
 HZ634080
 HZ631070
 HZ625071
 HZ531010
 HZ327000

iQ700, Built-in oven with microwave function, 60 x 60 cm, Stainless steel HM678G4S6B

Features

Design

- 5.7" TFT touchDisplay Plus
- Cavity inner surface: enamel anthracite
- Drop down oven door, softClose, softOpen
-
- Multilevel LED Illumination, LED light, Light on/off when door opened/closed
- 5 shelf positions in oven
- Stainless steel control dial
- Bar handle
- We recommend you to choose complementary products within iQ700, in order to assure an optimal design combination of your Built-In appliances.

Features

- Intelligent microwave inverter technology: For optimised results maximum output power will be regulated to 600 W when used in longer operation for gentler cooking.
- Digital temperature display with proposal
- Actual temperature display
- Heating-up indicator
- Temperature probe
-
- Electronic door lock
- Control panel lock
- Automatic safety switch off
- Residual heat indicator
- Start button
- Door contact switch
-
- WLAN - Home connect enabled
- cookControl Plus
- bakingSensor
- roastingSensor Plus
-
- Electronic oven clock timer
- coolStart
- Integral cooling fan

Cleaning

- activeClean

Programmes/functions

- Oven with microwave with 15 PC heating methods: 4D hot air, hotairGentle, conventional top & bottom heating, Conventional heat Gentle, hot air grilling, full width grill, half width grill, Pizza setting, coolStart, bottom heat, intensive conventional heat, low temperature cooking, keep warm, dehydrate, plate warming
- Additional heating methods with microwave: Microwave, Combi microwave variable
- Fast preheat

Accessories

- 2 x combination grid, 1 x universal pan
- 1 level telescopic shelf, pyrolytic proof

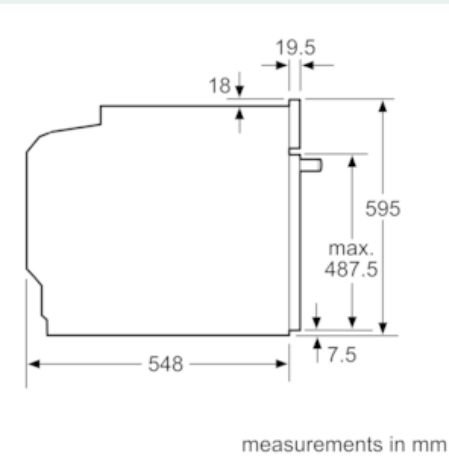
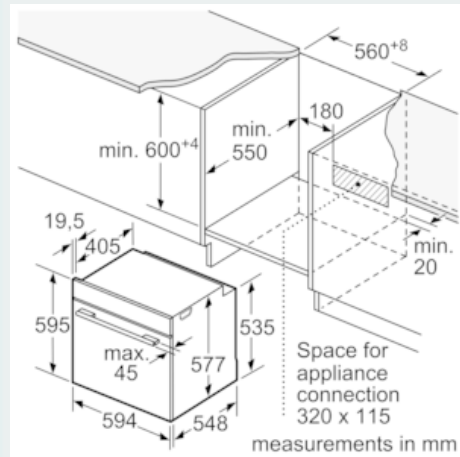
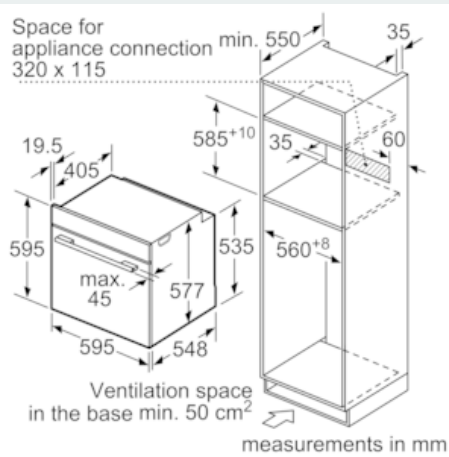
Technical information

- Cavity volume: 67 litres
- Temperature range 30 °C - 275 °C

- Total connected load electric: 3.6 KW
- 120 cm Cable length
- Nominal voltage: 220 - 240 V
- Appliance dimension (hxwxd): 595 mm x 594 mm x 548 mm
- Niche dimension (hxwxd): 585 mm - 595 mm x 560 mm - 568 mm x 550 mm
- Please refer to the dimensions provided in the installation manual

iQ700, Built-in oven with microwave function, 60 x 60 cm, Stainless steel HM678G4S6B

Dimensioned drawings



If the appliance will be installed underneath a hob, the following worktop thicknesses (including substructure if necessary) must be taken into account.

| Hob type | min. worktop thickness | |
|----------------------------|------------------------|-------|
| | fitted | flush |
| Induction hob | 37 mm | 38 mm |
| Full surface Induction hob | 47 mm | 48 mm |
| Gas hob | 30 mm | 38 mm |
| Electric hob | 27 mm | 30 mm |