

**Serie | 8, Built-in oven, 60 x 60 cm,
Stainless steel
HBG6764S6B**



A+



The built-in oven with PerfectBake and PerfectRoast: you get perfect baking and roasting results – automatically.

- **PerfectBake:** the easy way to perfect baking results.
- **PerfectRoast:** precise measurement of core temperature for a perfect roast.
- **4D HotAir:** even heat distribution for perfect results – on up to four levels simultaneously
- **BoschAssist:** automatic setting heat, temperature and time for countless dishes.
- **TFT touchscreen control:** easy-to-use thanks to the control ring with full text and images.

Technical Data

Color / Material Front :	Stainless steel
Construction type :	Built-in
Integrated Cleaning system :	Hydrolytic, Pyrolytic
Required niche size for installation (HxWxD) :	585-595 x 560-568 x 550
Dimensions :	595 x 594 x 548
Dimensions of the packed product (HxWxD) (mm) :	670 x 680 x 670
Control Panel Material :	Stainless steel
Door Material :	Glass
Net weight (kg) :	38.566
Usable volume of cavity (l) :	71
Cooking method :	Bottom heat, Conventional heat, Defrost, Full width grill, Half width grill, Hot Air-Eco, Hot air grilling, low temperature cooking, Pizza setting, pre-heating, warming
Temperature control :	electronic
Number of interior lights :	1
Approval certificates :	CE, VDE
Length of electrical supply cord (cm) :	120
EAN code :	4242002932491
Number of cavities (2010/30/EC) :	1
Energy efficiency rating :	A+
Energy consumption per cycle conventional (2010/30/EC) :	0.87
Energy consumption per cycle forced air convection (2010/30/EC) :	0.69
Energy efficiency index (2010/30/EC) :	81.2
Connection rating (W) :	3600
Current (A) :	16
Voltage (V) :	220-240
Frequency (Hz) :	50; 60
Plug type :	no plug

Included accessories

2 x combination grid
1 x universal pan

Optional accessories

HEZ327000 :
HEZ530000 :
HEZ531010 : Baking tray, non-stick ceramic coated
HEZ625071 :
HEZ631070 :
HEZ634000 :
HEZ636000 :
HEZ638370 :
HEZ915003 :



Serie | 8, Built-in oven, 60 x 60 cm, Stainless steel HBG6764S6B

The built-in oven with PerfectBake and PerfectRoast: you get perfect baking and roasting results – automatically.

Design

- 3x 2,5"-TFT colour and graphics display with direct touch function
- Drop down door, SoftClose, SoftOpen
- Bosch control wheel
- Straight bar handle
- Integral cooling fan

Features

- Home Connect ready
- Electronic door lock
Control panel lock
Automatic safety switch off
Residual heat indicator
Start button
Door contact switch
- Digital temperature display with proposal
Actual temperature display
Heating-up indicator
Temperature probe
- BoschAssist
- PerfectBake sensor
PerfectRoast meatprobe
- Electronic clock timer
- Interior halogen light, Light on/off when oven door opened/
closed
- 5 shelf positions

Cleaning

- Pyrolytic self-cleaning function
- Full glass inner door

Programmes/functions

- Oven with 13 cooking functions: heating methods: 4D Hotair, Hotair Gentle, conventional top and bottom heat, conventional heat Gentle, Hotair grilling, full width variable grill, half width grill, pizza function, bottom heat, low temperature cooking, defrost, plate warming, keep warm
- Fast pre-heating function

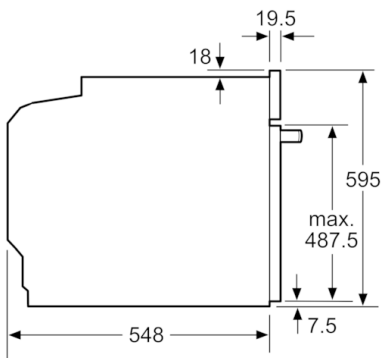
Accessories

- 1 level telescopic shelf, full extension, Stop function, pyrolytic proof
- 2 x combination grid, 1 x universal pan

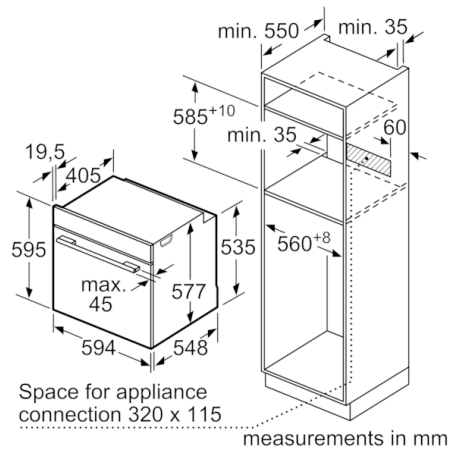
Performance/technical information

- Energy efficiency rating (acc. EU Nr. 65/2014): A+
- Energy consumption per cycle in conventional mode: 0.87 kWh
- Energy consumption per cycle in fan-forced convection mode: 0.69 kWh
- Number of cavities: Main cavity
- Heat source: electrical
- Cavity volume: 71 litre capacity
- Temperature range 30 °C - 275 °C
- 120 cm Cable length
- Total connected load electric: 3.6 KW
- Nominal voltage: 220 - 240 V
- Appliance dimension (hxwxd): 595 mm x 594 mm x 548 mm
- Niche dimension (hxwxd): 585 mm - 595 mm x 560 mm - 568 mm x 550 mm
- Please refer to the dimensions provided in the installation manual
- The built-in oven with PerfectBake and PerfectRoast: you get perfect baking and roasting results – automatically.

Serie | 8, Built-in oven, 60 x 60 cm, Stainless steel
HBG6764S6B



measurements in mm



If the appliance will be installed underneath a hob, the following worktop thicknesses (including substructure if necessary) must be taken into account.

Hob type	min. worktop thickness	
	fitted	flush
Induction hob	37 mm	38 mm
Full surface Induction hob	47 mm	48 mm
Gas hob	30 mm	38 mm
Electric hob	27 mm	30 mm

