

## iQ700, Built-in oven, 60 x 60 cm, Stainless steel HB672GBS1B



A+



- ✓ fast preheat: reach the required baking temperature sooner; coolStart: no need to preheat the oven for deep frozen food.
- ✓ activeClean: the automatic system for effortless cleaning.
- ✓ TFT Display: good readability from any perspective.
- ✓ 4D hotAir: flexible choice of shelf.
- ✓ softMove: gentle opening and closing of the oven door.

### Features

#### Technical Data

Color / Material Front : Stainless steel  
 Construction type : Built-in  
 Integrated Cleaning system : Pyrolytic  
 Required niche size for installation (HxWxD) : 585-595 x 560-568 x 550  
 Dimensions : 595 x 594 x 548  
 Dimensions of the packed product (HxWxD) (mm) : 670 x 680 x 670  
 Control Panel Material : Stainless steel  
 Door Material : Glass  
 Net weight (kg) : 37.672  
 Usable volume of cavity (l) : 71  
 Cooking method : Conventional heat, Full width grill, Hot Air-Eco, Hot air grilling, Pizza setting  
 Temperature control : electronic  
 Number of interior lights : 1  
 Approval certificates : CE, VDE  
 Length of electrical supply cord (cm) : 120  
 EAN code : 4242003672525  
 Number of cavities (2010/30/EC) : 1  
 Energy efficiency rating : A+  
 Energy consumption per cycle conventional (2010/30/EC) : 0.87  
 Energy consumption per cycle forced air convection (2010/30/EC) : 0.69  
 Energy efficiency index (2010/30/EC) : 81.2  
 Connection rating (W) : 3600  
 Current (A) : 16  
 Voltage (V) : 220-240  
 Frequency (Hz) : 60; 50  
 Plug type : no plug

#### Included accessories

- 2 x combination grid
- 1 x universal pan

#### Optional accessories

- HZ915003
- HZ66X650
- HZ638370
- HZ638170
- HZ636000
- HZ634000
- HZ631070
- HZ625071
- HZ531010
- HZ327000



## iQ700, Built-in oven, 60 x 60 cm, Stainless steel HB672GBS1B

### Features

#### Design

- 2.8" TFT Display
- Cavity inner surface: enamel anthracite
- Drop down oven door, softClose, softOpen
- 
- 5 shelf positions in oven
- Stainless steel control dial
- Bar handle
- We recommend you to choose complementary products within iQ700, in order to assure an optimal design combination of your Built-In appliances.

#### Features

- coolStart
- Digital temperature display with proposal
- Actual temperature display
- Heating-up indicator
- 
- Electronic door lock
- Control panel lock
- Automatic safety switch off
- Residual heat indicator
- Start button
- Door contact switch
- 
- Electronic oven clock timer
- Interior halogen light, Light on/off when door opened/closed
- Integral cooling fan

#### Cleaning

- activeClean
- Full glass inner door

#### Programmes/functions

- Oven with 8 main functions, 8 main functions heating methods: 4D hot air, hotairGentle, conventional top & bottom heating, Conventional heat Gentle, hot air grilling, full width grill, Pizza setting, coolStart
- Fast preheat

#### Accessories

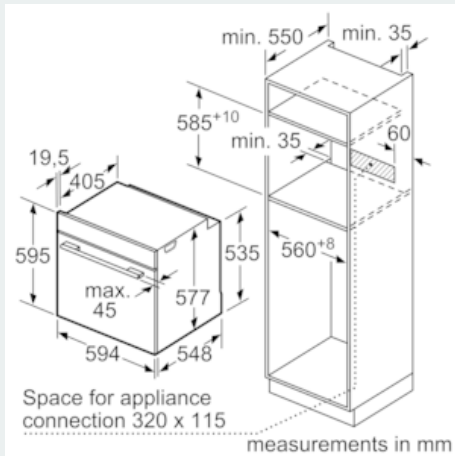
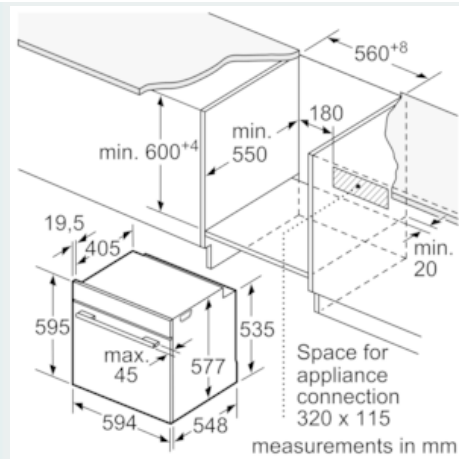
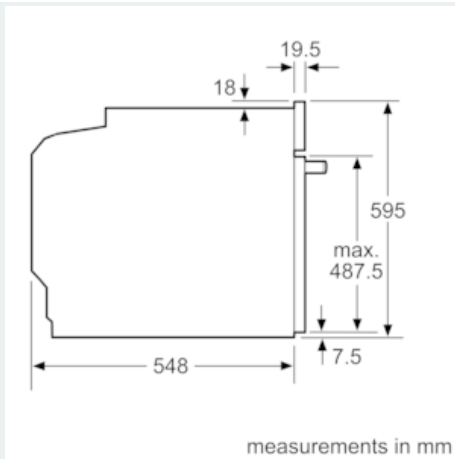
- 1 x universal pan, 2 x combination grid

#### Technical information

- Energy efficiency rating (acc. EU Nr. 65/2014): A+
- Energy consumption per cycle in conventional mode: 0.87 kWh
- Energy consumption per cycle in fan-forced convection mode: 0.69 kWh
- Number of cavities: Main cavity
- Heat source: electrical
- Cavity volume: 71 litres
- Temperature range 30 °C - 275 °C
- Total connected load electric: 3.6 KW
- 120 cm Cable length
- Nominal voltage: 220 - 240 V
- Appliance dimension (hxwxh): 595 mm x 594 mm x 548 mm
- Niche dimension (hxwxh): 585 mm - 595 mm x 560 mm - 568 mm x 550 mm
- Please refer to the dimensions provided in the installation manual

**iQ700, Built-in oven, 60 x 60 cm,  
Stainless steel  
HB672GBS1B**

Dimensioned drawings



If the appliance will be installed underneath a hob, the following worktop thicknesses (including substructure if necessary) must be taken into account.

Hob type	min. worktop thickness	
	fitted	flush
Induction hob	37 mm	38 mm
Full surface Induction hob	47 mm	48 mm
Gas hob	30 mm	38 mm
Electric hob	27 mm	30 mm