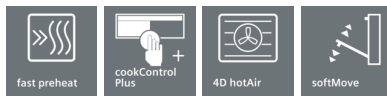


iQ700, Built-in oven, 60 x 60 cm, Stainless steel HB656GBS6B



- ✓ fast preheat: reach the required baking temperature sooner; coolStart: no need to preheat the oven for deep frozen food.
- ✓ cookControl Plus: guaranteed success for numerous dishes.
- ✓ 4D hotAir: flexible choice of shelf.
- ✓ softMove: gentle opening and closing of the oven door.
- ✓ Remote Diagnostics: Let our professionals analyse appliance problems via remote access.

Features

Technical Data

Color / Material Front : Stainless steel
 Construction type : Built-in
 Integrated Cleaning system : Catalytic all sides, Hydrolytic
 Required niche size for installation (HxWxD) : 585-595 x 560-568 x 550
 Dimensions : 595 x 594 x 548
 Dimensions of the packed product (HxWxD) (mm) : 670 x 680 x 670
 Control Panel Material : Stainless steel
 Door Material : Glass
 Net weight (kg) : 35.340
 Usable volume of cavity (l) : 71
 Cooking method : Bottom heat, Conventional heat, Full width grill, Half width grill, Hot Air-Eco, Hot air grilling, low temperature cooking, Pizza setting, pre-heating, warming
 Temperature control : electronic
 Number of interior lights : 1
 Approval certificates : CE, VDE
 Length of electrical supply cord (cm) : 120
 EAN code : 4242003794630
 Number of cavities (2010/30/EC) : 1
 Energy efficiency rating : A+
 Energy consumption per cycle conventional (2010/30/EC) : 0.87
 Energy consumption per cycle forced air convection (2010/30/EC) : 0.69
 Energy efficiency index (2010/30/EC) : 81.2
 Connection rating (W) : 3600
 Current (A) : 16
 Voltage (V) : 220-240
 Frequency (Hz) : 60; 50
 Plug type : no plug

Optional accessories

HZ915003
 HZ66X650
 HZ638300
 HZ638100
 HZ636000
 HZ634000
 HZ631070
 HZ625071
 HZ531010
 HZ327000



4 242003 794630

iQ700, Built-in oven, 60 x 60 cm, Stainless steel HB656GBS6B

Features

Design

- 3.7" TFT touchDisplay
- Stainless steel control dial
- Drop down oven door, softClose, softOpen
- Bar handle
- LED light, Light on/off when door opened/closed
- 5 shelf positions in oven
- Cavity inner surface: enamel anthracite

Features

- Electronic oven clock timer
- Digital temperature display with proposal
- Actual temperature display
- Heating-up indicator
- cookControl Plus
- coolStart
- Integral cooling fan
- WLAN - Home connect enabled
- Control panel lock
- Automatic safety switch off
- Residual heat indicator
- Start button
- Door contact switch

Cleaning

- EcoClean Direct : ceiling, back panel, side liners
- ecoClean programme

Programmes/functions

- Oven with 13 main functions heating methods: 4D hot air, hotairGentle, conventional top & bottom heating, Conventional heat Gentle, hot air grilling, full width grill, half width grill, Pizza setting, coolStart, bottom heat, low temperature cooking, keep warm, plate warming
- Temperature range 30 °C - 275 °C
- Fast preheat

Accessories

- 2 x combination grid, 1 x universal pan

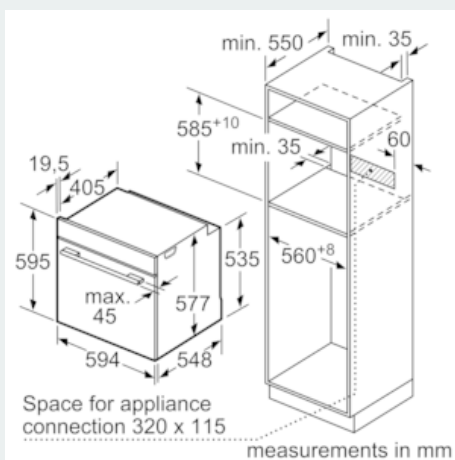
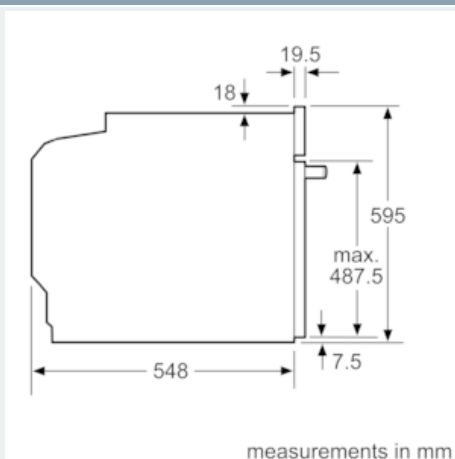
Performance/technical information

- Energy efficiency rating (acc. EU Nr. 65/2014): A+
- Energy consumption per cycle in conventional mode: 0.87 kWh
- Energy consumption per cycle in fan-forced convection mode: 0.69 kWh
- Number of cavities: Main cavity
- Heat source: electrical
- Cavity volume: 71 litres
- 120 cm Cable length
- Nominal voltage: 220 - 240 V
- Total connected load electric: 3.6 KW
- Appliance dimension (hxwx): 595 mm x 594 mm x 548 mm
- Niche dimension (hxwx): 585 mm - 595 mm x 560 mm - 568 mm x 550 mm
- Please refer to the dimensions provided in the installation manual

- We recommend you to choose complementary products within iQ700, in order to assure an optimal design combination of your Built-In appliances.

**iQ700, Built-in oven, 60 x 60 cm,
Stainless steel
HB656GBS6B**

Dimensioned drawings



If the appliance will be installed underneath a hob, the following worktop thicknesses (including substructure if necessary) must be taken into account.

Hob type	min. worktop thickness	
	fitted	flush
Induction hob	37 mm	38 mm
Full surface Induction hob	47 mm	48 mm
Gas hob	30 mm	38 mm
Electric hob	27 mm	30 mm