

iQ500, Built-in oven, 60 x 60 cm, Stainless steel HB535A0S0B



Shorten your cooking time thanks to fast preheat.

- ✓ fast preheat: reach the required cooking temperature sooner.
- ✓ ecoClean: Cut down on oven cleaning
- ✓ cookControl10: automatic programs ensure best results.
- ✓ lightControl: intuitive operation thanks to the illuminated dial.
- ✓ 3D hotAir: perfect baking results on up to 3 shelves thanks to innovative heat distribution.

Features

Technical Data

Color / Material Front : Stainless steel
 Construction type : Built-in
 Integrated Cleaning system : Catalytic partial
 Required niche size for installation (HxWxD) : 585-595 x 560-568 x 550
 Dimensions : 595 x 594 x 548
 Dimensions of the packed product (HxWxD) (mm) : 675 x 690 x 660
 Control Panel Material : Glass
 Door Material : Glass
 Net weight (kg) : 34.160
 Usable volume of cavity (l) : 71
 Cooking method : Conventional heat, Full width grill, Hot Air, Hotair gentle, Hot air grilling
 First cavity material : Other
 Temperature control : mechanical
 Number of interior lights : 1
 Approval certificates : CE, VDE
 Length of electrical supply cord (cm) : 120
 EAN code : 4242003815212
 Number of cavities (2010/30/EC) : 1
 Energy efficiency rating : A
 Energy consumption per cycle conventional (2010/30/EC) : 0.97
 Energy consumption per cycle forced air convection (2010/30/EC) : 0.81
 Energy efficiency index (2010/30/EC) : 95.3
 Connection rating (W) : 3600
 Current (A) : 16
 Voltage (V) : 220-240
 Frequency (Hz) : 60; 50
 Plug type : no plug

Included accessories

- 2 x combination grid
- 1 x universal pan

Optional accessories

- HZ915003
- HZ66X650
- HZ638300
- HZ634000 Baking and roasting grid (standard)
- HZ538000
- HZ531010
- HZ531000
- HZ327000



iQ500, Built-in oven, 60 x 60 cm, Stainless steel HB535A0S0B

Features

Design

- LCD Display (white)
- lightControl: intuitive operation thanks to the illuminated dials
- Cavity inner surface: enamel grey
- Stainless steel control dial, lightControl: intuitive operation thanks to the illuminated dials, round
- Bar handle
- We recommend you to choose complementary products within iQ500, in order to assure an optimal design combination of your Built-In appliances.

Features

- Heating-up indicator
- cookControl
- Automatic start
-
- Control panel lock
-
- Automatic programmes
- cookControl, 10
- Electronic oven clock timer
- Integral cooling fan
- Interior halogen light
- 5 shelf positions in oven

Cleaning

- EcoClean Direct : back panel

Programmes/functions

- Oven with 5 main functions heating methods: 3D hot air, conventional top & bottom heating, hot air grilling, full width grill, Hotair gentle
- fast preheat function

Accessories

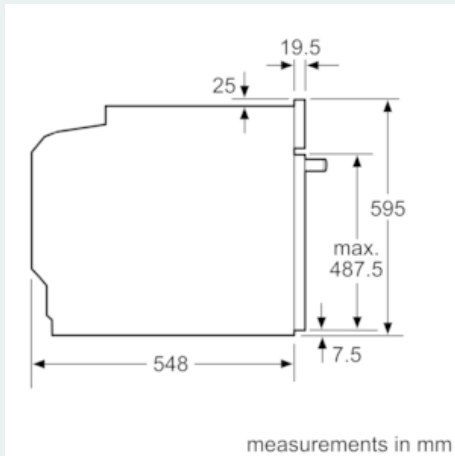
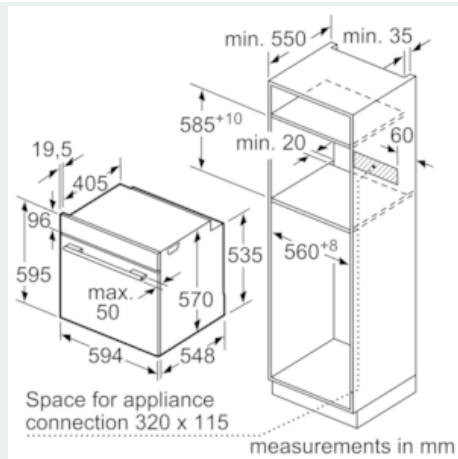
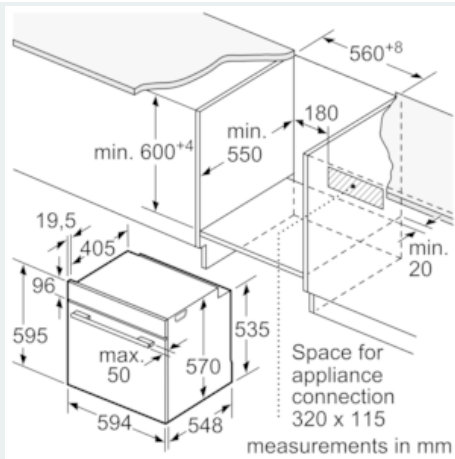
- 1 x universal pan, 2 x combination grid
- 1 varioClip rail, Stop function

Technical information

- Energy efficiency rating (acc. EU Nr. 65/2014): A
- Energy consumption per cycle in conventional mode: 0.97 kWh
- Energy consumption per cycle in fan-forced convection mode: 0.81 kWh
- Number of cavities: Main cavity
- Heat source: electrical
- Cavity volume: 71 litres
- Temperature range 50 °C - 275 °C
- Total connected load electric: 3.6 KW
- 120 cm Cable length
- Nominal voltage: 220 - 240 V
- Appliance dimension (hxwx): 595 mm x 594 mm x 548 mm
- Niche dimension (hxwx): 585 mm - 595 mm x 560 mm - 568 mm x 550 mm
- Please refer to the dimensions provided in the installation manual

**iQ500, Built-in oven, 60 x 60 cm,
Stainless steel
HB535A0S0B**

Dimensioned drawings



Installation with a hob.

