

## iQ500, Built-under freezer, 82 x 59.8 cm GU15DAFF0G



undercounter freezer with 3 handy transparent freezer drawers and superFreezing for freezing foods faster.

- ✓ The superFreezing button reduces the temperature for a set time, to quickly freeze newly added food items.
- ✓ 3 transparent freezer drawers provide plenty of space and an optimum view.
- ✓ The multiAlarm system notifies you visually and acoustically if the temperature goes up.
- ✓ The superFreezing button reduces the temperature for a set time, to quickly freeze newly added food items.

### Features

#### Technical Data

Energy Efficiency Class (Regulation (EU) 2017/1369): F  
 Average annual energy consumption in kilowatt hour per year (kWh/a) (EU) 2017/1369: 224  
 Sum of volume of frozen compartments (EU 2017/1369): 106  
 Airborne acoustical noise emissions (EU 2017/1369): 38  
 Airborne acoustical noise emission class (EU 2017/1369): C  
 Thermometer freeze section: Analog  
 Light: No  
 Product category: Upright freezer  
 Construction type: Built-in  
 Door panel options: Possible but accessory  
 Frost free system: No  
 Height of the product (mm): 820  
 Width of the appliance: 598  
 Depth of the product: 548  
 Dimensions of the packed product (HxWxD) (mm): 890 x 620 x 670  
 Net weight (kg): 36.771  
 Gross weight (kg): 39.7  
 Connection rating (W): 90  
 Current (A): 13  
 Frequency (Hz): 50  
 Approval certificates: CE, G-Mark, VDE  
 Length of electrical supply cord (cm): 230  
 Door hinge: Right reversible  
 Storage Period in Event of Power Failure (h): 10  
 Defrost process: manual  
 Warning signal / malfunction: visual and audible  
 Lockable door: No  
 Number of drawers/baskets (Stck): 3  
 Number of freezing flaps (Stck): 0  
 EAN code: 4242003844939  
 Brand: Siemens  
 Product name / Commercial code: GU15DAFF0G  
 Product category: Upright freezer



**iQ500, Built-under freezer, 82 x 59.8  
cm  
GU15DAFF0G**

#### Features

**Included accessories**

- KF10ZAX0, KU20ZSX0

**Key features - Freezer section**

- Temperature indicator on inside of door
- Dial temperature control
- superFreeze function with automatic deactivation
- Freezer malfunction warning signal: optical, acoustical
- Ventilation through plinth
- Variable plinth adaption
- Height adjustable feet in the front
- 3 freezer drawers
- Right hinged door, reversible door
- Dimensions: 82 cm H x 59.8 cm W x 54.8 cm D
- Connection value 90 W
- 220 - 240 V
- GU15DAFF0G

**Dimension and installation**

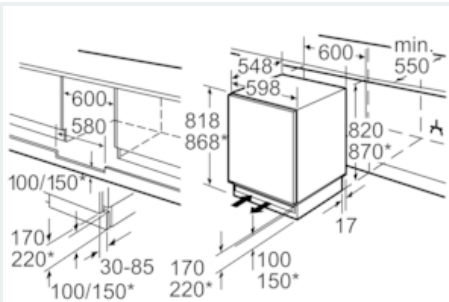
- Convenience and Safety

**Performance and Consumption**

- EU19\_EEK\_D: F
- Total Volume : 106 l
- Net Fridge Volume : 0 l
- Net Freezer Volume : 106 l
- Freezing capacity 24h : 7.4 kg
- Annual Energy Consumption: 224 kWh/a
- Climate Class: SN-T
- Noise Level : 38 dB
- Temperature rise time : EU19\_Temperature rise time\_D: 10 H

**iQ500, Built-under freezer, 82 x 59.8 cm**  
**GU15DAFF0G**

Dimensioned drawings



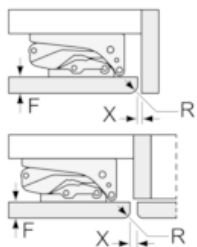
\* variable base/substructure height

Space for electrical connection next to the appliance on the left or right-hand side.  
 Ventilation space in the base.

measurements in mm

measurements in mm

Recommended gap dimensions for flat hinges



	F	R	X
16-19	0-3	2.5	3
20	2-3	2.5	3
21	2-3	2.5	3
22	1	3.5	3

The gap dimensions recommended in the table must be adhered to in order to ensure that appliance doors do not collide with anything when they are opened, and to avoid causing damage to kitchen units.