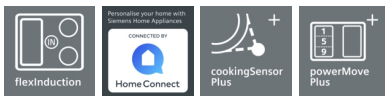
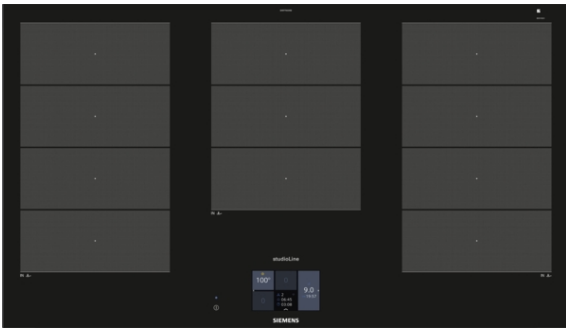


iQ700, Induction hob, 90 cm, Black EX977KXX5E



The modern induction cooktop – no more overcooking, no more burning, thanks to cookingSensor and fryingSensor Plus.

- ✓ flexInduction – Smart cooking zone that adapts to your cookware.
- ✓ For easy operation and good readability from any viewing angle - TFT Touchdisplay.
- ✓ Home Connect: Information about your cooktop, no matter where you are via smartphone or tablet.
- ✓ Precisely maintaining the chosen temperature to avoid overboiling – cookingSensor Plus.
- ✓ powerMove Plus enables intuitive control thanks to three heating zones with different temperatures, just by moving the pan

Features

Technical Data

Product name/family : Cooking zone ceramic
 Construction type : Built-in
 Energy input : Electric
 Total number of positions that can be used at the same time : 5
 Required niche size for installation (HxWxD) : 51 x 880-880 x 490-500 mm
 Width of the appliance : 912 mm
 Dimensions : 51 x 912 x 520 mm
 Dimensions of the packed product (HxWxD) : 126 x 1073 x 608 mm
 Net weight : 22.213 kg
 Gross weight : 24.0 kg
 Residual heat indicator : Separate
 Location of control panel : Hob front
 Color of surface : Black
 Approval certificates : AENOR, CE
 Length of electrical supply cord : 110 cm
 EAN code : 4242003838167
 Electrical connection rating : 11100 W
 Voltage : 220-240 V
 Frequency : 50; 60 Hz



Included accessories

- 1 x adjustment strip 750 - 780 mm
- 1 x wireless temperature sensor for cooktop

Optional accessories

- HZ9SE030 Set of 2 pots and 1 pan
- HZ394301 Connecting strip
- HZ390522 Griddle Plate
- HZ390512 Teppan Yaki (large)
- HZ39050 Wireless temperature sensor for cooktop
- HZ390012 Steaming Rack for Stainless Steel roaste
- HZ390011 Stainless Steel roaster with glas lid

iQ700, Induction hob, 90 cm, Black EX977KXX5E

Features

Design

- 90 cm: space for 5 pots or pans.

Flexibility of cooking zones

- 3 x flexInduction zones: use cookware of any shape or size anywhere within the 40cm long zone.
- Cooking zone front left: 200 mm, 240 mm, 2.2 KW (max. power 3.7 KW)
- Cooking zone rear left: 200 mm, 240 mm, 2.2 KW (max. power 3.7 KW)
- Cooking zone middle: 240 mm, 300 mm, 2.6 KW (max. power 3.7 KW)
- Cooking zone rear right: 200 mm, 240 mm, 2.2 KW (max power 3.7 KW)
- Cooking zone front right: 200 mm, 240 mm, 2.2 KW (max. power 3.7 KW)

Usage convenience

- fullTouch TFT Display: easily operate the hob using the touch display and explore all available functions thanks to full-text information and images.
- 17 power levels: precisely adapt the heat with 17 power levels (9 main levels and 8 intermediate levels).
- Keep warm function: keep dishes warm at preset low power level.
- Timer for all zones
- : switches off the cooking zone at the end of the time set (e.g. for boiled eggs).
- Acoustic signal
- : an alarm sounds at the end of the time set (e.g. for pasta).
- Count up timer
- : shows how much time has passed since starting the timer (e.g. for potatoes).

Time saving & efficiency

- Power boost setting
- : boil water faster thanks to 50% more energy than at the highest standard level.
- panBoost: heat up pans faster than at the highest standard level while protecting the pan coating.
- powerMove plus: increase or decrease the power level simply by moving the pot forwards or backwards.
- flexMotion: when moving a pot to a different cooking zone, this feature transfers all previous settings to the new zone at the touch of a button.
- quickStart function: when switching on, the hob automatically selects the cooking zone with cookware (when placed on a zone whilst the hob is off).
- reStart function: in case of unintentional switch-off, this feature restores all previous settings by switching on the hob again within 4 seconds.

Cooking assistance

- cookControl Plus: easily find the right temperature setting for a certain dish in the touch display.
- 1 x cookingSensor Plus included: prevents overboiling of pots with the automatic temperature regulation of the sensor (attached to the pot).
- 5 frying and 5 cooking levels: prevents overcooking with the automatic temperature regulation of the integrated sensor.

Connectivity

- Home Connect - enables Remote Monitoring no matter where you are, with the easy-to-use Home Connect App: check if the hob is switched off even when not at home, and find recipes or additional functions in the Home Connect app.
- cookConnect - hood control (with Wi-Fi enabled hood): automatically activates the hood when cooking, thanks to the WiFi connection of hob and suitable hood.

Safety

- 2 stage residual heat indicators: indicates which cooking zones are still hot or warm.
- Control panel lock: prevent unintended activation of the hob.
- Control panel pause: wipe overboiled liquids without unintentionally changing settings (blocking all touch buttons for 30 seconds).
- Main on/off switch: switch off all cooking zones at the touch of a button.
- Automatic safety switch off: for safety reasons, heating stops after a preset time if not used (possible to customise).
- Energy Consumption Display: shows the electricity consumption of the last cooking process.

Installation

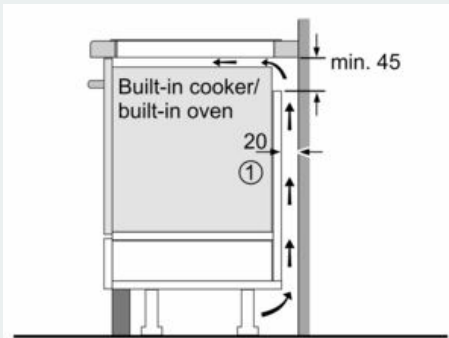
- Dimensions of the product (HxWxD mm): 51 x 912 x 520
- Required niche size for installation (HxWxD mm) : 51 x 880 x (490 - 500)
- Min. worktop thickness: 16 mm
- Connected load: 11.1 KW
- Connection current management (20, 16, 13, 10 Amps options): limit the maximum power if needed (depends on fuse protection of electric installation).
- Power cord: 1.1 m, Cable included in packaging

Accessories

- 1 x wireless temperature sensor for cooktop, adjustment strip 750 - 780 mm included

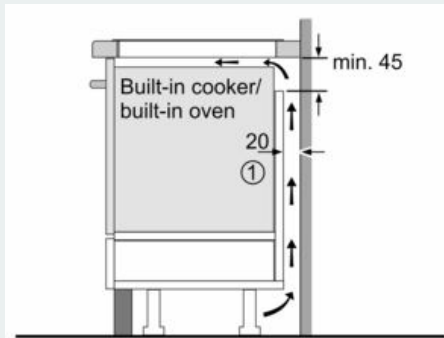
iQ700, Induction hob, 90 cm, Black
EX977KXX5E

Dimensioned drawings



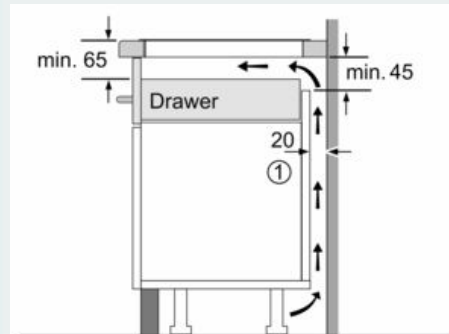
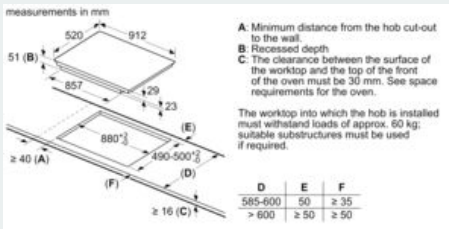
①
Ventilation gap must
be present

All measurements in mm



①
Ventilation gap must
be present

All measurements in mm



①
Ventilation gap must
be present.

Measurements in mm

