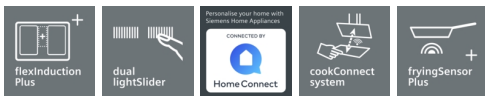


**iQ700, Induction hob, 80 cm, Black  
EX878LYV5E**



Siemens flexInduction cooktop is designed for greater flexibility when cooking

- ✓ Greater flexibility with the cooktop that adapts to your cookware and pots – flexInduction Plus.
- ✓ Select and join the cooking zones with one neatly arranged interface – Dual light slider.
- ✓ Home Connect: Information about your cooktop, no matter where you are via smartphone or tablet.
- ✓ Control different functions of your hood, like power level or light, directly from your cooktop (with matching hood) - cookConnect system.
- ✓ The fryingSensor plus controls the temperature in the pan

**Features**

**Technical Data**

Product name/family : Cooking zone ceramic  
 Construction type : Built-in  
 Energy input : Electric  
 Total number of positions that can be used at the same time : 4  
 Required niche size for installation (HxWxD) : 51 x 750-780 x 490-500 mm  
 Width of the appliance : 812 mm  
 Dimensions : 51 x 812 x 520 mm  
 Dimensions of the packed product (HxWxD) : 120 x 950 x 600 mm  
 Net weight : 18.290 kg  
 Gross weight : 19.7 kg  
 Residual heat indicator : Separate  
 Location of control panel : Hob front  
 Basic surface material : Ceramic  
 Color of surface : Black  
 Approval certificates : AENOR, CE  
 Length of electrical supply cord : 110 cm  
 EAN code : 4242003860861  
 Electrical connection rating : 7400 W  
 Voltage : 220-240 V  
 Frequency : 50; 60 Hz



**Included accessories**

1 x adjustment strip 750 - 780 mm

**Optional accessories**

- HZ9SE030 Set of 2 pots and 1 pan
- HZ394301 Connecting strip
- HZ390522 Griddle Plate
- HZ390512 Teppan Yaki (large)
- HZ390012 Steaming Rack for Stainless Steel roaste
- HZ390011 Stainless Steel roaster with glas lid

## iQ700, Induction hob, 80 cm, Black EX878LYV5E

### Features

#### Design

- Side profiles, studioLine black anodised
- zoneLight: Stylish blue LEDs dynamically illuminate the cooking zones to visually show each cooking scenario.
- 80 cm: space for 4 pots or pans.

#### Flexibility of cooking zones

- Cooking zones will be automatically joined or separated based on the shape and size of the cookware placed.
- 2 extended flexInduction zones: use cookware of any shape or size anywhere within the 40cm long zone or even place it laterally.
- Cooking zone front left: 200 mm, 230 mm, 2.2 KW (max. power 3.7 KW)
- Cooking zone rear left: 200 mm, 230 mm, 2.2 KW (max. power 3.7 KW)
- Cooking zone rear right: 200 mm, 230 mm, 2.2 KW (max power 3.7 KW)
- Cooking zone front right: 200 mm, 230 mm, 2.2 KW (max. power 3.7 KW)

#### Usage convenience

- Dual lightSlider: directly control the power on the two illuminated touch bars (invisible when switched off).
- 17 power levels: precisely adapt the heat with 17 power levels (9 main levels and 8 intermediate levels).
- Keep warm function: keep dishes warm at preset low power level.
- Timer for all zones
- : switches off the cooking zone at the end of the time set (e.g. for boiled eggs).
- Acoustic signal
- : an alarm sounds at the end of the time set (e.g. for pasta).
- Count up timer
- : shows how much time has passed since starting the timer (e.g. for potatoes).

#### Time saving & efficiency

- Power boost setting
- : boil water faster thanks to 50% more energy than at the highest standard level.
- panBoost: heat up pans faster than at the highest standard level while protecting the pan coating.
- powerMove plus: increase or decrease the power level simply by moving the pot forwards or backwards.
- flexMotion: when moving a pot to a different cooking zone, this feature transfers all previous settings to the new zone at the touch of a button.
- quickStart function: when switching on, the hob automatically selects the cooking zone with cookware (when placed on a zone whilst the hob is off).
- reStart function: in case of unintentional switch-off, this feature restores all previous settings by switching on the hob again within 4 seconds.

#### Cooking assistance

- fryingSensor plus with 5 temperature settings: prevents overcooking with the automatic temperature regulation of the integrated sensor.
- Dish assistant: easily find the right temperature setting for a certain dish via the home connect app.

#### Connectivity

- Home Connect - enables Remote Monitoring no matter where you are, with the easy-to-use Home Connect App: check if the hob is switched off even when not at home, and find recipes or additional functions in the Home Connect app.
- cookConnect - hood control (with Wi-Fi enabled hood): automatically activates the hood when cooking, thanks to the WiFi connection of hob and suitable hood.

#### Safety

- 2 stage residual heat indicators: indicates which cooking zones are still hot or warm.
- Control panel lock: prevent unintended activation of the hob.
- Control panel pause: wipe overboiled liquids without unintentionally changing settings (blocking all touch buttons for 30 seconds).
- Main on/off switch: switch off all cooking zones at the touch of a button.
- Automatic safety switch off: for safety reasons, heating stops after a preset time if not used (possible to customise).
- Energy Consumption Display: shows the electricity consumption of the last cooking process.

#### Installation

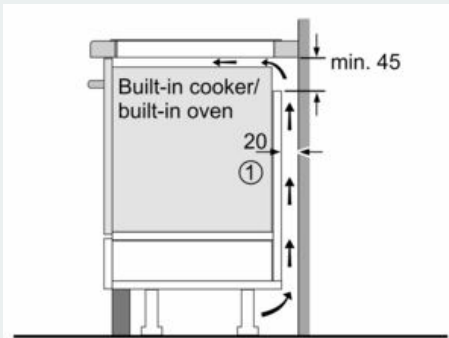
- Dimensions of the product (HxWxD mm): 51 x 812 x 520
- Required niche size for installation (HxWxD mm) : 51 x 750 x (490 - 500)
- Min. worktop thickness: 16 mm
- Connected load: 7.4 KW
- Connection current management (20, 16, 13, 10 Amps options): limit the maximum power if needed (depends on fuse protection of electric installation).
- Power cord: 1.1 m, Cable included in packaging

#### Accessories

- adjustment strip 750 - 780 mm included

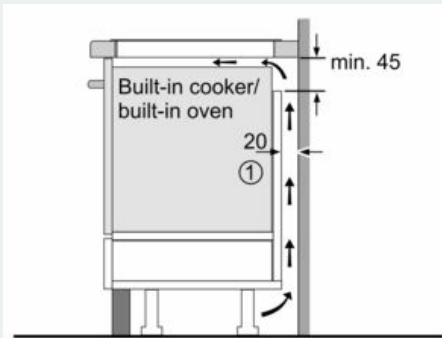
## iQ700, Induction hob, 80 cm, Black EX878LYV5E

### Dimensioned drawings



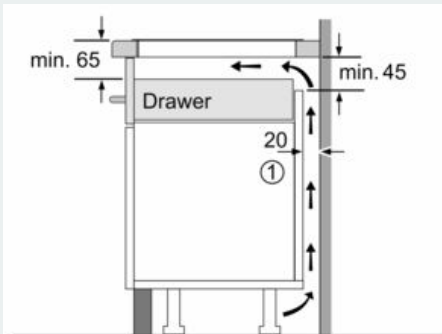
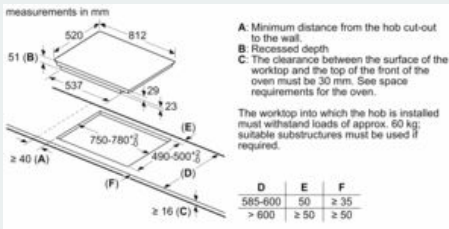
①  
Ventilation gap must  
be present

All measurements in mm



①  
Ventilation gap must  
be present

All measurements in mm



①  
Ventilation gap must  
be present.

Measurements in mm

