

iQ700, Induction hob, 90 cm, Black EX275FXB1E



Induction hob with innovative panorama format for greater flexibility when cooking.

- ✓ Always the optimal cooking zone for your cookware - flexInduction
- ✓ The touchSlider allows the hob temperature to be controlled by entering it directly or by moving the slider with a single finger.
- ✓ powerMove Plus enables intuitive control thanks to three heating zones with different temperatures, just by moving the pan
- ✓ Shorter heating times with up to 50% more power thanks to the powerBoost function.
- ✓ Timer with cooking zone shut-off function

Features

Technical Data

Product name/family : Cooking zone ceramic
 Construction type : Built-in
 Energy input : Electric
 Total number of positions that can be used at the same time : 4
 Required niche size for installation (HxWxD) : 51 x 880-880 x 330-330
 Width of the appliance : 912
 Dimensions : 51 x 912 x 350
 Dimensions of the packed product (HxWxD) (mm) : 126 x 1031 x 472
 Net weight (kg) : 14.935
 Gross weight (kg) : 16.1
 Residual heat indicator : Separate
 Location of control panel : Hob front
 Basic surface material : Ceramic
 Color of surface : Black
 Approval certificates : AENOR, CE
 Length of electrical supply cord (cm) : 110
 EAN code : 4242003701218
 Electrical connection rating (W) : 7400
 Voltage (V) : 220-240
 Frequency (Hz) : 60; 50

Optional accessories

HZ9SE030	
HZ9LP200	
HZ9LP160	
HZ9CF260	
HZ394301	
HZ390522	Griddle Plate
HZ390512	Teppan Yaki (large)
HZ390012	
HZ390011	Stainless Steel roaster with glas lid



4 242003 701218

iQ700, Induction hob, 90 cm, Black EX275FXB1E

Features

Design

- touchSlider control
- 912 mm
- Stainless Steel side trim with bevelled front edge

Special features

- 2 flexInduction zones
- 4 induction cooking zones
- quickStart function
- reStart function
- Timer for all zones
- Acoustic signal
-
- 17 power levels
- Power boost setting
- Energy Consumption Display

Safety Features

- Automatic pan recognition
- Automatic safety switch off
- Control panel lock
- Control panel pause
-
- 2 stage residual heat indicators
- Main on/off switch

Power and size

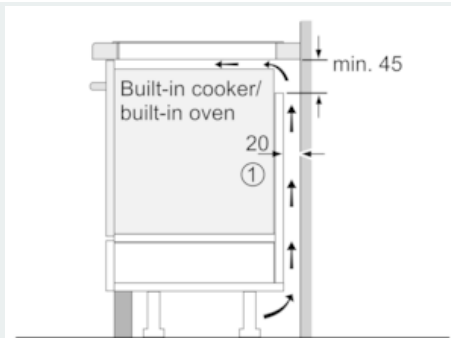
- Cooking zones: 1 x Ø 210 mmx400 mm, 3.3 KW (max. Power levels 3.7 KW) Induction or 2 x Ø 200 mm, 2.2 KW (max. Power levels 3.7 KW) Induction; 1 x Ø 210 mmx400 mm, 3.3 KW (max. Power levels 3.7 KW) Induction or 2 x Ø 200 mm, 2.2 KW (max. Power levels 3.7 KW) Induction

Technical information

- Appliance dimensions: (W/D) 912 mm x 350 mm
- Installation dimensions: (ID/W/D) 51 mm x 880 mm x 330 mm
- Min. worktop thickness: 16 mm
- Connected load: 7.4 KW
- Connection cable 110 cm
- Cable included in packaging

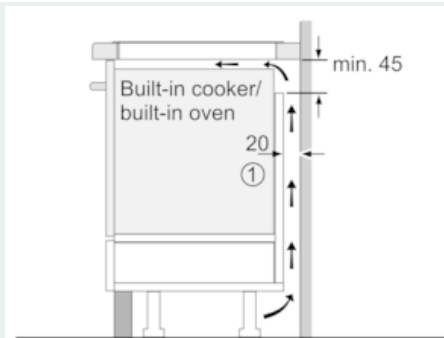
iQ700, Induction hob, 90 cm, Black
EX275FXB1E

Dimensioned drawings



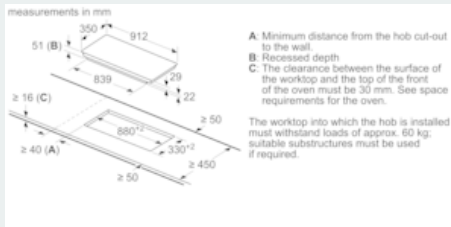
① Ventilation gap must be present

All measurements in mm

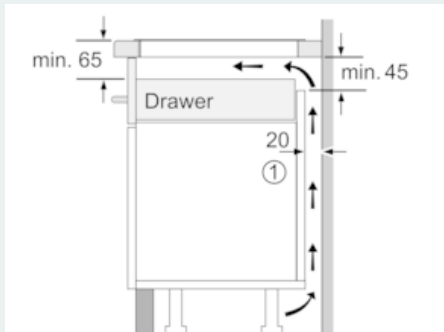


① Ventilation gap must be present

All measurements in mm



A Minimum distance from the hob cut-out to the wall.
B Recessed depth.
C The clearance between the surface of the worktop and the top of the front of the oven must be 30 mm. See space requirements for the oven.



① Ventilation gap must be present.

Measurements in mm

