

iQ500, Modular Teppan Yaki, 40 cm ET475FYB1E



Very fast heating and great for flash-frying, the Teppan yaki is design for traditional Japanese cooking at home.

- ✓ The 40 cm wide teppanyaki is ideal for combining with other Domino or faceted design cooktops to create a bespoke cooking area.
- ✓ Depending on the requirements and quantities the two cooking zones can be heated together or seperately.
- ✓ The touchSlider allows the hob temperature to be controlled by entering it directly or by moving the slider with a single finger.
- ✓ Easily keeps all dishes at a warm 70°C.
- ✓ Heats to 40°C so that grease deposits can be removed more easily.

Features

Technical Data

Product name/family : Vario/Domino Teppan Yaki
 Construction type : Built-in
 Energy input : Electric
 Type of control : Electronic
 Grill grating material : N/A
 Required niche size for installation (HxWxD) : 90 x x
 Width of the appliance : 392
 Dimensions : 90 x 392 x 520
 Dimensions of the packed product (HxWxD) (mm) : 240 x 480 x 610
 Net weight (kg) : 10.231
 Gross weight (kg) : 12.3
 Residual heat indicator : Separate
 Location of control panel : Hob front
 Basic surface material : N/A
 Color of surface : Alu, brushed, Stainless steel
 Approval certificates : Australia Standards, CE, Eurasian, Ukraine, VDE
 Length of electrical supply cord (cm) : 100
 EAN code : 4242003689127
 Electrical connection rating (W) : 1900
 Current (A) : 13
 Voltage (V) : 220-240
 Frequency (Hz) : 50; 60

Optional accessories

HZ394301



iQ500, Modular Teppan Yaki, 40 cm ET475FYB1E

Features

Design

- Stainless Steel side trim with bevelled front edge
- Can be installed with a Siemens domino hob
- Removable ceramic black glass cover

Special features

- Stainless steel cooking surface
- 2 cooking zones
- touchSlider
- Electronic power level display, red
- Thermostat can be set between 160-240 °C in steps of 10°
- Special level for keeping warm (70°C)
- Special level for cleaning (40°C)
- Acoustic signal
- Count up timer
- Control panel pause
- reStart function
- 2 spatulas included

Safety Features

- Main on/off switch
- Power on indicator
- Symbol displayed for heat up phase
- 2-fold residual heat indication
- Individual energy consumption display

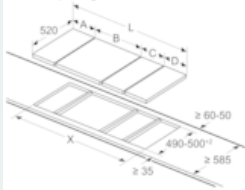
Technical information

- Cable included
- Connection cable Power cord length 100 cm
- Min. worktop thickness: 30 mm

iQ500, Modular Teppan Yaki, 40 cm
ET475FYB1E

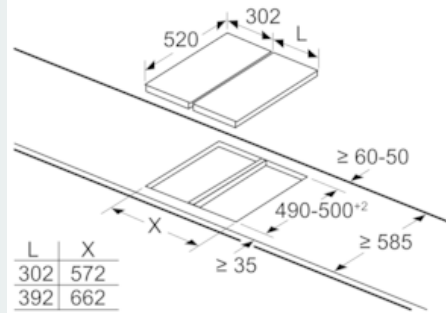
Dimensioned drawings

measurements in mm
Picture for the table Domino combination possibilities with corresponding devices and cutout dimensions



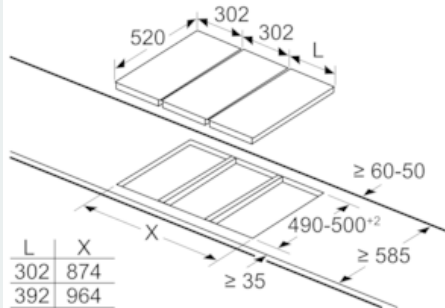
If two or more elements are installed right next to one another, one or several installation kits are required (2 elements 1 installation kit, 3 elements 2 installation kits, etc.).
Cutout dimension (X) depending on the combination see table:

measurements in mm



When installing two or more Domino units side-by-side, one or more assembly kits are required (2 units = 1 assembly kit, 3 units = 2 assembly kits, etc.).

measurements in mm



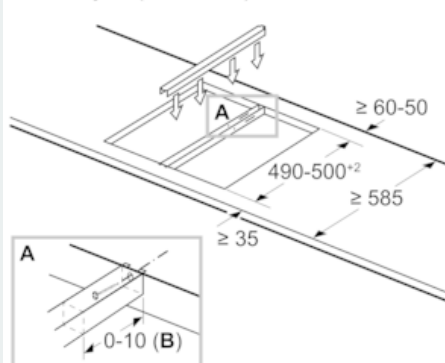
When installing two or more Domino units side-by-side, one or more assembly kits are required (2 units = 1 assembly kit, 3 units = 2 assembly kits, etc.).

measurements in mm
Domino combination options with corresponding appliance and cut-out dimensions

	Width category:									
	30	40	60	70	80	90				
Appliance width:	302	392	602	710	812	912				
	A	B	C	D	L	X				
2x30	302	302	-	-	604	572				
1x30, 1x40	302	392	-	-	694	662				
1x30, 1x60	302	602	-	-	904	872				
1x30, 1x70*	302	710	-	-	1012	980				
1x30, 1x80	302	812	-	-	1114	1082				
1x30, 1x90	302	912	-	-	1214	1182				
2x40	392	392	-	-	784	752				
1x40, 1x60	392	602	-	-	994	962				
1x40, 1x70*	392	710	-	-	1102	1070				
1x40, 1x80	392	812	-	-	1204	1172				
1x40, 1x90	392	912	-	-	1304	1272				
3x30	302	302	302	-	906	874				
2x30, 1x40	302	302	392	-	996	964				
2x30, 1x60	302	302	602	-	1206	1174				
2x30, 1x70*	302	302	710	-	1314	1282				
2x30, 1x80	302	302	812	-	1416	1384				
2x30, 1x90	302	302	912	-	1516	1484				
1x30, 2x40	302	392	392	-	1086	1054				
1x30, 1x40, 1x60	302	392	602	-	1286	1264				
1x30, 1x40, 1x70*	302	392	710	-	1404	1372				
1x30, 1x40, 1x80	302	392	812	-	1506	1474				
1x30, 1x40, 1x90	302	392	912	-	1606	1574				
3x40	392	392	392	-	1176	1144				
2x40, 1x60	392	392	602	-	1386	1354				
4x30	302	302	302	302	1208	1176				
3x30, 1x40	302	302	302	392	1298	1266				
2x30, 2x40	302	302	392	392	1388	1356				
1x30, 3x40	302	392	392	392	1478	1446				

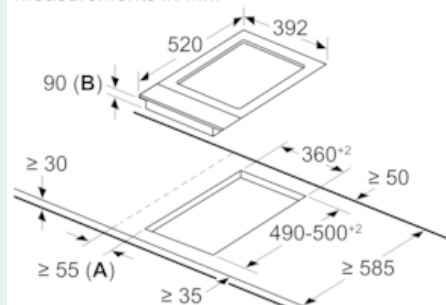
measurements in mm

Assembly kit (HZ394301) for Domino



B: Dependent on the cut-out depth

measurements in mm



A: Minimum distance from the hob cut-out to the wall
B: Maximum recessed depth