

**Serie | 8, Wall-mounted cooker hood,  
90 cm, clear glass black printed  
DWK98PR60B**

**A<sup>+</sup>**



**Angled hood: perfect for keeping an eye on your pots and pans.**

- **PerfectAir sensor:** automatic control of settings for maximum extractor performance with minimal noise.
- **Extra quiet:** maximum extractor performance with minimal noise.
- **Easy-to-clean interior:** hidden screws and cables along with rounded edges make cleaning easy.
- Manage your appliances with your voice, thanks to the Amazon Alexa voice control.\*
- **Hob Hood Control:** now you never need to touch the hood again. The fan speed or lights of the hood can be conveniently controlled directly from the hob (with selected Wi-Fi enabled hobs).

**Technical Data**

Typology :	Chimney
Approval certificates :	CE, VDE
Length of electrical supply cord (cm) :	130
Height of product, without chimney (mm) :	323
Minimum distance above an electric hob :	450
Minimum distance above a gas hob :	600
Net weight (kg) :	20.701
Type of control :	Electronic
Number of speed settings :	3-stage + 2 intensive
Maximum output air extraction (m <sup>3</sup> /h) :	468
Boost position output recirculating (m <sup>3</sup> /h) :	703.0
Maximum output recirculating air (m <sup>3</sup> /h) :	459
Boost position air extraction (m <sup>3</sup> /h) :	837
Number of lights (Stck) :	2
Noise level (dB(A) re 1 pW) :	55
Diameter of air outlet (mm) :	120 / 150
Grease filter material :	Washable aluminium
EAN code :	4242002966748
Connection rating (W) :	166
Current (A) :	10
Voltage (V) :	220-240
Frequency (Hz) :	50; 60
Plug type :	GB plug
Installation type :	Wall-mounted

**Optional accessories**

DWZ0AK0R0 :  
DWZ0AK0S0 :  
DWZ0AX5K0 :  
DWZ0AX5L0 :  
DWZ1AX5C6 :  
DWZ1AX6E1 :  
DZZ0XX0P0 :  
DZZ1XX1B6 :



## Serie | 8, Wall-mounted cooker hood, 90 cm, clear glass black printed DWK98PR60B

### Angled hood: perfect for keeping an eye on your pots and pans.

- Dimensions recirculating (HxWxD): 1017-1287 x 894 x 548 mm

#### Key performance features:

- Energy Efficiency Class: A+ (at a range of energy efficiency classes from A+++ to D)
- Extraction rate according to EN 61591  $\varnothing$  15 cm:  
max. Normal use 467 m<sup>3</sup>/h  
Intensive 837 m<sup>3</sup>/h
- Noise max. Normal Level: Noise, max. speed in normal us: 55 dB dB\*

#### Home Connect: Remote Monitoring and Control

- The Home Connect functionality can be extended by integrating numerous applications from external cooperation partners (partnerships)
- Voice Control enabled via popular voice assistants (only in countries where this service is available)

#### Features

- Hob based hood control
- PerfectAir sensor
- Additional noise reduction insulation
- TouchControl with lightline
- 3 power levels and 2 intensive settings
- Automatic intensive revert (6mins)
- 2 x 3W LED light
- Colour Temperature: 3500 K
- Dimmer function
- Efficient BLDC-technology
- Automatic after running (Automatic after running (10 min))
- 2 removable metal grease filter cassettes
- Saturation indicator for metal and charcoal filter
- easy to clean Inner frame
- Rim ventilation
- Designed for wall mounted installation

#### Design

- Chimney extractor hood
- TouchControl
- Electronic control
- Efficient BLDC technology

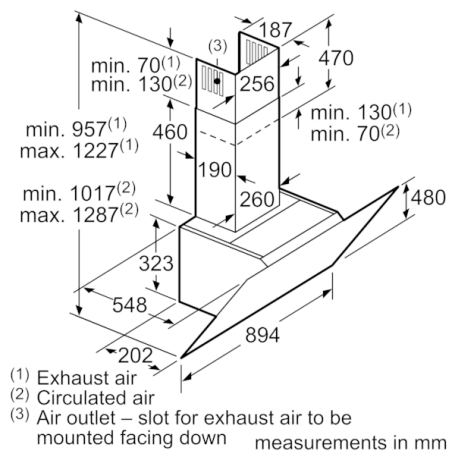
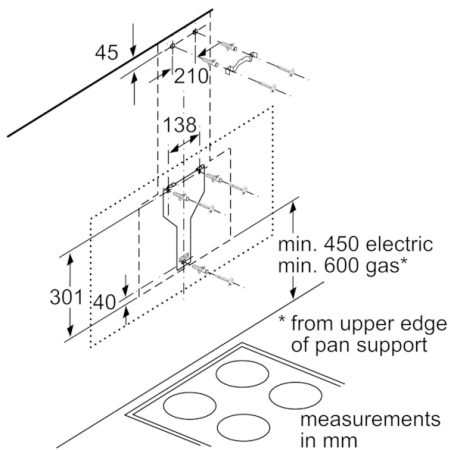
#### Performance/technical information

- Easy installation system
- Suitable for ducted or recirculating operation
- For recirculated extraction recirculating kit or CleanAir recirculating kit (accessory) needed
- Extraction rate according to EN 61591 max. 837 m<sup>3</sup>/h
- Noise level according to EN 60704-3 and EN 60704-2-13 exhaust air:  
Max. normal use: 55 dB(A) re 1 pW  
Intensive: 67 dB(A) re 1 pW
- Power rating: 166 W
- Light Intensity: 519 lux
- Electrical cable length 1.3 m
- Blower Efficiency Class: A\*
- Lighting Efficiency Class: A\*
- Grease Filtering Efficiency Class: B\*
- Average Energy Consumption: 31.5 kWh/year\*
- Diameter pipe  $\varnothing$  150 mm ( $\varnothing$  120 mm enclosed)
- Dimensions exhaust air (HxWxD): 957-1227 x 894 x 548 mm
- Dimensions recirculating with CleanAir module (HxWxD):  
1147 x 894 x 548 mm - mounting with outer chimney  
1217-1487 x 894 x 548 mm - mounting with telescopic chimney

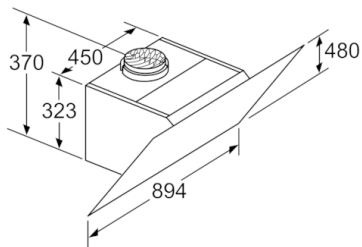
#### Optional accessories

- Recirculating kit DWZ0AK0R0
- \* In accordance with the EU-Regulation No 65/2014

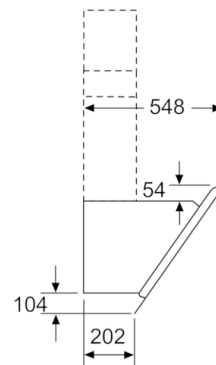
**Serie | 8, Wall-mounted cooker hood, 90 cm,  
clear glass black printed  
DWK98PR60B**



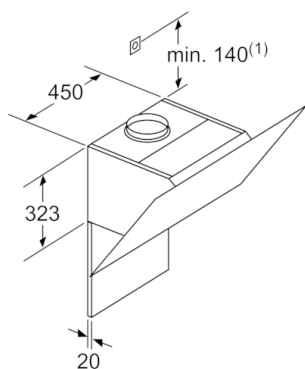
(1) Exhaust air  
(2) Circulated air  
(3) Air outlet – slot for exhaust air to be mounted facing down  
measurements in mm



Appliance in circulated air mode  
without duct  
Circulated air set required  
measurements in mm



measurements in mm



(1) Position of socket

Note the maximum thickness of the back panel.  
measurements in mm

