

**Serie | 6, Wall-mounted cooker hood,
90 cm, clear glass black printed
DWK97JQ60B**

A



Optional accessories

DWZ0AK0R0 :
DWZ0AK0S0 :
DWZ0AX5K0 :
DWZ0AX5L0 :
DWZ1AX5C6 :
DWZ1AX6E1 :
DZZ0XX0P0 :
DZZ1XX1B6 :

Angled hood: perfect for keeping an eye on your pots and pans.

- **PerfectAir sensor:** automatic control of settings for maximum extractor performance with minimal noise.
- **DirectSelect control:** direct selection of desired settings and light.
- **Extra quiet:** maximum extractor performance with minimal noise.
- **Easy-to-clean interior:** hidden screws and cables along with rounded edges make cleaning easy.
- **Grease filtration level:** filters out over 85% of the grease from kitchen air.

Technical Data

Typology :	Chimney
Approval certificates :	CE, VDE
Length of electrical supply cord (cm) :	130
Height of product, without chimney (mm) :	323
Minimum distance above an electric hob :	450
Minimum distance above a gas hob :	600
Net weight (kg) :	23.554
Type of control :	Electronic
Number of speed settings :	3-stage + 2 intensive
Maximum output air extraction (m ³ /h) :	431
Boost position output recirculating (m ³ /h) :	632.0
Maximum output recirculating air (m ³ /h) :	410
Boost position air extraction (m ³ /h) :	714
Number of lights (Stck) :	2
Noise level (dB(A) re 1 pW) :	53
Diameter of air outlet (mm) :	120 / 150
Grease filter material :	Washable aluminium
EAN code :	4242002946849
Connection rating (W) :	143
Current (A) :	10
Voltage (V) :	220-240
Frequency (Hz) :	50; 60
Plug type :	GB plug
Installation type :	Wall-mounted



4 242002 946849

Serie | 6, Wall-mounted cooker hood, 90 cm, clear glass black printed DWK97JQ60B

Angled hood: perfect for keeping an eye on your pots and pans.

Key performance features:

- Energy Efficiency Class: A (at a range of energy efficiency classes from A+++ to D)
- Extraction rate according to EN 61591 ø 15 cm:
max. Normal use 431 m³/h
Intensive 714 m³/h
- Noise max. Normal Level: Noise, max. speed in normal us: 53 dB dB*

Features

- PerfectAir sensor
- TouchControl with lightline
- 3 power levels and 2 intensive settings
- 2 x 1.5W LED light
- Colour Temperature: 3500 K
- Dimmer function
- Efficient BLDC technology
- Automatic after running (Automatic after running (10 min))
- Automatic intensive revert (6mins)
- 2 removable metal grease filter cassettes
- Saturation indicator for metal and charcoal filter
- easy to clean Inner frame
- Designed for wall mounted installation
- Rim ventilation

Design

- Chimney extractor hood
- TouchControl
- Electronic control

Performance/technical information

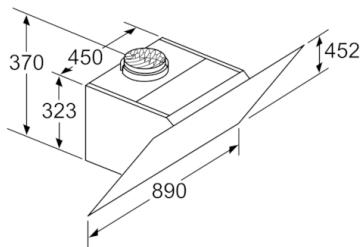
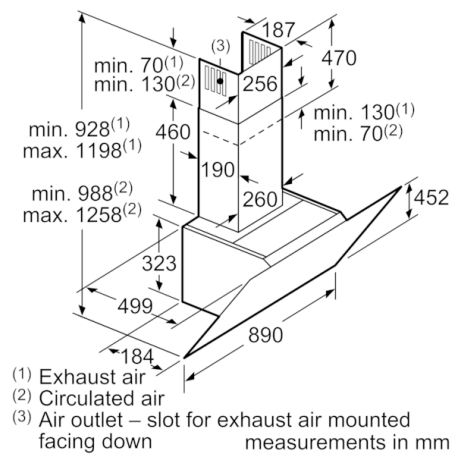
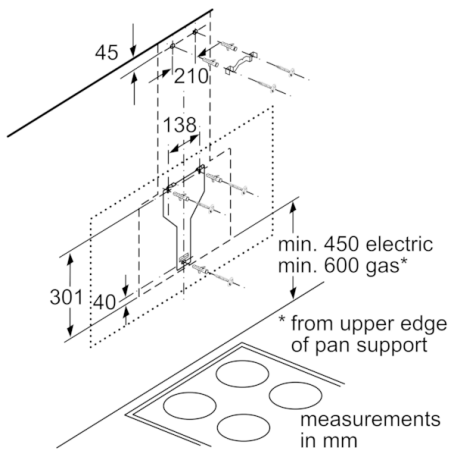
- Suitable for ducted or recirculating operation
- For recirculated extraction recirculating kit or CleanAir recirculating kit (accessory) needed
- Easy installation system
- Extraction rate according to EN 61591 max. 714 m³/h
- Noise level according to EN 60704-3 and EN 60704-2-13 at max. normal use exhaust air: 53 dB(A) re 1 pW
- Noise level according to EN 60704-3 and EN 60704-2-13 exhaust air:
Max. normal use: 53 dB(A) re 1 pW
Intensive: 65 dB(A) re 1 pW
- Noise level according to EN 60704-3 and EN 60704-2-13 at maximum normal setting: extraction rate: 53 dB (A) re 1pW
- Power rating: 143 W
- Light Intensity: 238 lux
- Electrical cable length 1.3 m
- Diameter pipe Ø 150 mm (Ø 120 mm enclosed)
- Dimensions exhaust air (HxWxD): 928-1198 x 890 x 499 mm
- Dimensions recirculating (HxWxD): 988-1258 x 890 x 499 mm
- Dimensions recirculating with CleanAir module (HxWxD):
1118 x 890 x 499 mm - mounting with outer chimney
1188-1458 x 890 x 499 mm - mounting with telescopic chimney
- Blower Efficiency Class: A*
- Lighting Efficiency Class: A*
- Grease Filtering Efficiency Class: B*
- Average Energy Consumption: 34.6 kWh/year*

Optional accessories

- Recirculating kit DWZ0AK0R0

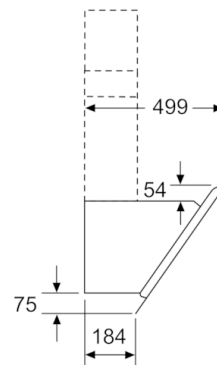
* In accordance with the EU-Regulation No 65/2014

**Serie | 6, Wall-mounted cooker hood, 90 cm,
clear glass black printed
DWK97JQ60B**

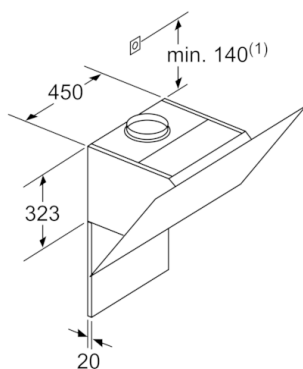


Appliance in circulated air mode
without duct
Circulated air set required

measurements in mm



measurements in mm



Note the maximum thickness of the back panel.

measurements in mm

