

**Serie | 8, Built-in compact oven with steam function, 60 x 45 cm, Stainless steel  
CSG656BS7B**

**A+**



**Included accessories**

1 x grid, 1 x universal pan, 1 x steam container, punched, size S, 1 x steam container, punched, size XL, 1 x steam container, unpunched, size S

**Optional accessories**

HEZ530000 :  
HEZ531010 : Baking tray, non-stick ceramic coated  
HEZ625071 :  
HEZ631070 :  
HEZ636000 :  
HEZ660060 :  
HEZ915003 :

**The compact steam oven with hot air function: lets you combine gentle cooking with the power of hot air.**

- **Steam function:** for gentle, healthy food preparation.
- **Added Steam cooking:** keeping food crispy on the outside and juicy on the inside
- **TFT touchscreen control:** easy-to-use thanks to the control ring with full text and images.
- **EcoClean Direct:** almost no cleaning is necessary thanks to a special coating.
- Your appliance listens to you.

**Technical Data**

Color / Material Front :	Stainless steel
Construction type :	Built-in
Door opening :	Drop down
Required niche size for installation (HxWxD) :	450-455 x 560-568 x 550
Dimensions :	455 x 594 x 548
Dimensions of the packed product (HxWxD) (mm) :	530 x 660 x 690
Control Panel Material :	Stainless steel
Door Material :	Glass
Net weight (kg) :	33.837
Approval certificates :	CE, VDE
Length of electrical supply cord (cm) :	150
EAN code :	4242005125920
Current (A) :	16
Voltage (V) :	220-240
Frequency (Hz) :	50; 60
Plug type :	no plug
Approval certificates :	CE, VDE
Number of cavities (2010/30/EC) :	1
Usable volume (of cavity) - NEW (2010/30/EC) :	47
Energy efficiency rating :	A+
Energy consumption per cycle conventional (2010/30/EC) :	0.73
Energy consumption per cycle forced air convection (2010/30/EC) :	0.61
Energy efficiency index (2010/30/EC) :	81.3



## Serie | 8, Built-in compact oven with steam function, 60 x 45 cm, Stainless steel CSG656BS7B

**The compact steam oven with hot air function: lets you combine gentle cooking with the power of hot air.**

### Design

- 3x 2,5"-TFT colour and graphics display with direct touch function
- Bosch control wheel
- Drop down door, SoftClose, SoftOpen
- 3 shelf positions
- Straight bar handle

### Features

- Home Connect ready
- Digital temperature display with proposal  
Actual temperature display  
Heating-up indicator
- Control panel lock  
Automatic safety switch off  
Residual heat indicator  
Start button  
Door contact switch
- Location of water tank: Outside cavity
- BoschAssist
- Electronic clock timer
- LED light, Light on/off when oven door opened/closed
- Water tank empty indicator
- Integral cooling fan

### Cleaning

- EcoClean Direct : ceiling, back panel, side liners
- EcoClean Direct programme
- Full glass inner door

### Programmes/functions

- Compact steam oven with 12 main functions heating methods:  
4D Hotair, Hotair Gentle, conventional top and bottom heat, conventional heat Gentle, Hotair grilling, full width variable grill, half width grill, pizza function, bottom heat, low temperature cooking, plate warming, keep warm
- Additional functions:  
Descaling programme  
Drying function  
autom. boiling point detection

### Accessories

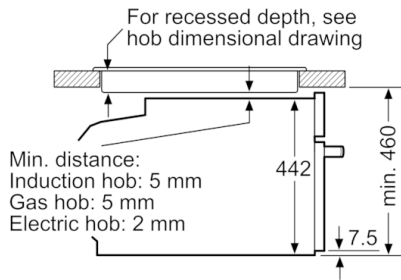
- Fast pre-heating function
- 1 x steam container, punched, size S, 1 x steam container, punched, size XL, 1 x steam container, unpunched, size S, 1 x grid, 1 x universal pan

### Performance/technical information

- Energy efficiency rating (acc. EU Nr. 65/2014): A+
- Energy consumption per cycle in conventional mode: 0.73 kWh
- Energy consumption per cycle in fan-forced convection mode: 0.61 kWh
- Number of cavities: Main cavity
- Heat source: electrical
- Cavity volume: 47 litre capacity
- Temperature range 30 °C - 250 °C
- 1 l Water tank
- Power cord length 150 cm Cable length
- Nominal voltage: 220 - 240 V
- Appliance dimension (hxwxd): 455 mm x 594 mm x 548 mm
- Please refer to the dimensions provided in the installation manual

## Serie | 8, Built-in compact oven with steam function, 60 x 45 cm, Stainless steel CSG656BS7B

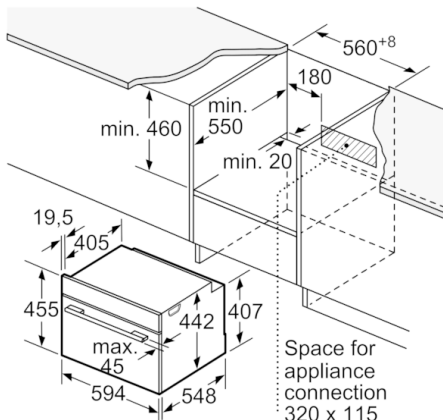
Installation with a hob.



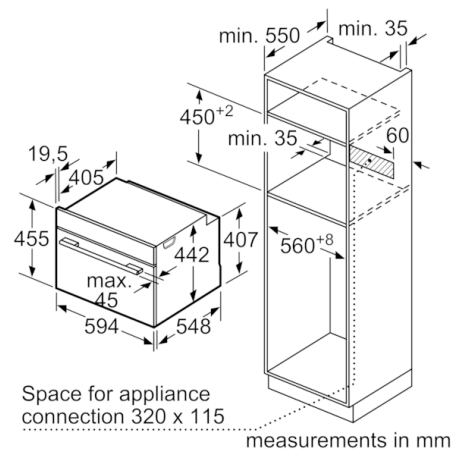
measurements in mm

If the compact appliance will be installed underneath a hob, the following worktop thicknesses (including substructure if necessary) must be taken into account.

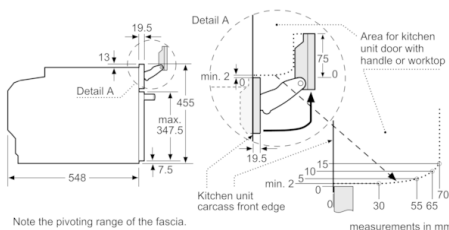
Hob type	min. worktop thickness	
	fitted	flush
Induction hob	42 mm	43 mm
Full surface Induction hob	52 mm	53 mm
Gas hob	32 mm	43 mm
Electric hob	32 mm	35 mm



measurements in mm



measurements in mm



measurements in mm