

**iQ700, Built-in compact oven with steam function, 60 x 45 cm, Stainless steel**  
**CS656GBS7B**

A+



Shorten your cooking time thanks to fast preheat and coolStart. And remote your oven from anywhere with Home Connect.

- ✓ fast preheat: reach the required baking temperature sooner; coolStart: no need to preheat the oven for deep frozen food.
- ✓ The full steam function: making it simple to cook healthy and delicious meals
- ✓ cookControl Plus: guaranteed success for numerous dishes.
- ✓ 4D hotAir: flexible choice of shelf.
- ✓ softMove: gentle opening and closing of the oven door.

Features

Technical Data

Color / Material Front : Stainless steel  
 Construction type : Built-in  
 Door opening : Drop down  
 Required niche size for installation (HxWxD) : 450-455 x 560-568 x 550  
 Dimensions : 455 x 594 x 548  
 Dimensions of the packed product (HxWxD) (mm) : 530 x 660 x 690  
 Control Panel Material : Stainless steel  
 Door Material : Glass  
 Net weight (kg) : 34.043  
 Approval certificates : CE, VDE  
 Length of electrical supply cord (cm) : 150  
 EAN code : 4242003839294  
 Current (A) : 16  
 Voltage (V) : 220-240  
 Frequency (Hz) : 50; 60  
 Plug type : no plug  
 Approval certificates : CE, VDE  
 Number of cavities (2010/30/EC) : 1  
 Usable volume (of cavity) - NEW (2010/30/EC) : 47  
 Energy efficiency rating : A+  
 Energy consumption per cycle conventional (2010/30/EC) : 0.73  
 Energy consumption per cycle forced air convection (2010/30/EC) : 0.61  
 Energy efficiency index (2010/30/EC) : 81.3

Optional accessories

- HZ915003
- HZ66X650
- HZ66X600
- HZ664000
- HZ638D18
- HZ636000
- HZ631070
- HZ625071
- HZ531010



## iQ700, Built-in compact oven with steam function, 60 x 45 cm, Stainless steel CS656GBS7B

### Features

#### Design

- 3.7" TFT touchDisplay
- Drop down oven door, softClose, softOpen
- 
- Cavity inner surface: enamel anthracite
- Stainless steel control dial
- We recommend you to choose complementary products within iQ700, in order to assure an optimal design combination of your Built-In appliances.
- Control panel lock
- Automatic safety switch off
- Residual heat indicator
- Start button
- Door contact switch
- 
- Digital temperature display with proposal
- Actual temperature display
- Heating-up indicator
- 
- WLAN - Home connect enabled
- cookControl Plus
- Electronic oven clock timer
- LED light, Light on/off when door opened/closed
- Tank empty indicator
- Integral cooling fan
- 3 shelf positions

#### Cleaning

- EcoClean Direct : ceiling, back panel, side liners
- ecoClean programme
- Full glass inner door

#### Programmes/functions

- Compact steam oven with 13 main functions heating methods: 4D hot air, hotairGentle, conventional top & bottom heating, Conventional heat Gentle, hot air grilling, full width grill, half width grill, Pizza setting, coolStart, bottom heat, low temperature cooking, keep warm, plate warming
- Additional functions:
- Descaling programme
- Drying function
- autom. boiling point detection
- 
- Fast preheat

#### Accessories

- 1 x steam container, punched, size S, 1 x steam container, punched, size XL, 1 x steam container, unpunched, size S, 1 x grid, 1 x universal pan

#### Performance/technical information

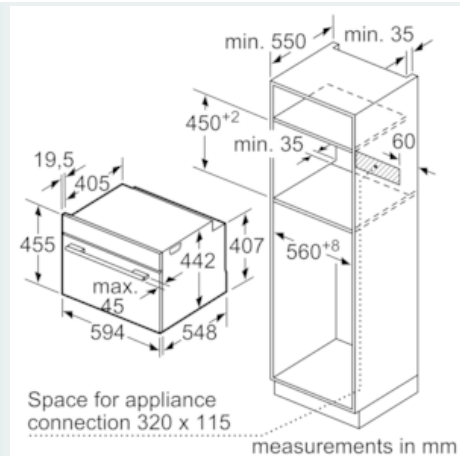
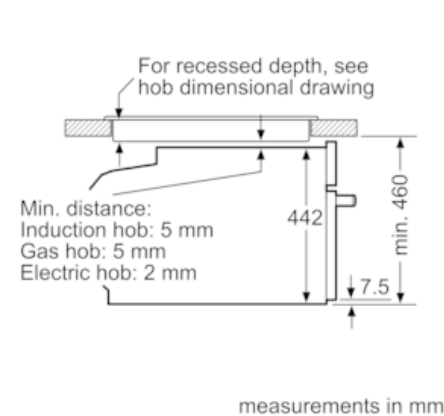
- Energy efficiency rating (acc. EU Nr. 65/2014): A+
- Energy consumption per cycle in conventional mode: 0.73 kWh
- Energy consumption per cycle in fan-forced convection mode: 0.61 kWh
- Number of cavities: Main cavity
- Heat source: electrical
- Cavity volume: 47 litre capacity
- Temperature range 30 °C - 250 °C

- Location of water tank: Outside cavity
- 1 l Water tank capacity:
- Power cord length 150 cm Cable length
- Nominal voltage: 220 - 240 V
- Appliance dimension (hxwxd): 455 mm x 594 mm x 548 mm
- Please refer to the dimensions provided in the installation manual

## iQ700, Built-in compact oven with steam function, 60 x 45 cm, Stainless steel CS656GBS7B

### Dimensioned drawings

Installation with a hob.



If the compact appliance will be installed underneath a hob, the following worktop thicknesses (including substructure if necessary) must be taken into account.

Hob type	min. worktop thickness	
	fitted	flush
Induction hob	42 mm	43 mm
Full surface Induction hob	52 mm	53 mm
Gas hob	32 mm	43 mm
Electric hob	32 mm	35 mm

