

Serie | 8, Built-in compact oven with microwave function, 60 x 45 cm, Black CMG633BB1B



The compact oven with microwave function: enables you to achieve perfect baking and roasting results very quickly.

- **The compact oven with microwave function:** enables you to achieve perfect baking and roasting results very quickly.
- **4D hotair:** even heat distribution for perfect results.
- **TFT display control:** easy-to-use thanks to the control ring with full text and symbols.
- **LED lighting:** perfect illumination of foods with minimum energy consumption.
- **Drop down door with SoftOpen and SoftClose:** the oven door opens and closes gently and quietly

Technical Data

Type of micro-wave oven :	MW-Combi
Type of control :	Electronic
Color / Material Front :	Black
Dimensions :	455 x 594 x 548
Cavity dimensions (mm) :	237.0 x 480 x 392.0
Length of electrical supply cord (cm) :	150
Net weight (kg) :	35.427
Gross weight (kg) :	37.7
EAN code :	4242002834993
Maximum micro-wave power (W) :	900
Connection rating (W) :	3600
Current (A) :	16
Voltage (V) :	220-240
Frequency (Hz) :	60; 50
Plug type :	no plug

Included accessories

1 x combination grid
1 x universal pan

Optional accessories

HEZ327000 :
HEZ530000 :
HEZ531010 : Baking tray, non-stick ceramic coated
HEZ625071 :
HEZ631070 :
HEZ636000 :
HEZ660060 :
HEZ915003 :



4 242002 834993

Serie | 8, Built-in compact oven with microwave function, 60 x 45 cm, Black CMG633BB1B

The compact oven with microwave function: enables you to achieve perfect baking and roasting results very quickly.

Design

- 2.5"-TFT colour and text display with direct select buttons
- Drop down door, SoftClose, SoftOpen
- 3 shelf positions
- Bosch control wheel
- Straight bar handle

Features

- Digital temperature display with proposal
Actual temperature display
Heating-up indicator
AutoPilot
- Control panel lock
Automatic safety switch off
Residual heat indicator
Start button
Door contact switch
- Intelligent microwave inverter technology: For optimised results maximum output power will be regulated to 600 W when used in longer operation for gentler cooking.
- AutoPilot, 14
- Electronic clock timer
- LED light, Light on/off when oven door opened/closed
- Integral cooling fan

Programmes/functions

- Compact oven with microwave with Multifunction oven with 6 cooking functions: heating methods: 4D Hotair, Hotair Gentle, Hotair grilling, full width variable grill, half width grill, plate warming
- Additional heating methods with microwave: Microwave, Combi microwave constant
- Max. Power: 900 W; 5 Microwave power settings (90 W,180 W,360 W,600 W,900 W)
- Fast pre-heating function

Accessories

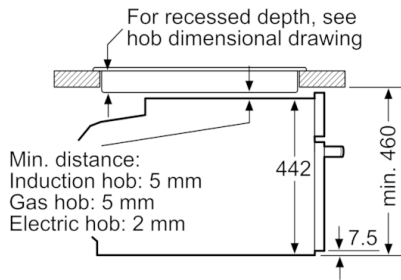
- 1 x universal pan, 1 x combination grid

Performance/technical information

- Cavity volume: 45 litre capacity
- Temperature range 30 °C - 275 °C
- Power cord length 150 cm Cable length
- Total connected load electric: 3.6 KW
- Nominal voltage: 220 - 240 V
- Appliance dimension (hxwxh): 455 mm x 594 mm x 548 mm
- Niche dimension (hxwxh): 450 mm - 455 mm x 560 mm - 568 mm x 550 mm
- Please refer to the dimensions provided in the installation manual

Serie | 8, Built-in compact oven with microwave function, 60 x 45 cm, Black CMG633BB1B

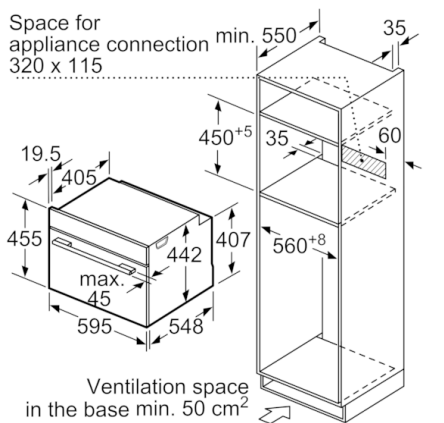
Installation with a hob.



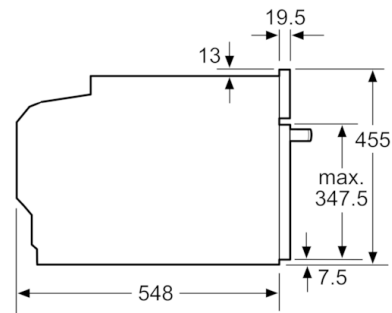
measurements in mm

If the compact appliance will be installed underneath a hob, the following worktop thicknesses (including substructure if necessary) must be taken into account.

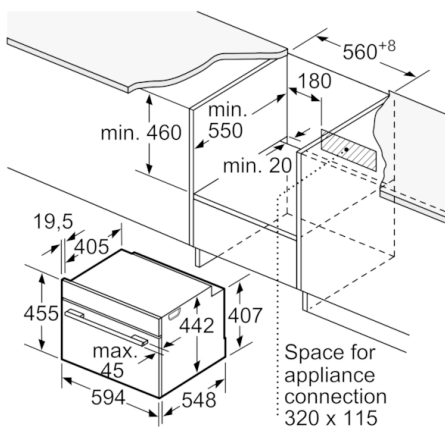
Hob type	min. worktop thickness	
	fitted	flush
Induction hob	42 mm	43 mm
Full surface Induction hob	52 mm	53 mm
Gas hob	32 mm	43 mm
Electric hob	32 mm	35 mm



measurements in mm



measurements in mm



measurements in mm