

iQ700, Built-in compact oven with microwave function, 60 x 45 cm, Stainless steel CM676GBS6B



Shorten your cooking time thanks to varioSpeed, fast preheat and activeClean. And remote your oven from anywhere with Home Connect.

- ✓ varioSpeed: reduce cooking times by up to 50%.
- ✓ fast preheat: reach the required baking temperature sooner; coolStart: no need to preheat the oven for deep frozen food.
- ✓ activeClean: the automatic system for effortless cleaning.
- ✓ cookControl Plus: guaranteed success for numerous dishes.
- ✓ 4D hotAir: flexible choice of shelf.

Features

Technical Data

Type of micro-wave oven : MW-Combi
 Type of control : Electronic
 Color / Material Front : Stainless steel
 Dimensions : 455 x 594 x 548
 Cavity dimensions (mm) : 237.0 x 480 x 392.0
 Length of electrical supply cord (cm) : 150
 Net weight (kg) : 35.933
 Gross weight (kg) : 38.2
 EAN code : 4242003765920
 Maximum micro-wave power (W) : 900
 Connection rating (W) : 3600
 Current (A) : 16
 Voltage (V) : 220-240
 Frequency (Hz) : 60; 50
 Plug type : no plug



Included accessories

- 1 x combination grid
- 1 x universal pan

Optional accessories

- HZ915003
- HZ66X650
- HZ66X600
- HZ636000
- HZ634080
- HZ631070
- HZ625071
- HZ531010
- HZ327000

iQ700, Built-in compact oven with microwave function, 60 x 45 cm, Stainless steel CM676GBS6B

Features

Design

- 3.7" TFT touchDisplay
- Drop down oven door, softClose, softOpen
-
- Cavity inner surface: enamel anthracite
- 3 shelf positions
- Stainless steel control dial
- Bar handle
- We recommend you to choose complementary products within iQ700, in order to assure an optimal design combination of your Built-In appliances.

Features

- Digital temperature display with proposal
- Actual temperature display
- Heating-up indicator
-
- Intelligent microwave inverter technology: For optimised results maximum output power will be regulated to 600 W when used in longer operation for gentler cooking.
- Electronic door lock
- Control panel lock
- Automatic safety switch off
- Residual heat indicator
- Start button
- Door contact switch
-
- WLAN - Home connect enabled
- cookControl Plus
- Electronic oven clock timer
- LED light, Light on/off when door opened/closed
- Integral cooling fan

Cleaning

- activeClean

Programmes/functions

- Compact oven with microwave with 13 main functions heating methods: 4D hot air, hotairGentle, conventional top & bottom heating, Conventional heat Gentle, hot air grilling, full width grill, half width grill, Pizza setting, coolStart, bottom heat, low temperature cooking, keep warm, plate warming
- Additional heating methods with microwave: Microwave, Combi microwave variable
- Max. Power: 900 W; 5 Microwave power settings (90 W, 180 W, 360 W, 600 W, 900 W)
- Fast preheat

Accessories

- 1 x combination grid, 1 x universal pan

Performance/technical information

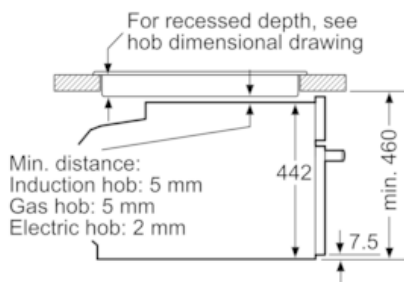
- Cavity volume: 45 litres
- Power cord length 150 cm Cable length
- Temperature range 30 °C - 275 °C
- Total connected load electric: 3.6 KW
- Nominal voltage: 220 - 240 V
- Appliance dimension (hxwxd): 455 mm x 594 mm x 548 mm

- Niche dimension (hxwxd): 450 mm - 455 mm x 560 mm - 568 mm x 550 mm
- Please refer to the dimensions provided in the installation manual

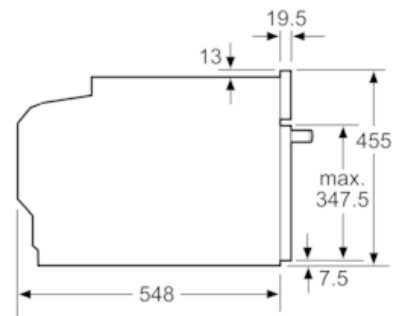
iQ700, Built-in compact oven with microwave function, 60 x 45 cm, Stainless steel CM676GBS6B

Dimensioned drawings

Installation with a hob.



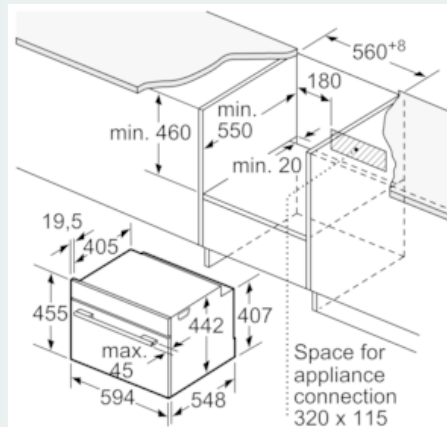
measurements in mm



measurements in mm

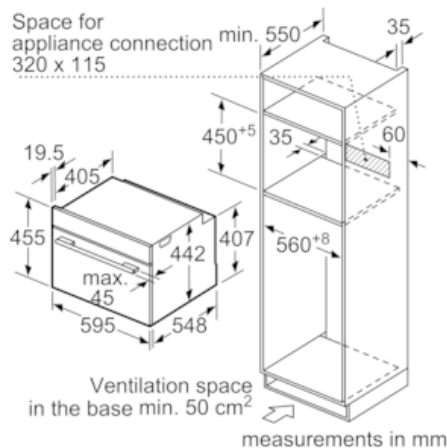
If the compact appliance will be installed underneath a hob, the following worktop thicknesses (including substructure if necessary) must be taken into account.

Hob type	min. worktop thickness	
	fitted	flush
Induction hob	42 mm	43 mm
Full surface Induction hob	52 mm	53 mm
Gas hob	32 mm	43 mm
Electric hob	32 mm	35 mm



measurements in mm

Space for appliance connection min. 550
 320 x 115



measurements in mm