

## iQ700, Built-in compact oven with microwave function, 60 x 45 cm, Stainless steel CM656GBS6B



Shorten your cooking time thanks to varioSpeed and fast preheat. And access your oven from anywhere with Home Connect.

- ✓ varioSpeed: reduce cooking times by up to 50%.
- ✓ fast preheat: reach the required baking temperature sooner; coolStart: no need to preheat the oven for deep frozen food.
- ✓ cookControl Plus: guaranteed success for numerous dishes.
- ✓ 4D hotAir: flexible choice of shelf.
- ✓ softMove: gentle opening and closing of the oven door.

### Features

#### Technical Data

Type of micro-wave oven : MW-Combi  
 Type of control : Electronic  
 Color / Material Front : Stainless steel  
 Dimensions : 455 x 594 x 548  
 Cavity dimensions (mm) : 237.0 x 480 x 392.0  
 Length of electrical supply cord (cm) : 150  
 Net weight (kg) : 35.733  
 Gross weight (kg) : 38.0  
 EAN code : 4242003751886  
 Maximum micro-wave power (W) : 900  
 Connection rating (W) : 3600  
 Current (A) : 16  
 Voltage (V) : 220-240  
 Frequency (Hz) : 60; 50  
 Plug type : no plug



### Included accessories

- 1 x combination grid
- 1 x universal pan

### Optional accessories

- HZ915003
- HZ66X650
- HZ66X600
- HZ636000
- HZ634080
- HZ631070
- HZ625071
- HZ531010
- HZ327000

## iQ700, Built-in compact oven with microwave function, 60 x 45 cm, Stainless steel CM656GBS6B

### Features

#### Design

- 3.7" TFT touchDisplay
- Drop down oven door, softClose, softOpen
- 
- Cavity inner surface: enamel anthracite
- LED light, Light on/off when door opened/closed
- 3 shelf positions
- Stainless steel control dial
- Bar handle
- We recommend you to choose complementary products within iQ700, in order to assure an optimal design combination of your Built-In appliances.

#### Features

- Intelligent microwave inverter technology: For optimised results maximum output power will be regulated to 600 W when used in longer operation for gentler cooking.
- Digital temperature display with proposal
- Actual temperature display
- Heating-up indicator
- 
- Control panel lock
- Automatic safety switch off
- Residual heat indicator
- Start button
- Door contact switch
- 
- WLAN - Home connect enabled
- cookControl Plus
- Electronic oven clock timer
- Integral cooling fan

#### Cleaning

- EcoClean Direct : ceiling, back panel, side liners
- ecoClean programme

#### Programmes/functions

- Compact oven with microwave with 13 main functions heating methods: 4D hot air, hotairGentle, conventional top & bottom heating, Conventional heat Gentle, hot air grilling, full width grill, half width grill, Pizza setting, coolStart, bottom heat, low temperature cooking, keep warm, plate warming
- Additional heating methods with microwave: Microwave, Combi microwave variable
- Max. Power: 900 W; 5 Microwave power settings (90 W,180 W,360 W,600 W,900 W)
- Fast preheat

#### Accessories

- 1 x combination grid, 1 x universal pan

#### Performance/technical information

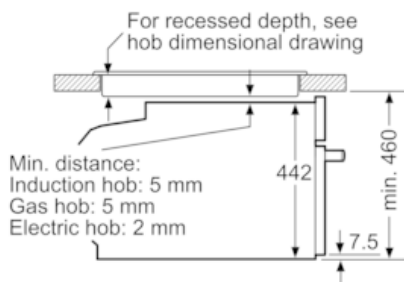
- Cavity volume: 45 litres
- Temperature range 30 °C - 275 °C
- Power cord length 150 cm Cable length
- Total connected load electric: 3.6 KW
- Nominal voltage: 220 - 240 V
- Appliance dimension (hxwxd): 455 mm x 594 mm x 548 mm

- Niche dimension (hxwxd): 450 mm - 455 mm x 560 mm - 568 mm x 550 mm
- Please refer to the dimensions provided in the installation manual

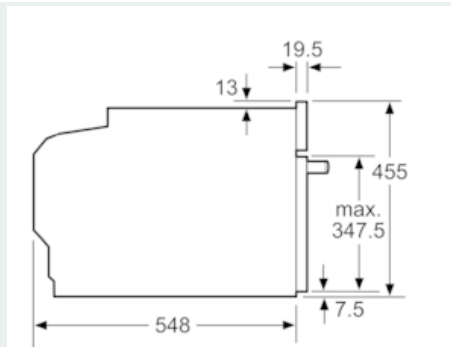
**iQ700, Built-in compact oven with microwave function, 60 x 45 cm, Stainless steel CM656GBS6B**

Dimensioned drawings

Installation with a hob.



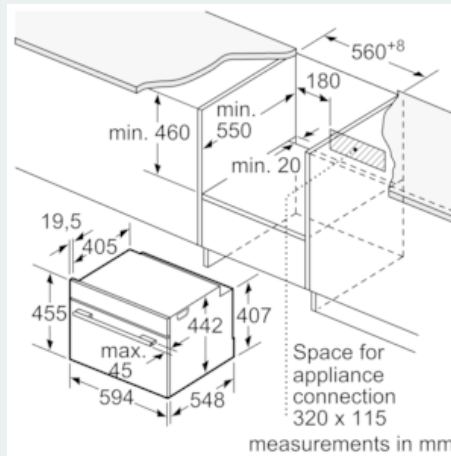
measurements in mm



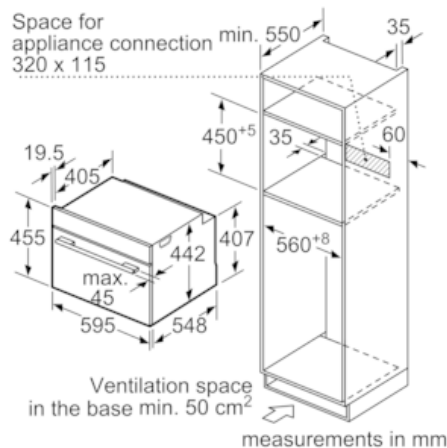
measurements in mm

If the compact appliance will be installed underneath a hob, the following worktop thicknesses (including substructure if necessary) must be taken into account.

Hob type	min. worktop thickness	
	fitted	flush
Induction hob	42 mm	43 mm
Full surface Induction hob	52 mm	53 mm
Gas hob	32 mm	43 mm
Electric hob	32 mm	35 mm



measurements in mm



measurements in mm