

**Serie | 8, Built-in microwave oven, 60
x 45 cm, Stainless steel
CFA634GS1B**



Included accessories
1 x Glass tray

**The built-in compact microwave defrosts,
heats and cooks helping you prepare food
in the kitchen.**

- **AutoPilot 7:** every dish is a perfect success thanks to 7 pre-set automatic programmes.
- **TFT display control:** easy-to-use thanks to the control ring with full text and symbols.
- **LED lighting:** perfect illumination of foods with minimum energy consumption.

Technical Data

Type of micro-wave oven :	MW only
Type of control :	Electronic
Color / Material Front :	Stainless steel
Dimensions :	455 x 595 x 545
Cavity dimensions (mm) :	242.0 x 430 x 345.0
Length of electrical supply cord (cm) :	150
Net weight (kg) :	26.062
Gross weight (kg) :	30.0
EAN code :	4242002937892
Maximum micro-wave power (W) :	900
Connection rating (W) :	1220
Current (A) :	10
Voltage (V) :	220-240
Frequency (Hz) :	50
Plug type :	GB plug



**Serie | 8, Built-in microwave oven, 60 x 45
cm, Stainless steel
CFA634GS1B**

**The built-in compact microwave defrosts,
heats and cooks helping you prepare food in
the kitchen.**

Design

- Drop down door

Features

- Automatic safety switch off
Start button
Door contact switch
- Intelligent microwave inverter technology: For optimised results maximum output power will be regulated to 600 W when used in longer operation for gentler cooking.
- AutoPilot, 7
- LED light
- Integral cooling fan

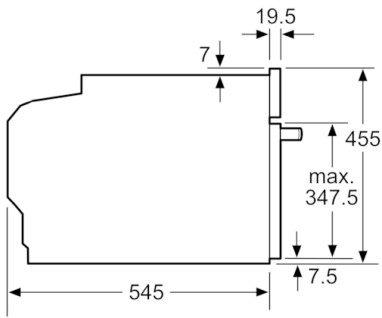
Programmes/functions

- 1 x Glass tray

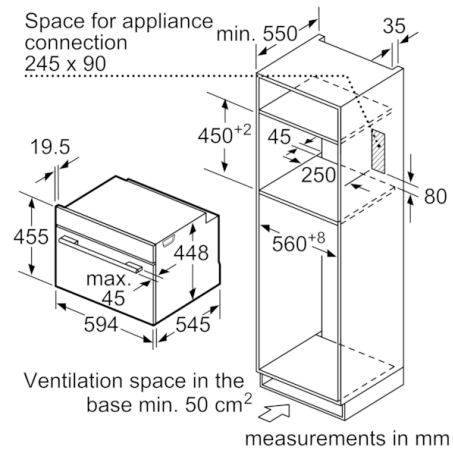
Performance/technical information

- Cavity volume: 36 l
- Power cord length 150 cm Cable length
- Total connected load electric: 1.22 KW
- Nominal voltage: 220 - 240 V
- Appliance dimension (hxwx): 455 mm x 595 mm x 545 mm
- Niche dimension (hxwx): 450 mm - 450 mm x 560 mm - 560 mm x 550 mm
- Please refer to the dimensions provided in the installation manual

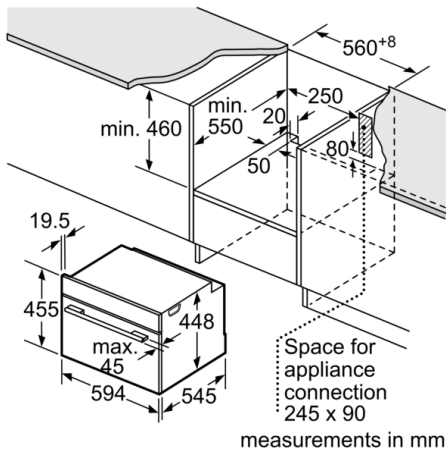
**Serie | 8, Built-in microwave oven, 60 x 45 cm, Stainless steel
CFA634GS1B**



measurements in mm



measurements in mm



measurements in mm