

**iQ700, Built-in warming drawer, 60 x
29 cm, Black
BI630DNS1B**



Features

Technical Data

Construction type : Built-in

Color / Material Front : Black

Maximum number of plates : 40

Maximum number of espresso cups : 192

Dimensions : 290 x 594 x 548

Dimensions of the packed product (HxWxD) (mm) : 350 x 640 x 660

Required niche size for installation (HxWxD) : 290 x 560 x 550

EAN code : 4242003676639

Electrical connection rating (W) : 810

Current (A) : 10

Voltage (V) : 220-240

Frequency (Hz) : 60; 50

Plug type : GB plug



4 242003 676639

Optional accessories

HZ6WCC0

**iQ700, Built-in warming drawer, 60 x
29 cm, Black
BI630DNS1B**

Features

Design

- Easy to clean toughened glass heating plate
- Stainless steel control dial
- Handleless push-pull opening mechanism
- Can accommodate up to:
 - -40 plates
 - -192 espresso cups
- Temperature control in 4 levels: ca. 30°C - 80°C (glass surface temperature)

Programmes/functions

- 5 functions: dough proving thawing of delicate foods keeping drinks and food warm pre-warming of crockery gentle cooking

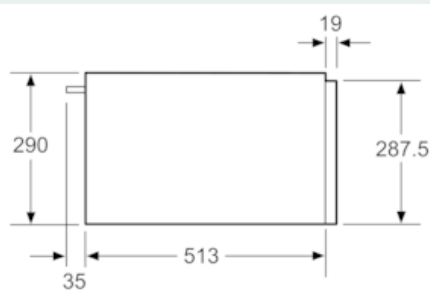
Performance/technical information

Technical information

- Cavity volume: 52 l
- Loading up to 25 kg
- Total connected load electric: 0.81 KW
- Power cord length 150 cm Cable length
- Nominal voltage: 220 - 240 V
- Appliance dimension (hxwxd): 290 mm x 594 mm x 548 mm
- Niche dimension (hxwxd): 290 mm x 560 mm - 568 mm x 550 mm
- Please refer to the dimensions provided in the installation manual

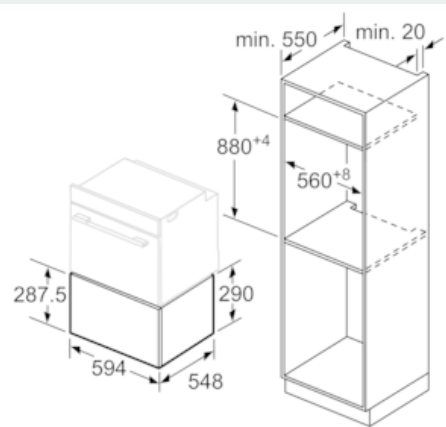
**iQ700, Built-in warming drawer, 60 x 29 cm, Black
BI630DNS1B**

Dimensioned drawings



Ovens with an appliance height of 595 mm can be installed above a warming drawer. An intermediate floor is not required.

measurements in mm



measurements in mm