

**iQ700, Built-in warming drawer, 60 x
14 cm, Black
BI630CNS1B**



The warming drawer is perfect for preheating crockery, for keeping foods warm and for gentle cooking.

Features

Technical Data

Construction type : Built-in

Color / Material Front : Black

Maximum number of plates : 12

Maximum number of espresso cups : 64

Dimensions : 140 x 594 x 548

Dimensions of the packed product (HxWxD) (mm) : 210 x 650 x 660

Required niche size for installation (HxWxD) : 140 x 560 x 550

EAN code : 4242003676585

Electrical connection rating (W) : 810

Current (A) : 10

Voltage (V) : 220-240

Frequency (Hz) : 60; 50

Plug type : GB plug



4 242003 676585

**iQ700, Built-in warming drawer, 60 x
14 cm, Black
BI630CNS1B**

Features

Design

- Stainless steel control dial
- Handleless push-pull opening mechanism
- Can accommodate up to:
 - -12 plates
 - -64 espresso cups
- Easy to clean toughened glass heating plate
- Temperature control in 4 levels: ca. 30°C - 80°C (glass surface temperature)

Programmes/functions

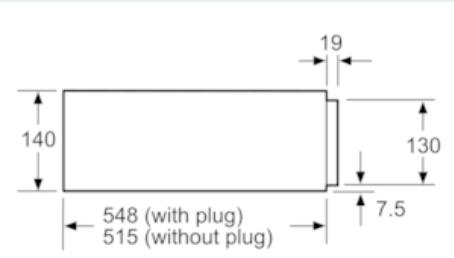
- 5 functions: dough proving thawing of delicate foods keeping drinks and food warm pre-warming of crockery gentle cooking

Performance/technical information

- Cavity volume: 20 l
- Loading up to 25 kg
- Total connected load electric: 0.81 KW
- Power cord length 150 cm Cable length
- Nominal voltage: 220 - 240 V
- Appliance dimension (hxwxd): 140 mm x 594 mm x 548 mm
- Niche dimension (hxwxd): 140 mm x 560 mm - 568 mm x 550 mm
- Please refer to the dimensions provided in the installation manual

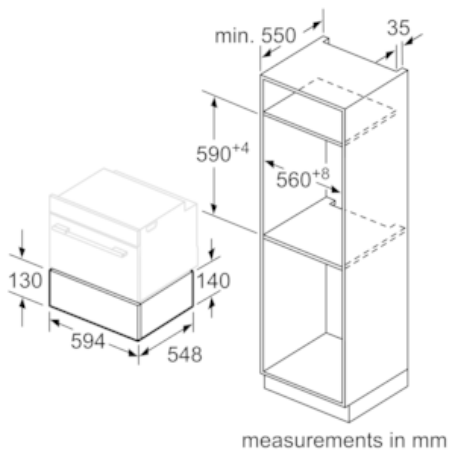
**iQ700, Built-in warming drawer, 60 x 14 cm, Black
BI630CNS1B**

Dimensioned drawings



Compact ovens with an appliance height of 455 mm can be installed above a warming drawer. An intermediate floor is not required.

measurements in mm



measurements in mm