

**iQ500, Built-in warming drawer, 60 x  
14 cm, Black  
BI510CNR0B**



The warming drawer is perfect for preheating crockery and for keeping foods warm.

#### Features

##### Technical Data

Construction type : Built-in

Color / Material Front : Black

Maximum number of plates : 14

Maximum number of espresso cups : 64

Dimensions : 140 x 594 x 540

Dimensions of the packed product (HxWxD) (mm) : 210 x 660 x 660

Required niche size for installation (HxWxD) : 140 x 560 x 550

EAN code : 4242003803868

Electrical connection rating (W) : 400

Current (A) : 6

Voltage (V) : 220-240

Frequency (Hz) : 60; 50

Plug type : GB plug



#### Included accessories

1 x Anti-slip mat

**iQ500, Built-in warming drawer, 60 x  
14 cm, Black  
BI510CNR0B**

#### Features

##### Design

- Can accommodate up to:
- -14 plates
- -64 espresso cups
- Cavity inner surface: stainless steel
- Stainless steel control dial
- Handleless push-pull opening mechanism

##### Programmes/functions

- 4 Functions: keeping drinks and food warm, pre-warming of tableware, yeast dough proving, thawing of delicate foods

##### Accessories

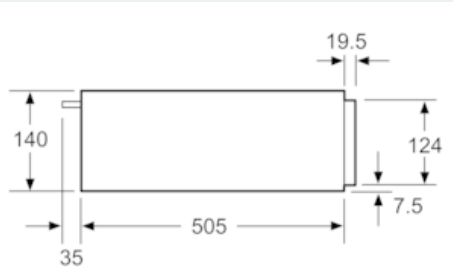
- 1 x Anti-slip mat

##### Performance/technical information

- Cavity volume: 23 l
- Loading up to 15 kg
- Nominal voltage: 220 - 240 V
- Power cord length 150 cm Cable length
- Total connected load electric: 0.4 KW
- Appliance dimension (hxwxd): 140 mm x 594 mm x 540 mm
- Niche dimension (hxwxd): 140 mm x 560 mm - 568 mm x 550 mm
- Please refer to the dimensions provided in the installation manual

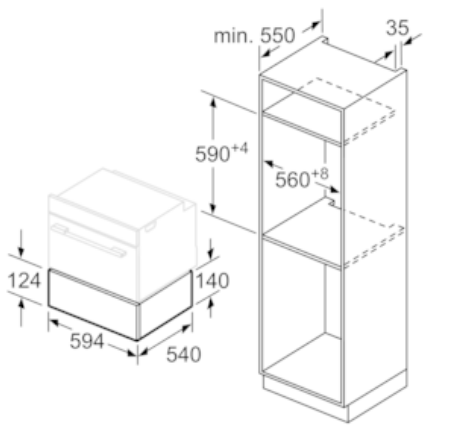
**iQ500, Built-in warming drawer, 60 x 14 cm, Black  
BI510CNR0B**

Dimensioned drawings



Compact ovens with an appliance height of 455 mm can be installed above a warming drawer. An intermediate floor is not required.

measurements in mm



measurements in mm