

iQ700, Built-in microwave oven, 60 x 38 cm, Stainless steel BF634LGS1B



- ✓ TFT Display: good readability from any perspective.
- ✓ 900 Watts maximum: ideal for heating liquids
- ✓ The side-opening hinged door: ideal for elevated installation.

Features

Technical Data

Type of micro-wave oven : MW only
 Type of control : Electronic
 Color / Material Front : Stainless steel
 Dimensions : 382 x 594 x 318
 Cavity dimensions (mm) : 220 x 350 x 270
 Length of electrical supply cord (cm) : 150
 Net weight (kg) : 16.026
 Gross weight (kg) : 18.2
 EAN code : 4242003676417
 Maximum micro-wave power (W) : 900
 Connection rating (W) : 1220
 Current (A) : 10
 Voltage (V) : 220-240
 Frequency (Hz) : 50; 60
 Plug type : GB plug



Optional accessories

HZ6UCC0

**iQ700, Built-in microwave oven, 60 x
38 cm, Stainless steel
BF634LGS1B**

Features

Design

- 2.8" TFT Display
- Left hinged door
-

Features

- Intelligent microwave inverter technology: For optimised results maximum output power will be regulated to 600 W when used in longer operation for gentler cooking.
- Start button
- Door contact switch
-
- LED light
- Integral cooling fan

Programmes/functions

- cookControl, 7

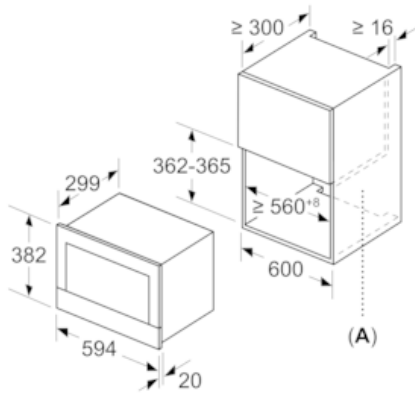
Performance/technical information

- Power cord length 150 cm Cable length
- Total connected load electric: 1.22 KW
- Nominal voltage: 220 - 240 V
- Appliance dimension (hxwxd): 382 mm x 594 mm x 318 mm
- Niche dimension (hxwxd): 362 mm - 382 mm x 560 mm - 568 mm x 300 mm
- Please refer to the dimensions provided in the installation manual

**iQ700, Built-in microwave oven, 60 x 38 cm, Stainless steel
BF634LGS1B**

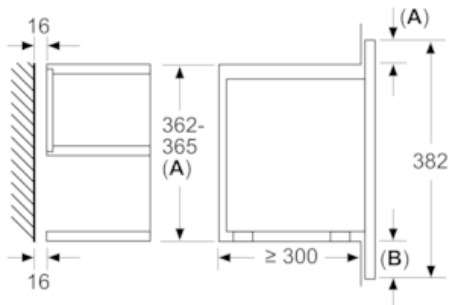
Dimensioned drawings

measurements in mm

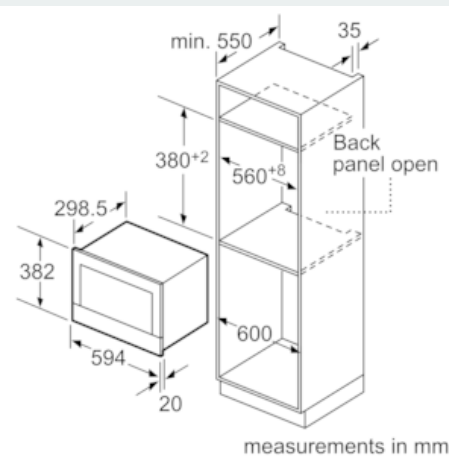


A: Back panel open

measurements in mm



A: Overhang at top:
Recess 362: 6 mm
Recess 365: 3 mm
B: Overhang at bottom: 14 mm



measurements in mm