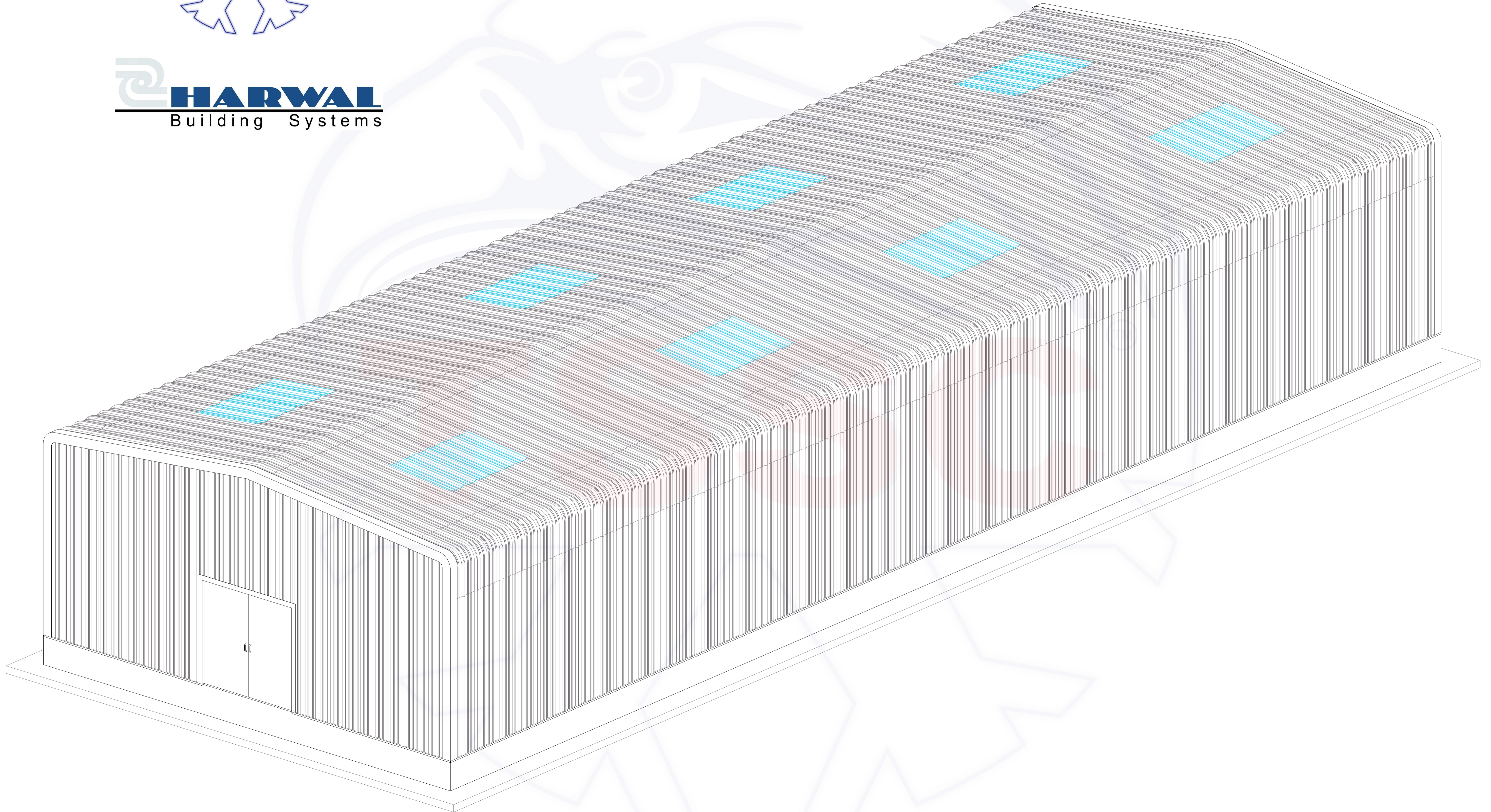




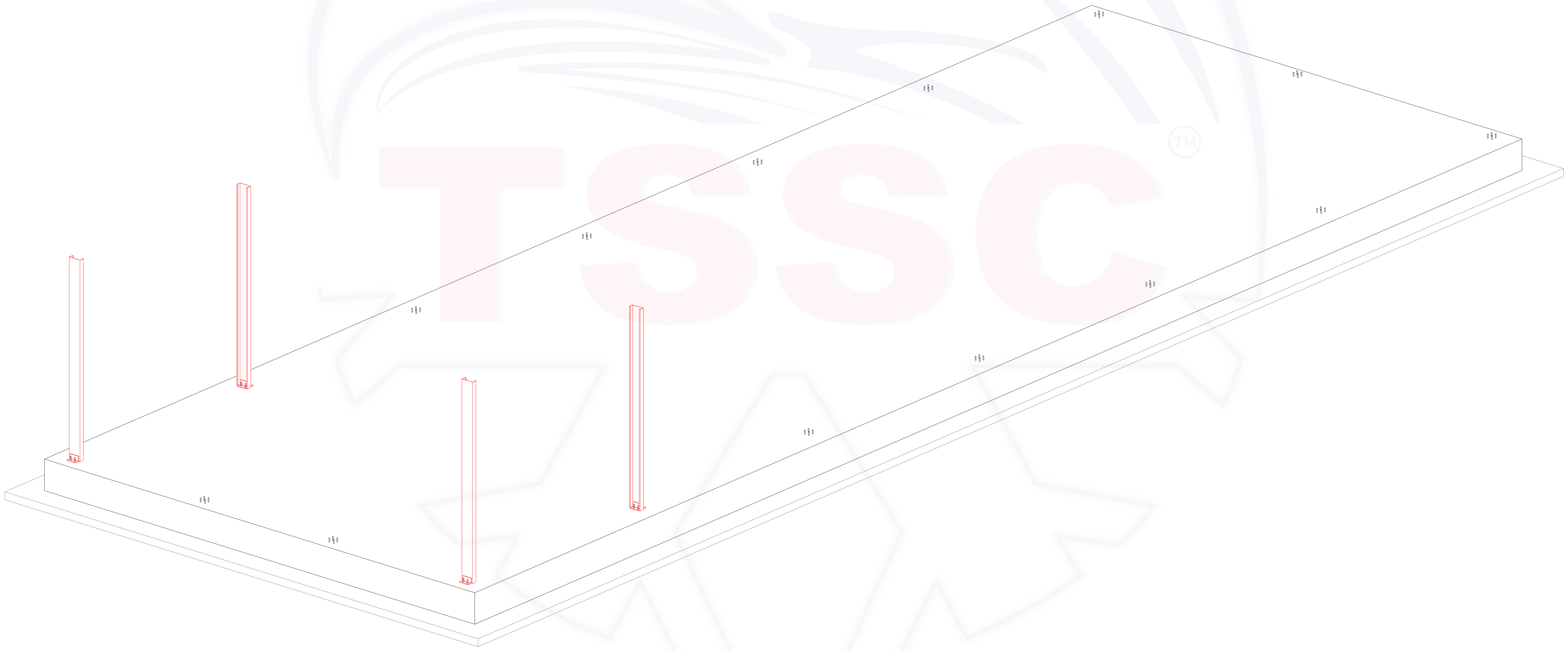
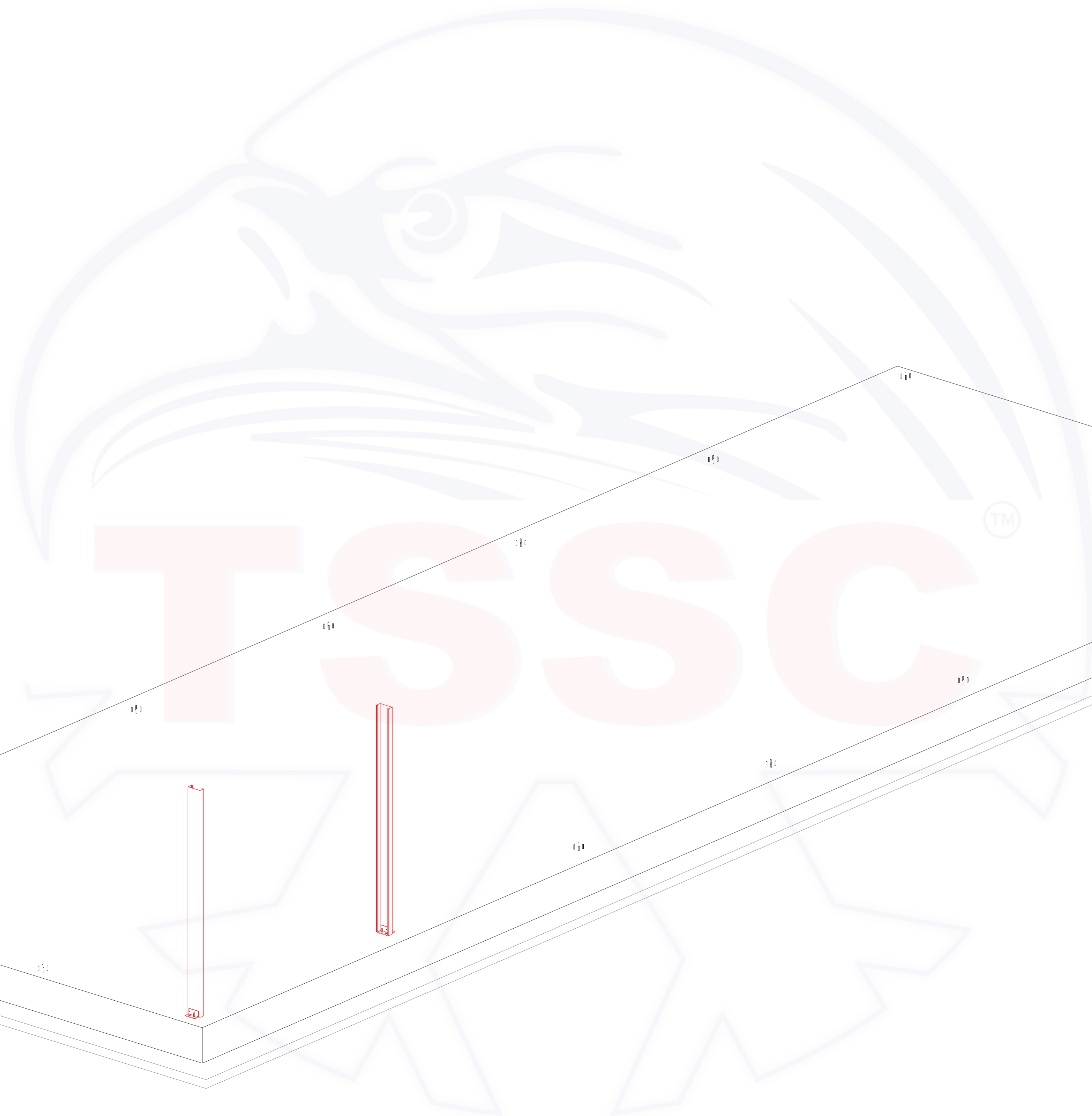
TSSC CRS SHED

INSTALLATION PROCESS

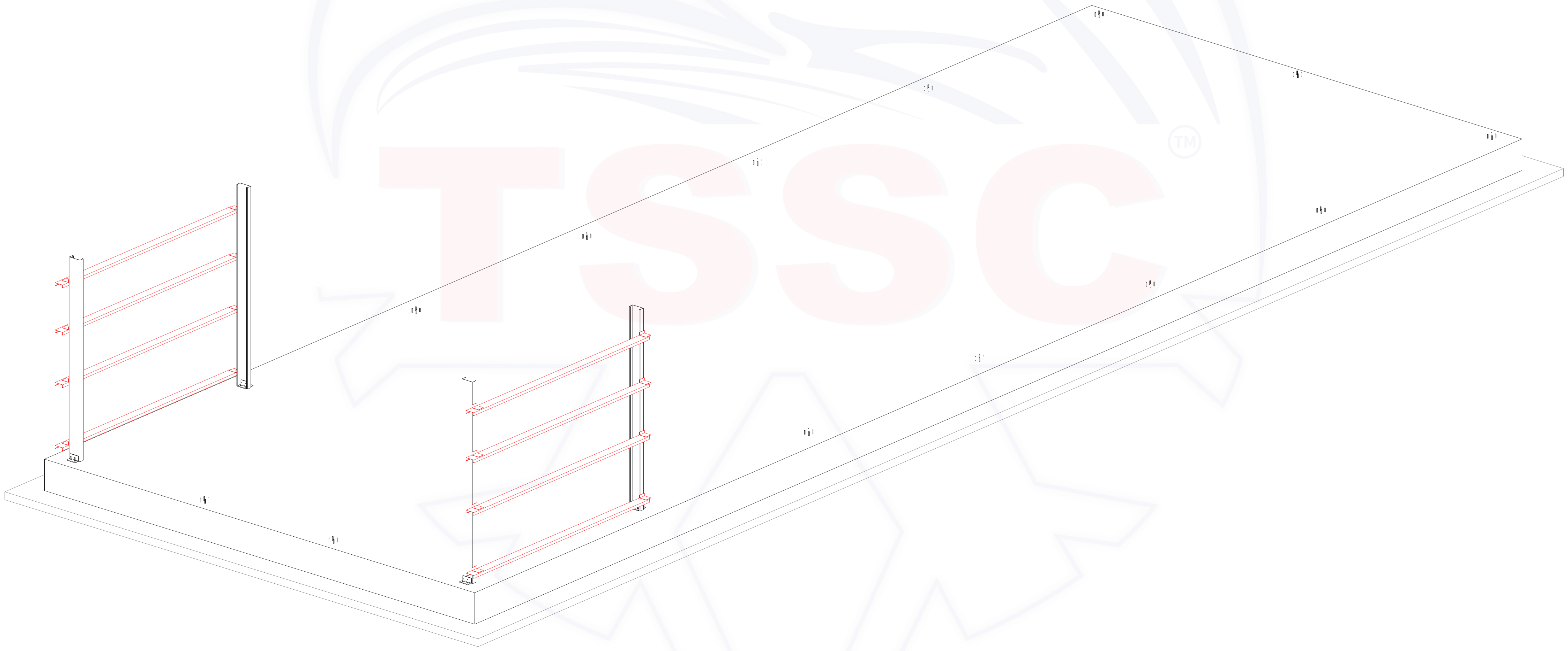
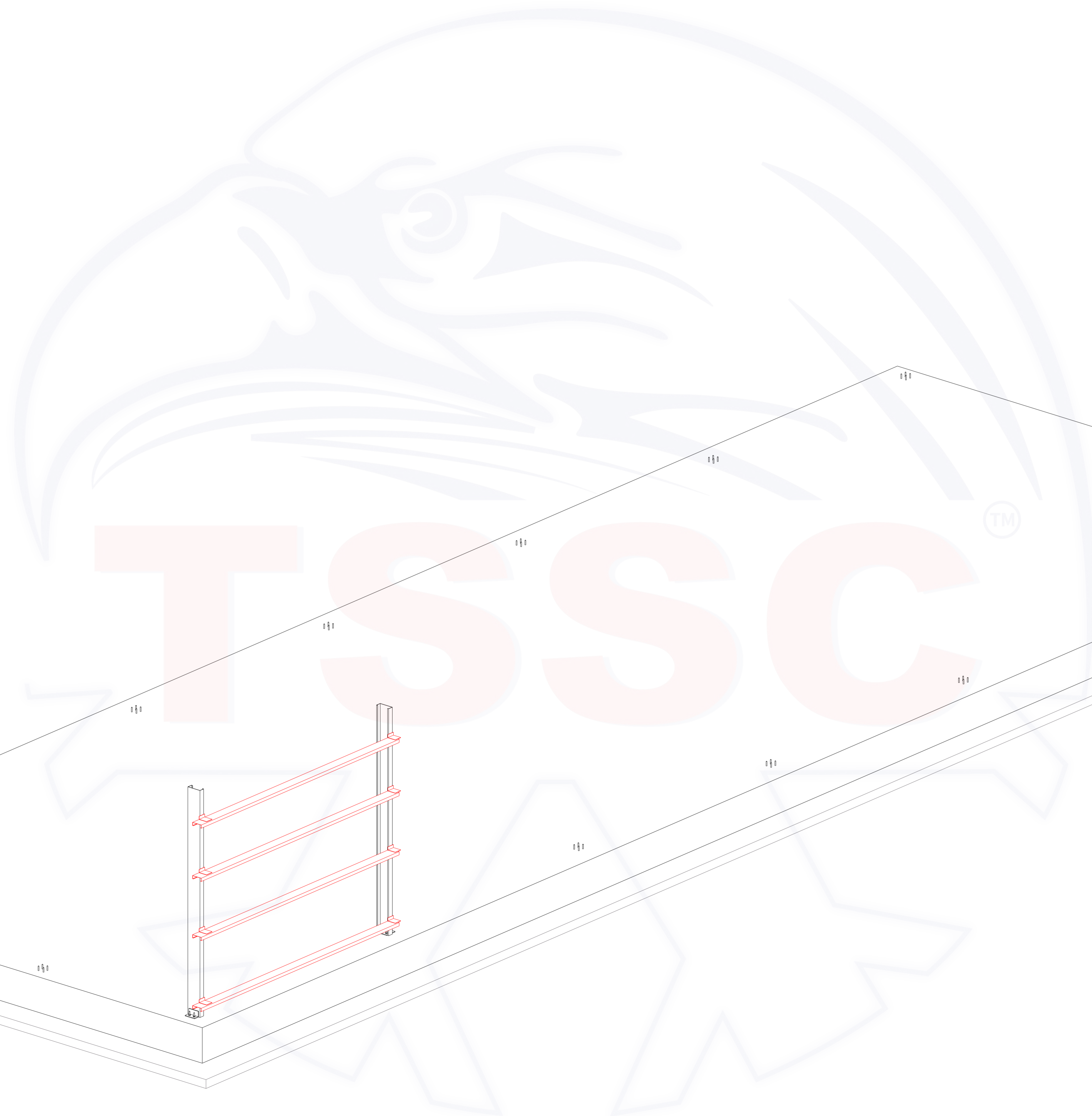




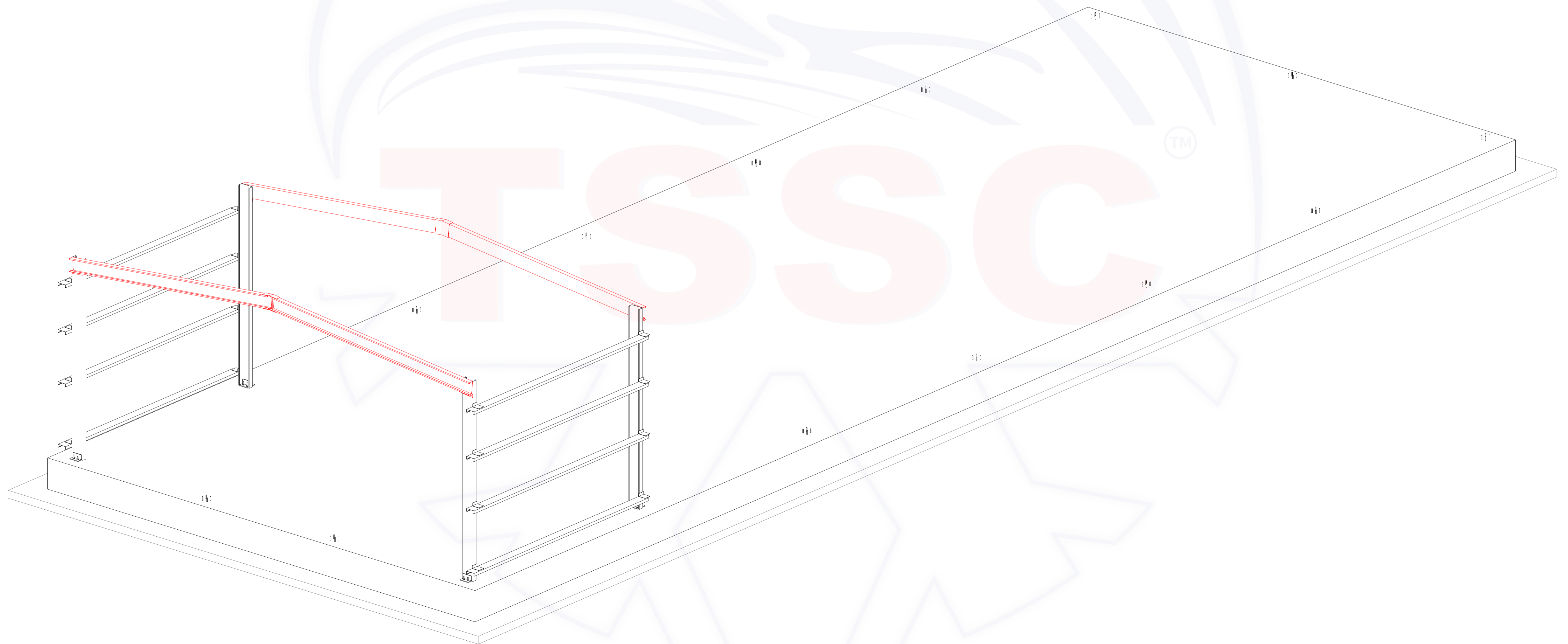
STEP 1: ANCHOR BOLTS CHECKING



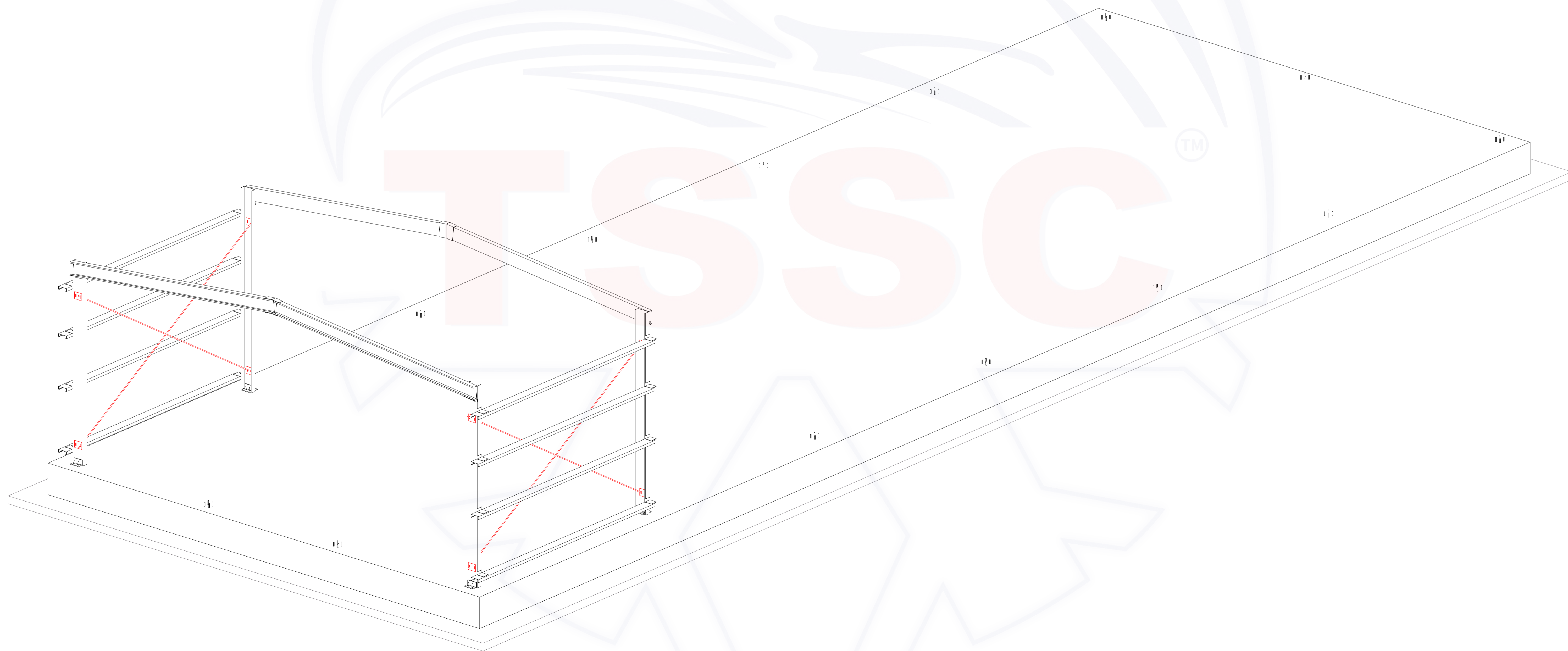
STEP 2: INSTALL COLUMNS AT BRACED BAY



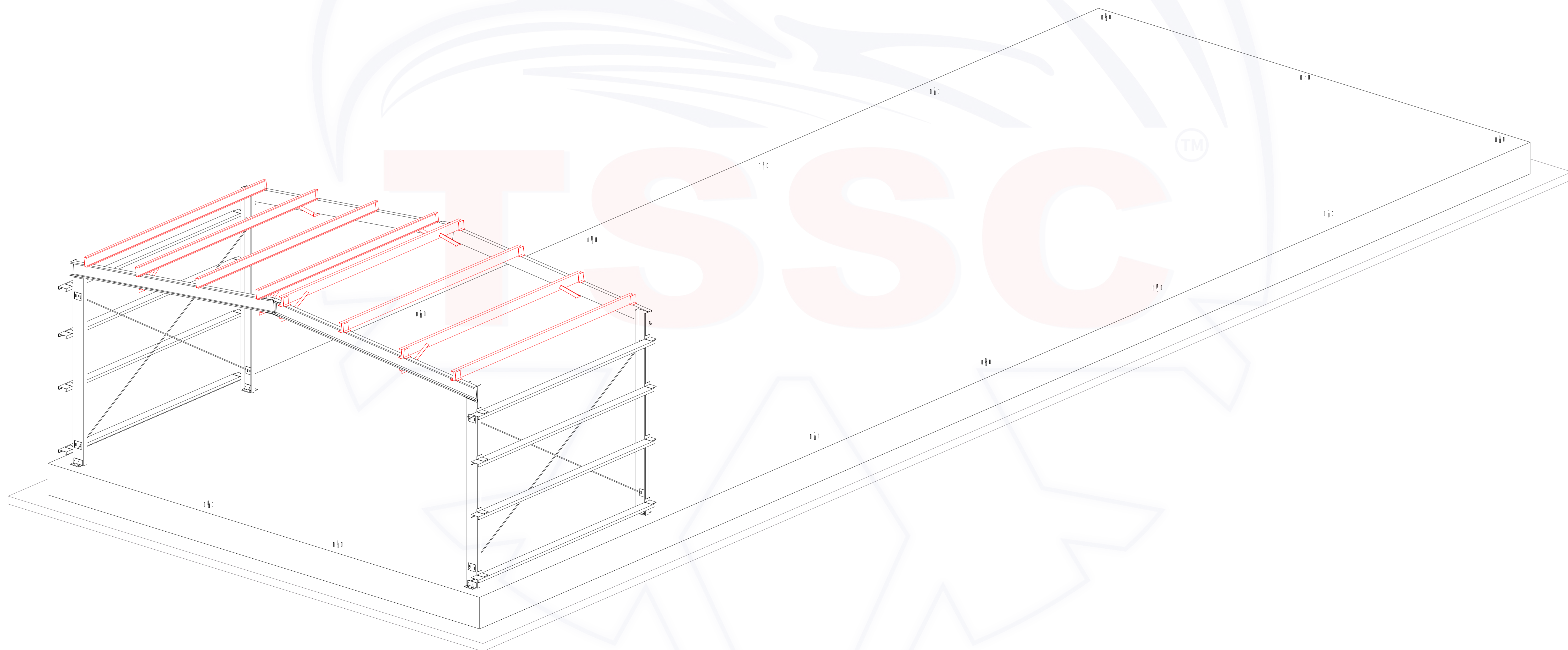
STEP 3: FIX THE WALL GIRTS TO COLUMNS



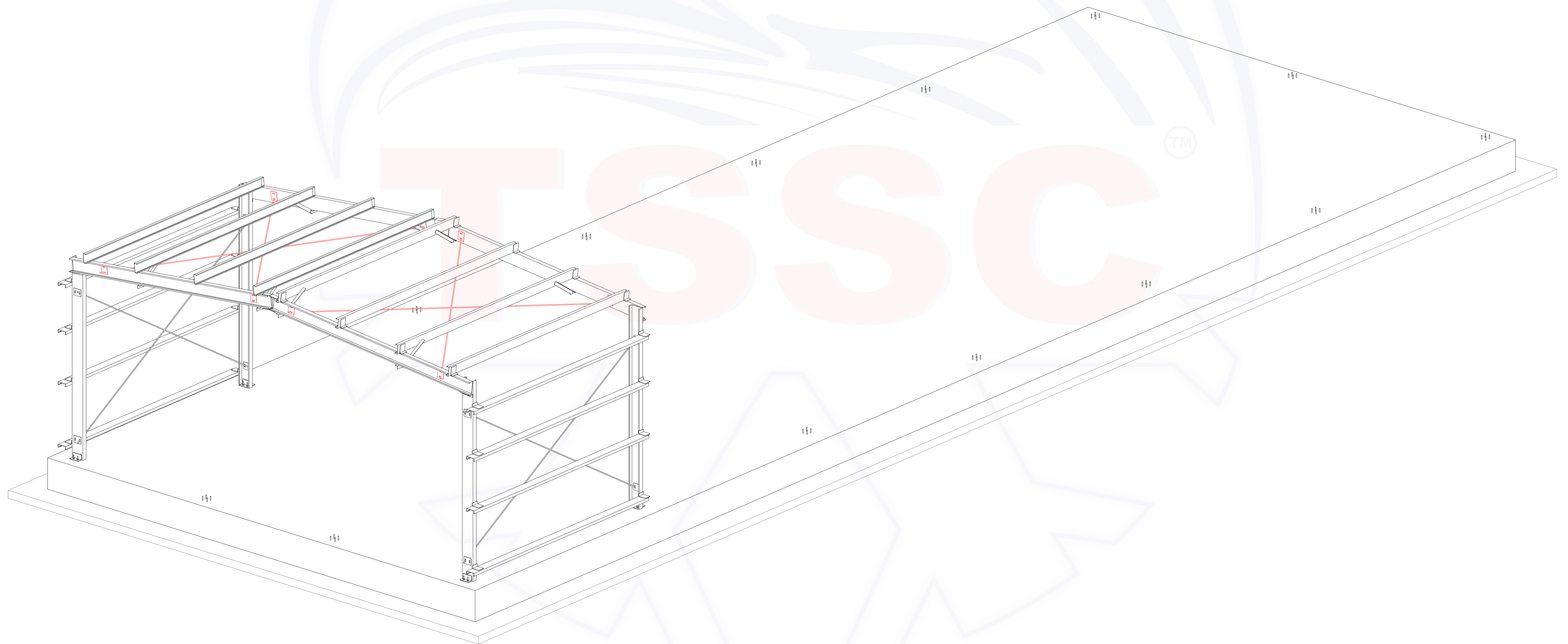
STEP 4: INSTALL THE RAFTERS



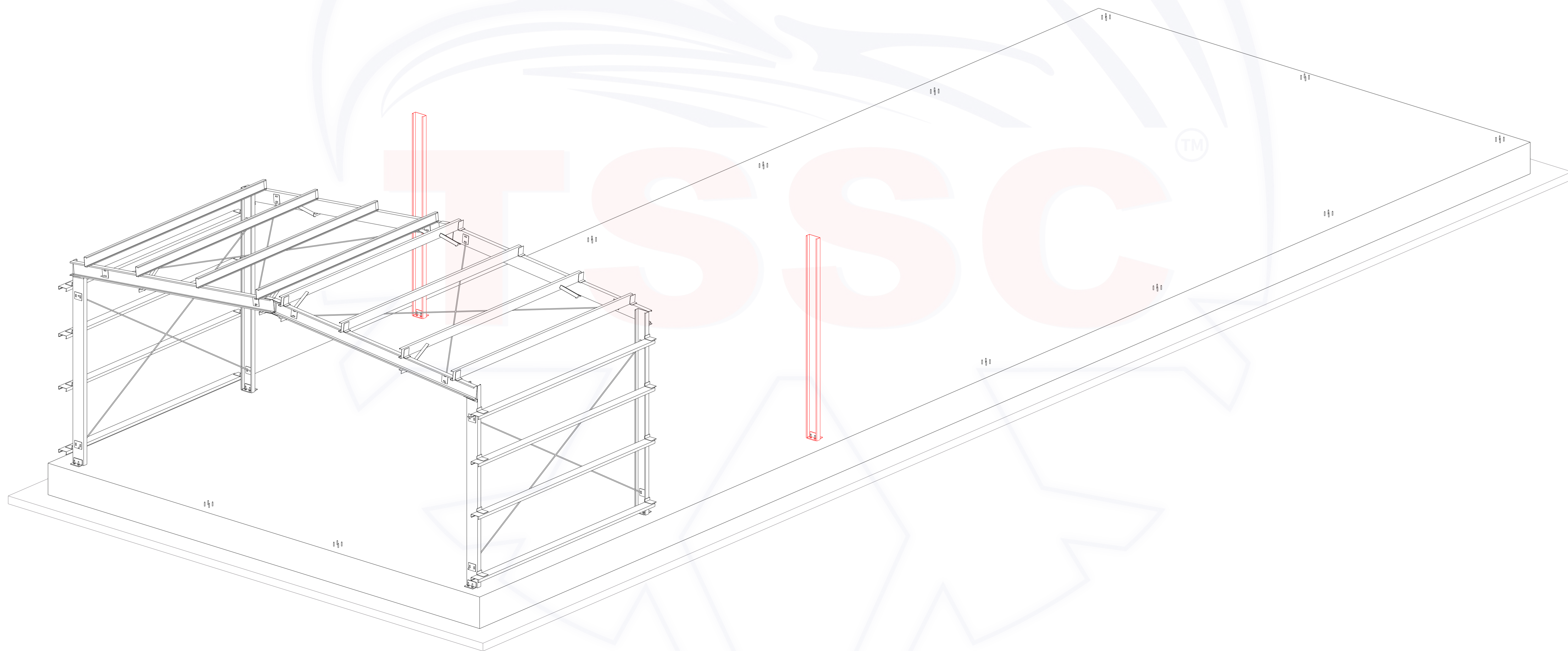
STEP 5: INSTALL THE WALL BRACINGS



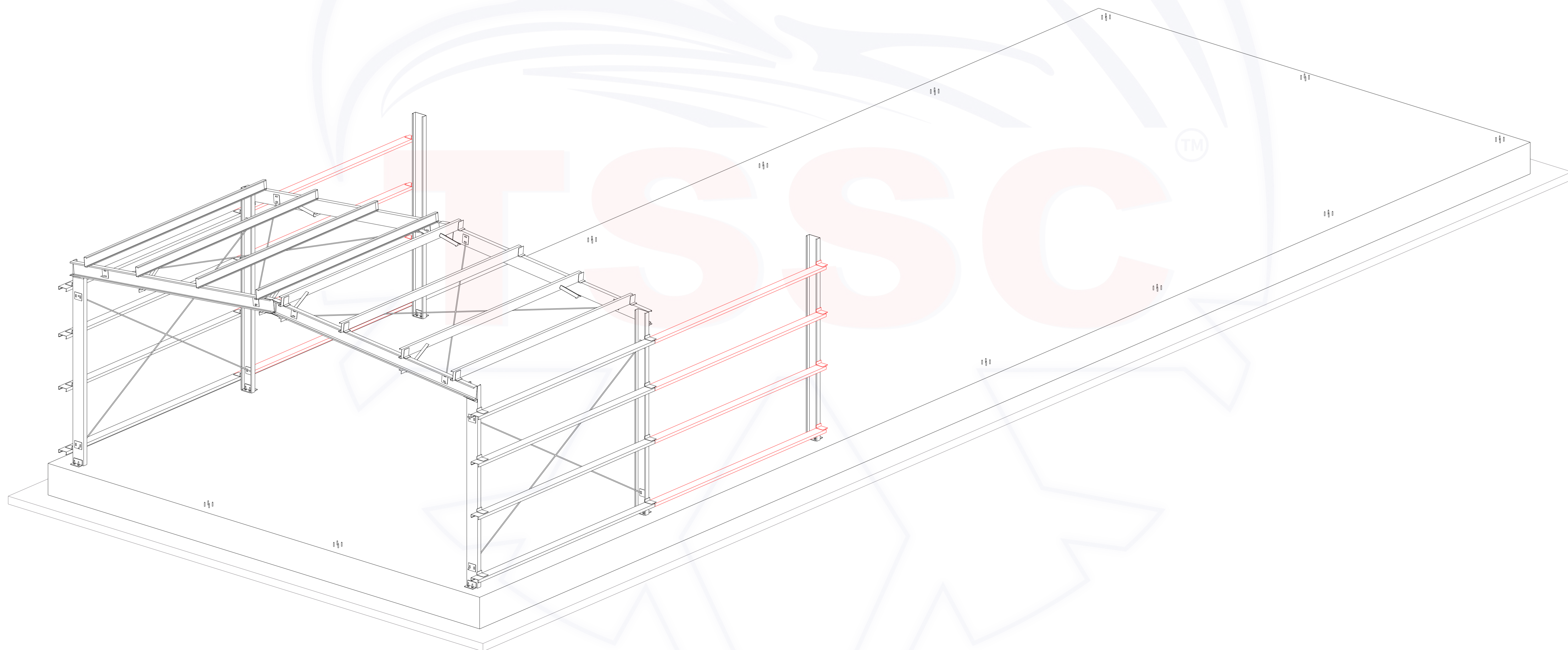
STEP 6: FIX THE ROOF PURLINS TO RAFTERS



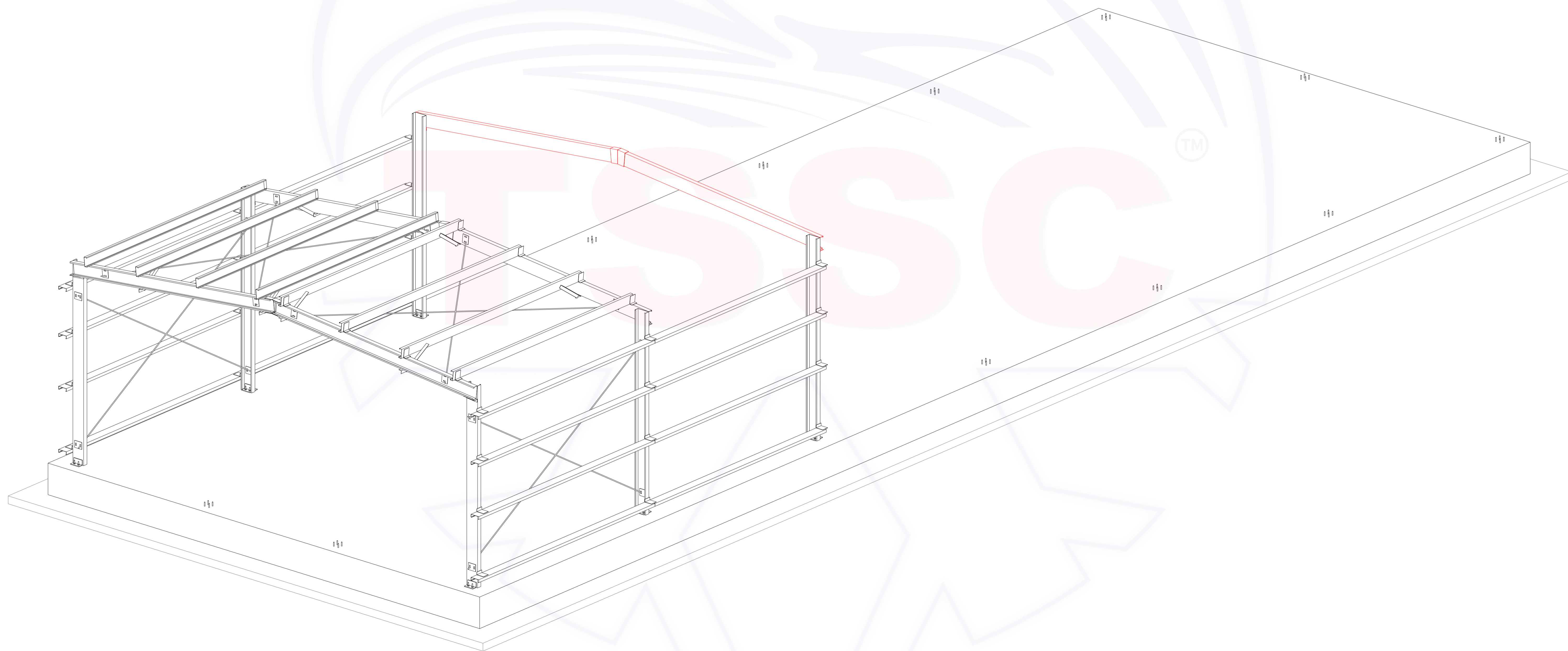
STEP 7: INSTALL THE ROOF BRACINGS



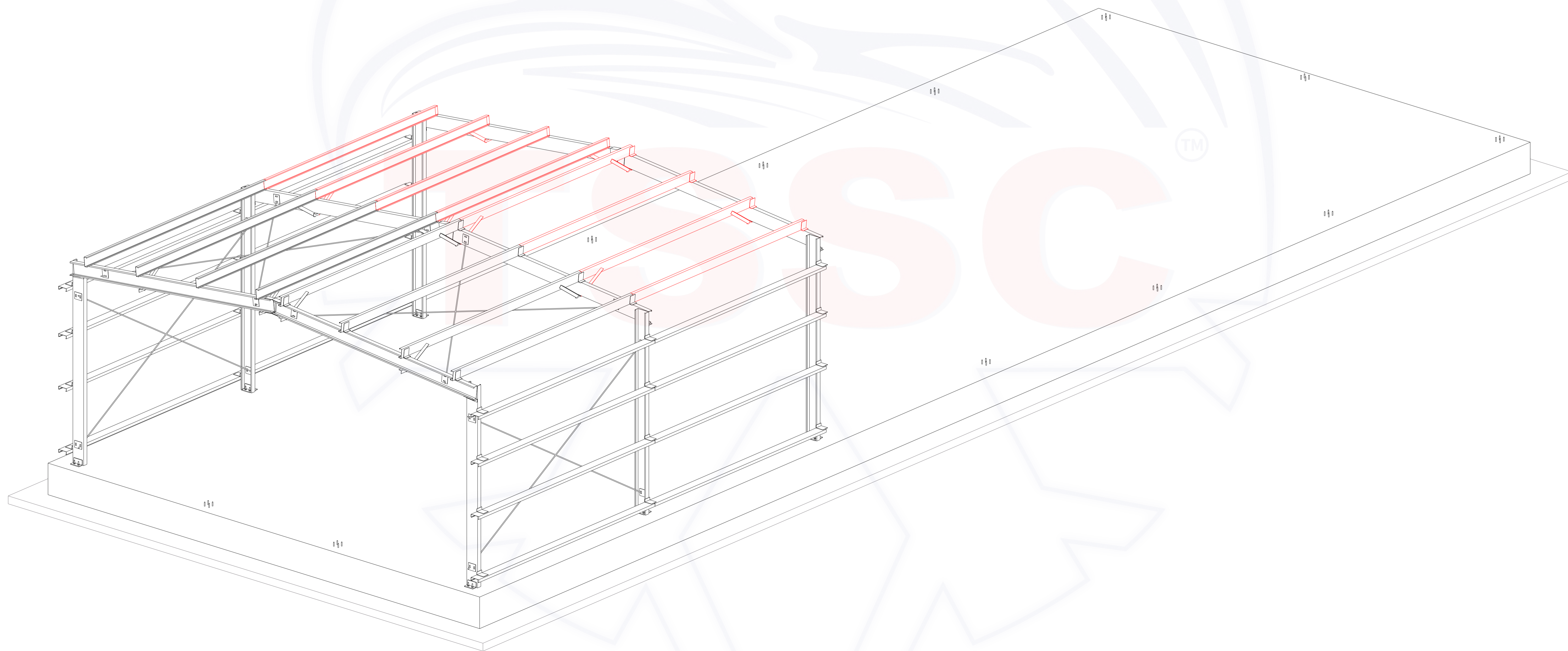
STEP 8: INSTALL THE COLUMNS OF THE ADJACENT BAY



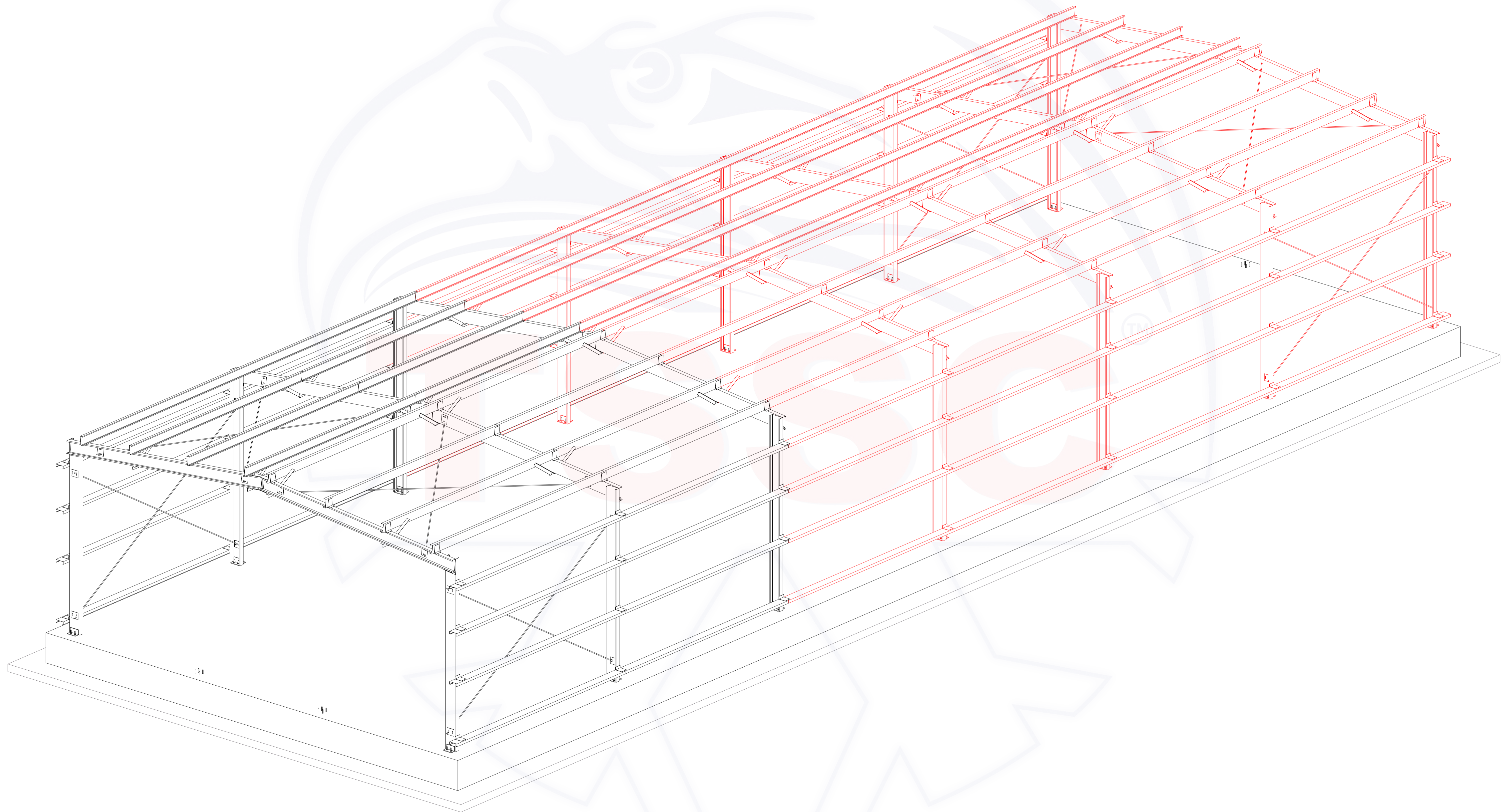
STEP 9: FIX THE WALL GIRTS TO COLUMNS



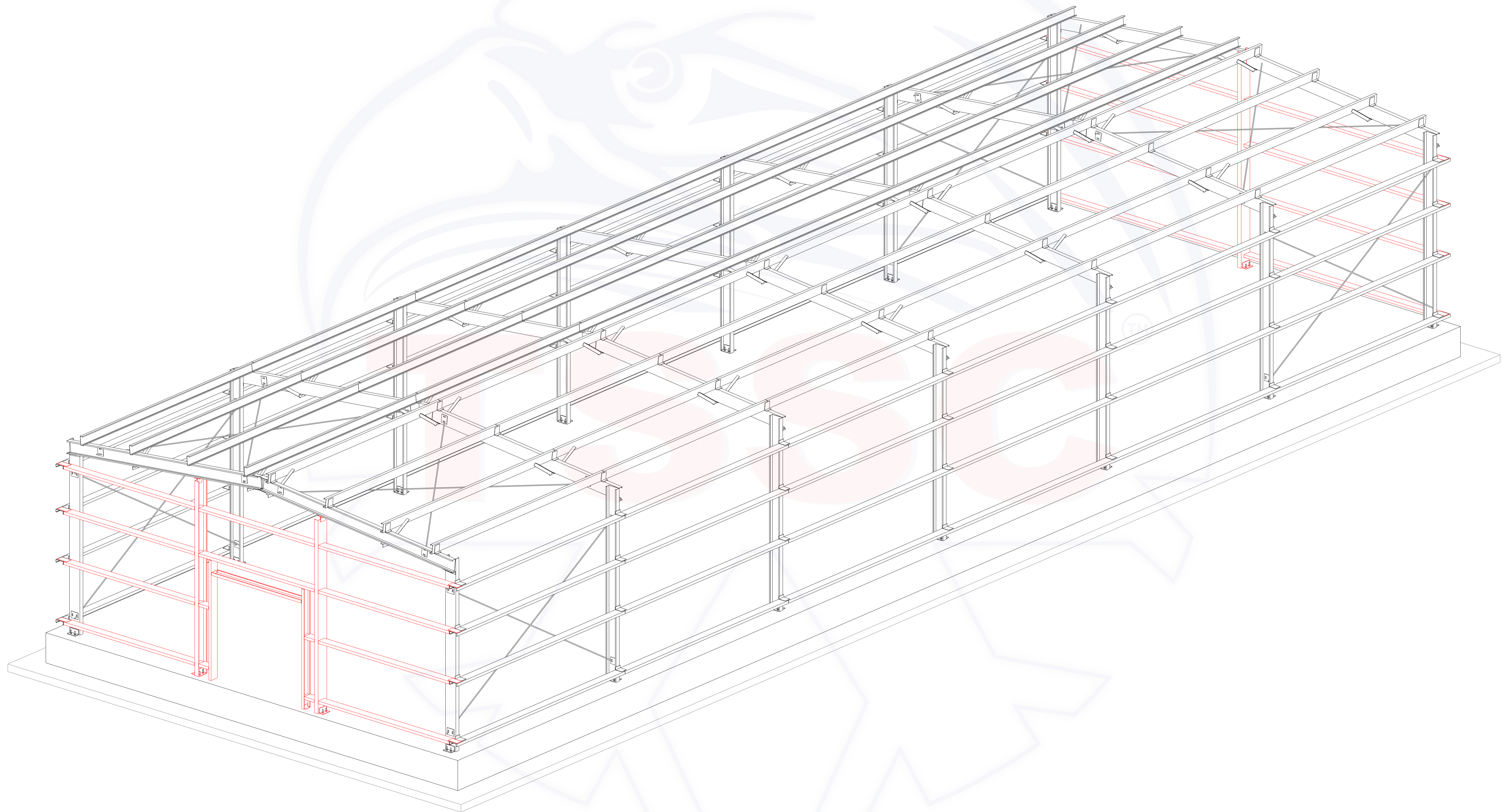
STEP 10: INSTALL THE RAFTERS



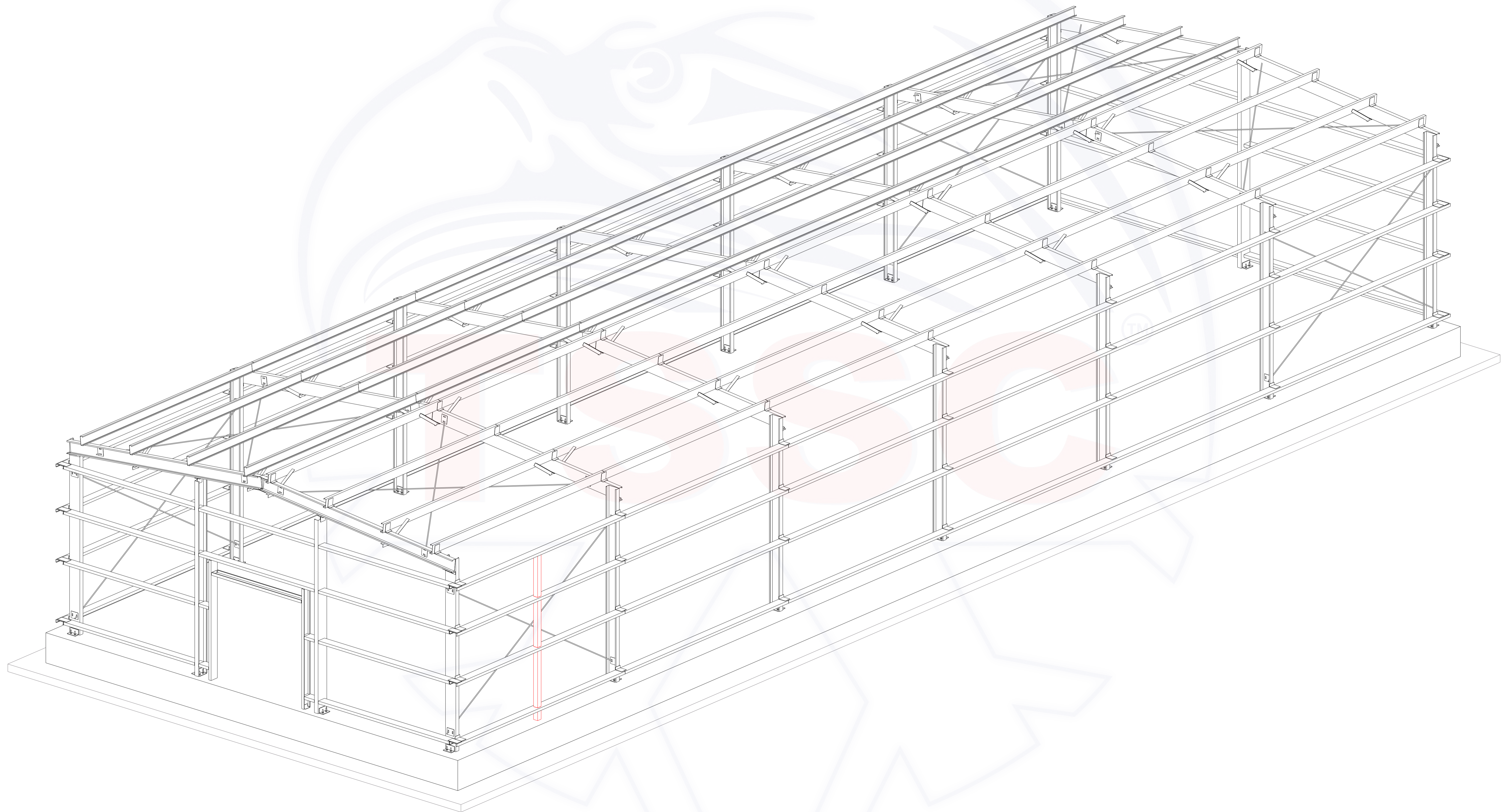
STEP 11: FIX THE ROOF PURLINS TO RAFTERS



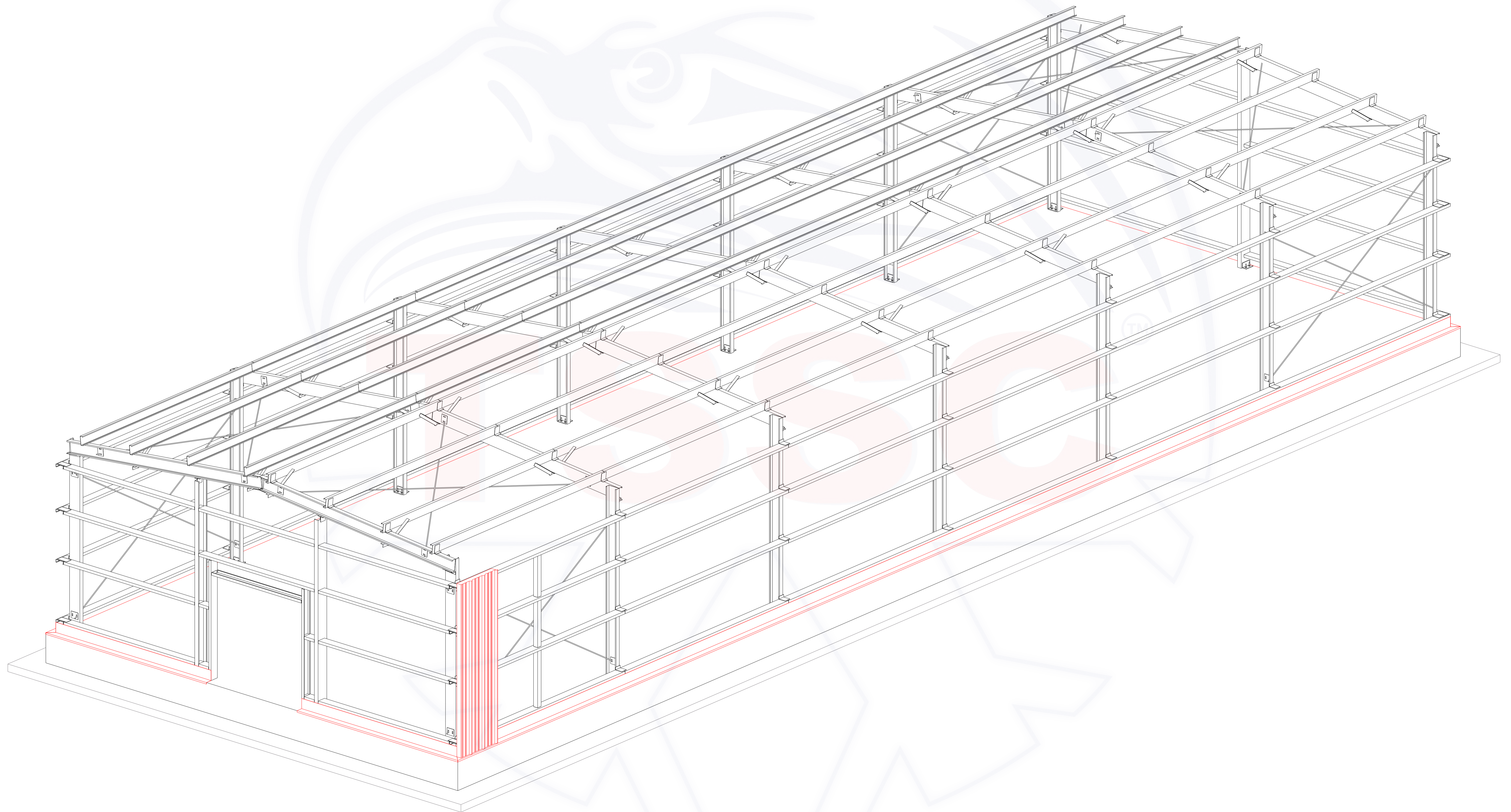
STEP 12: INSTALL ALL REMAINING COLUMNS, RAFTERS, WALL GIRTS & ROOF PURLINS



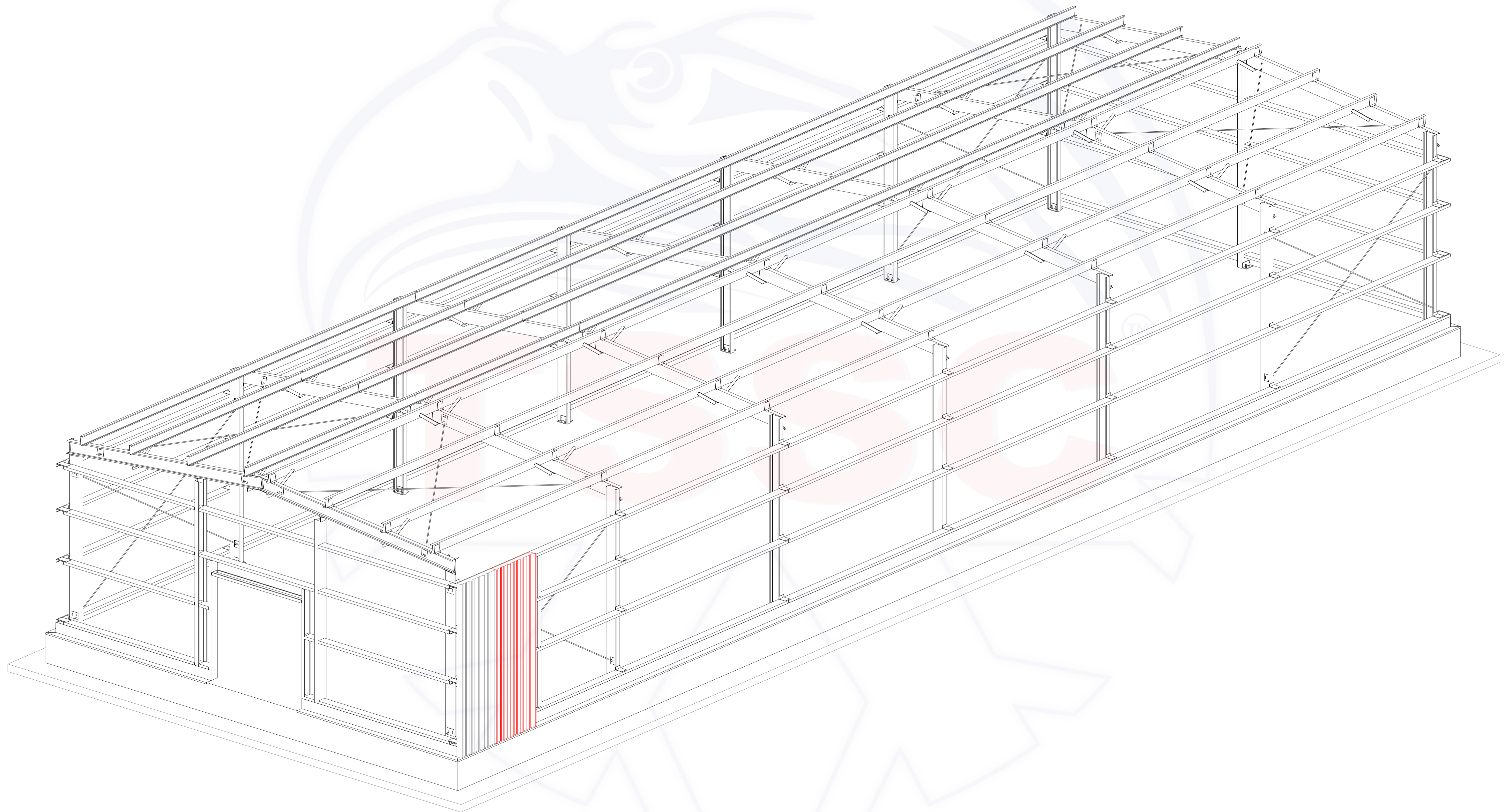
STEP 13: INSTALL ALL ENDWALL COLUMNS & WALL GIRTS



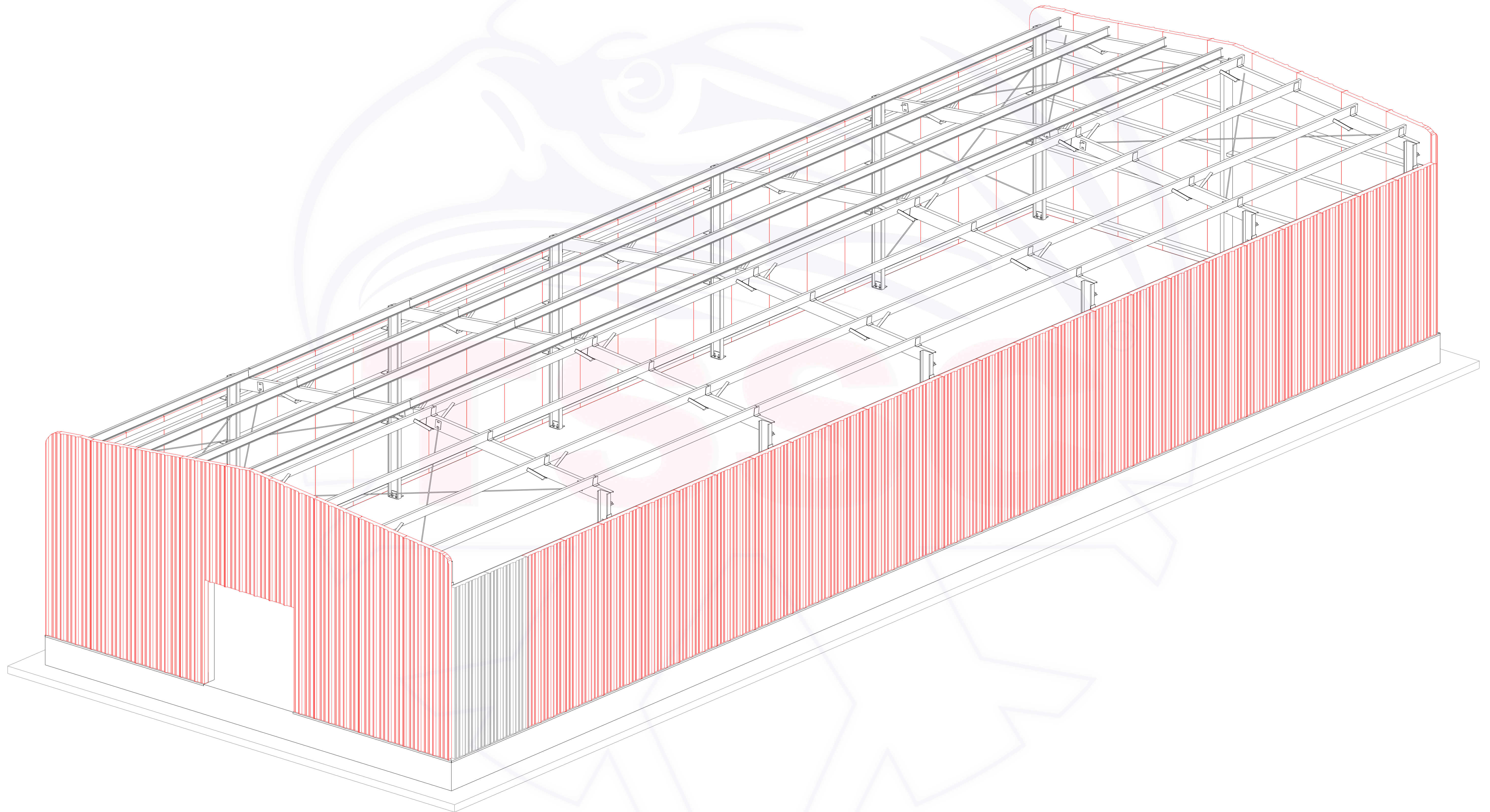
STEP 14: PROVIDE TEMPORARY VERTICAL TIMBER POSTS TO WALL GIRTS



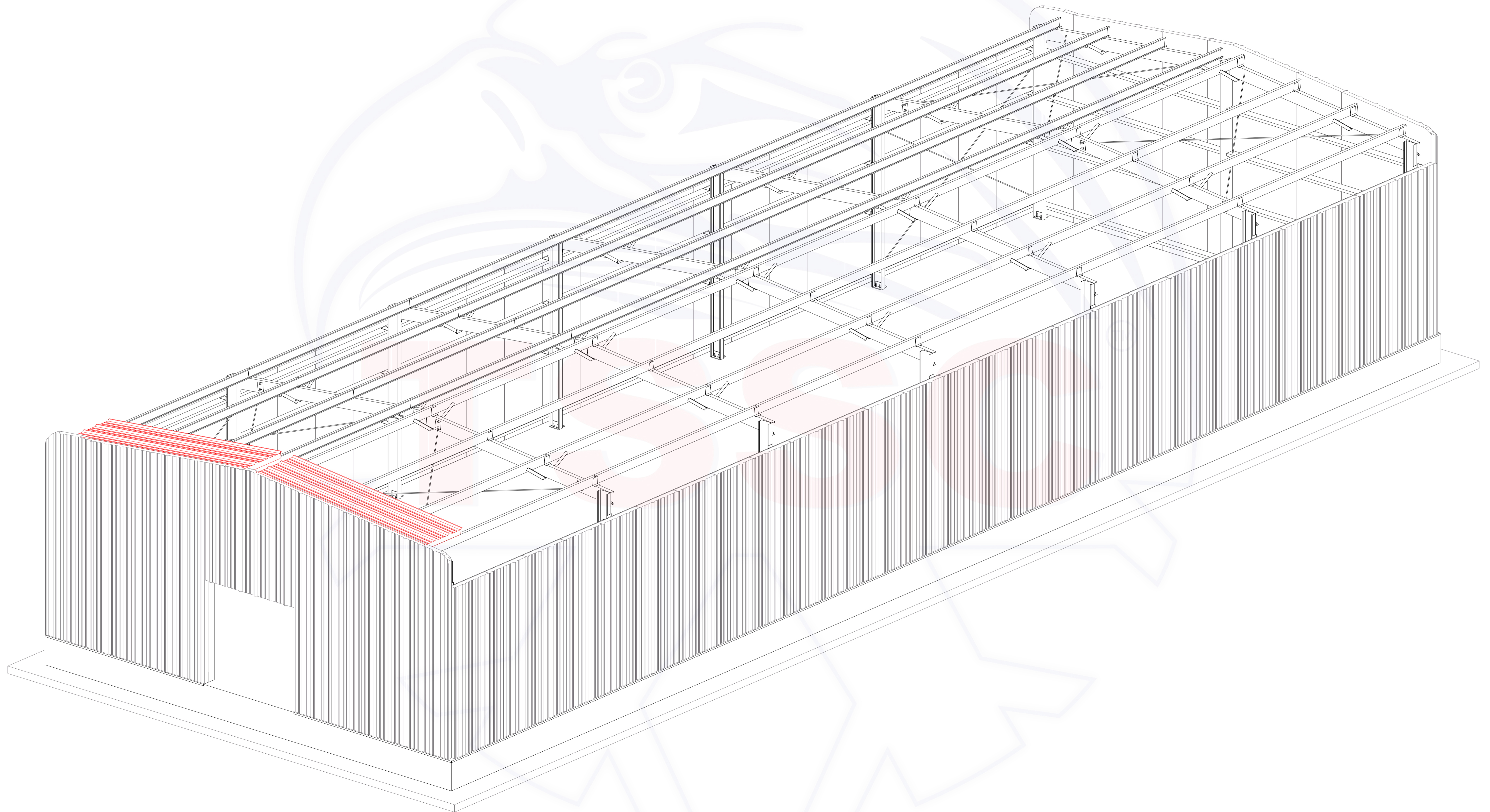
STEP 15: INSTALL THE FIRST WALL PANEL



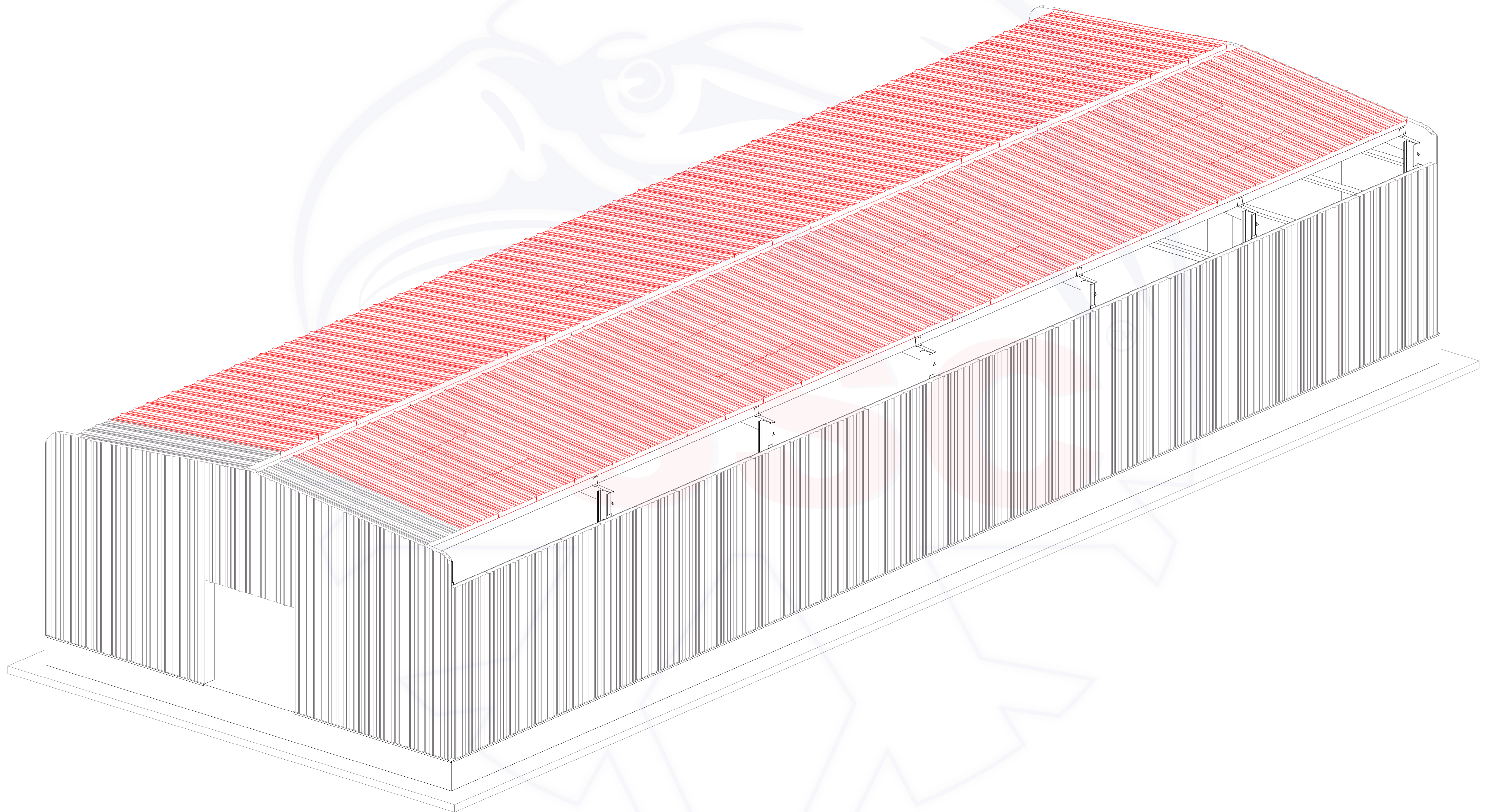
STEP 16: INSTALL THE SECOND WALL PANEL



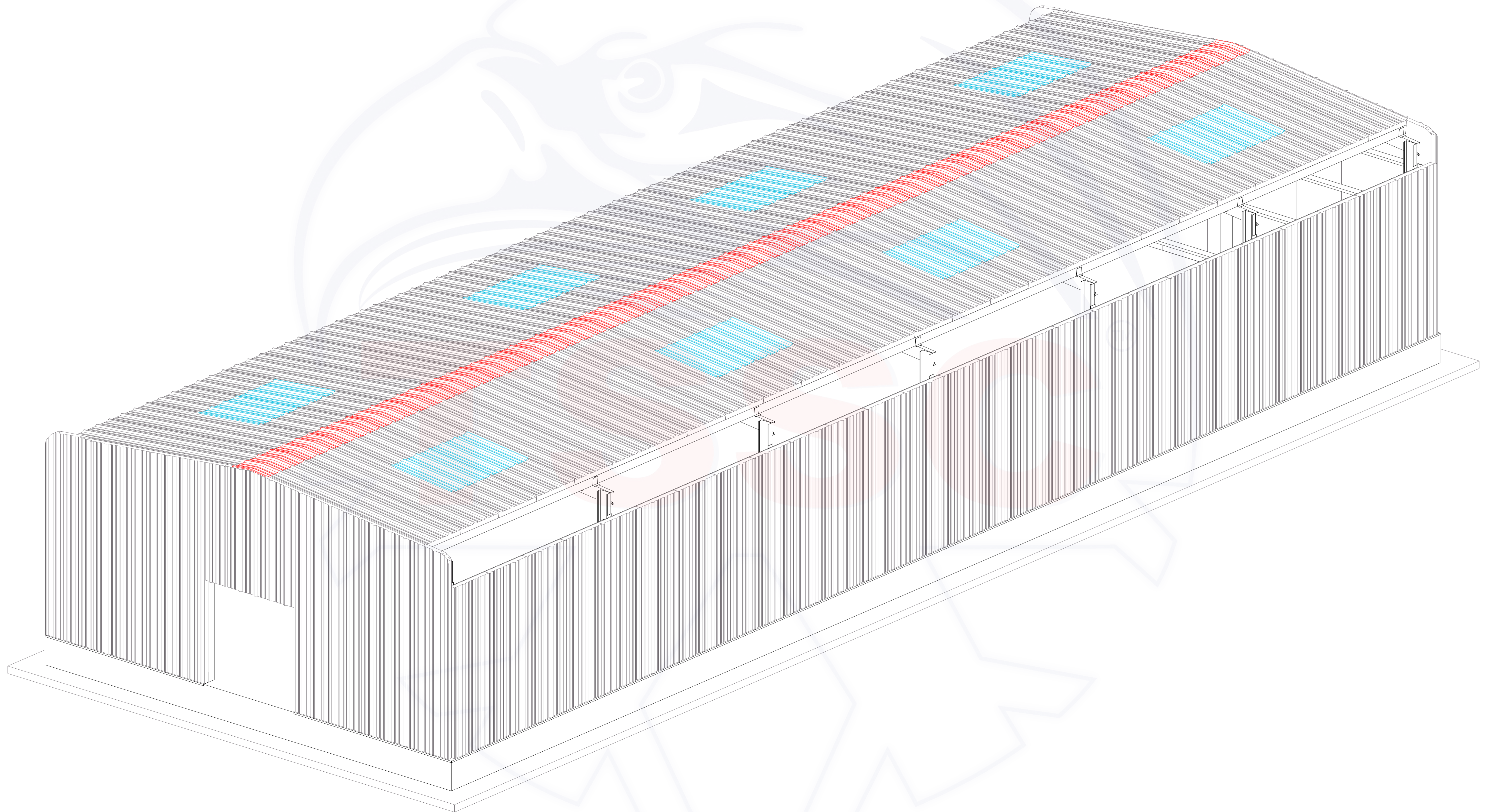
STEP 17: INSTALL ALL THE REMAINING WALL PANELS



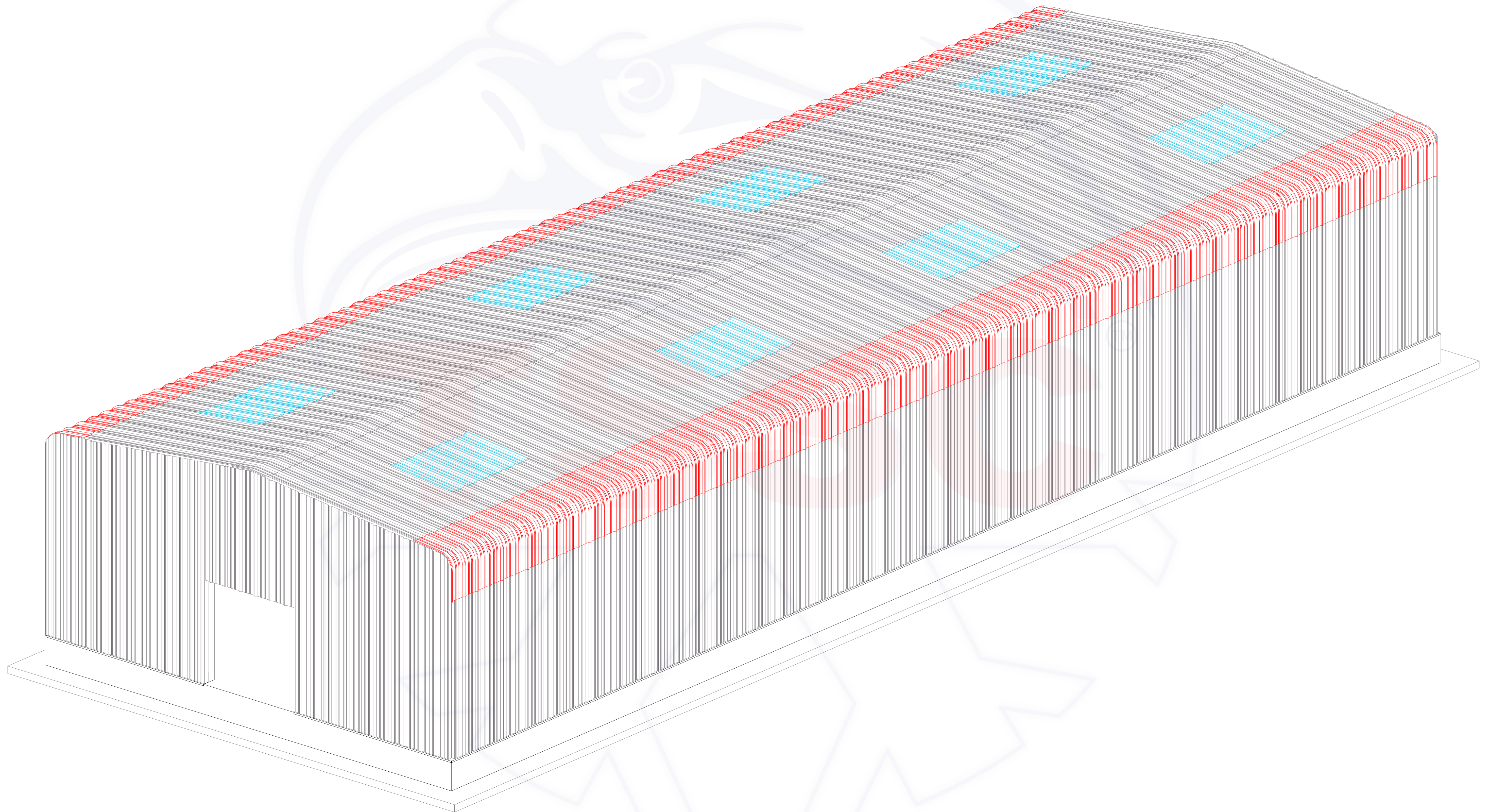
STEP 18: FIX THE FIRST LINE OF ROOF PANELS



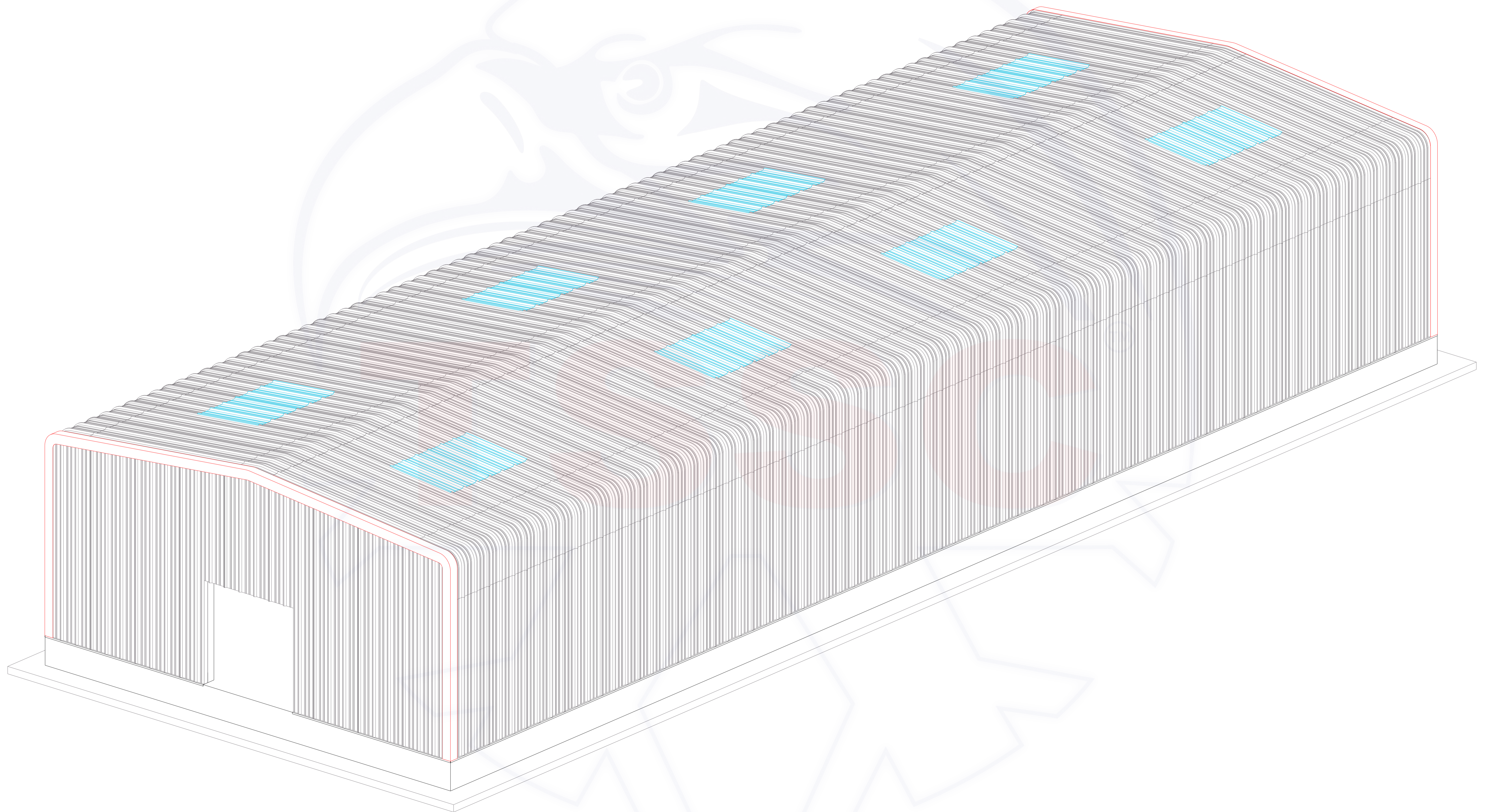
STEP 19: INSTALL ALL THE REMAINING ROOF PANELS



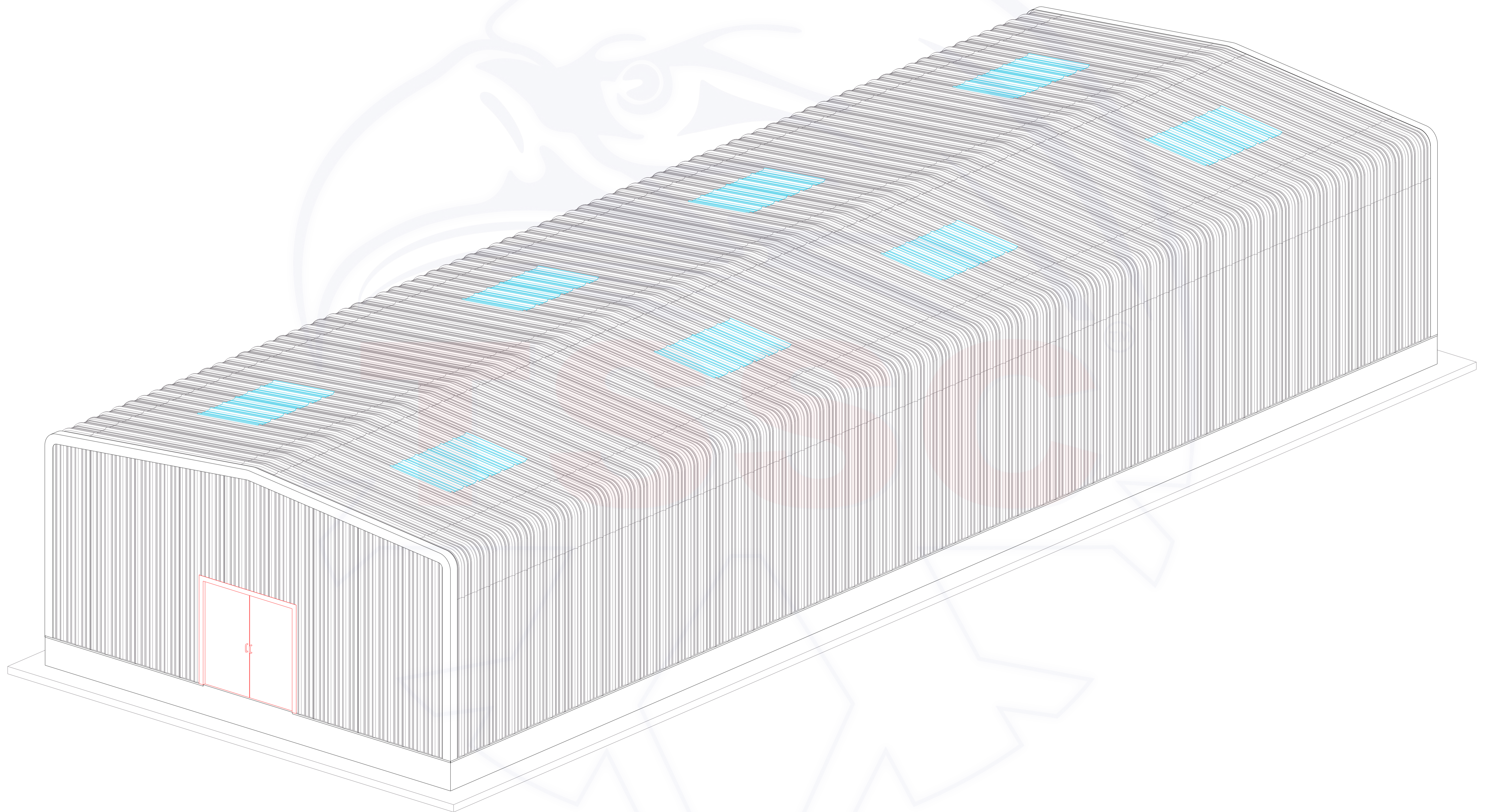
STEP 20: FIX THE RIDGE PROFILE



STEP 21: INSTALL THE EAVE TRIMS



STEP 22: FIX THE FLASHINGS



STEP 23: INSTALL THE DOOR