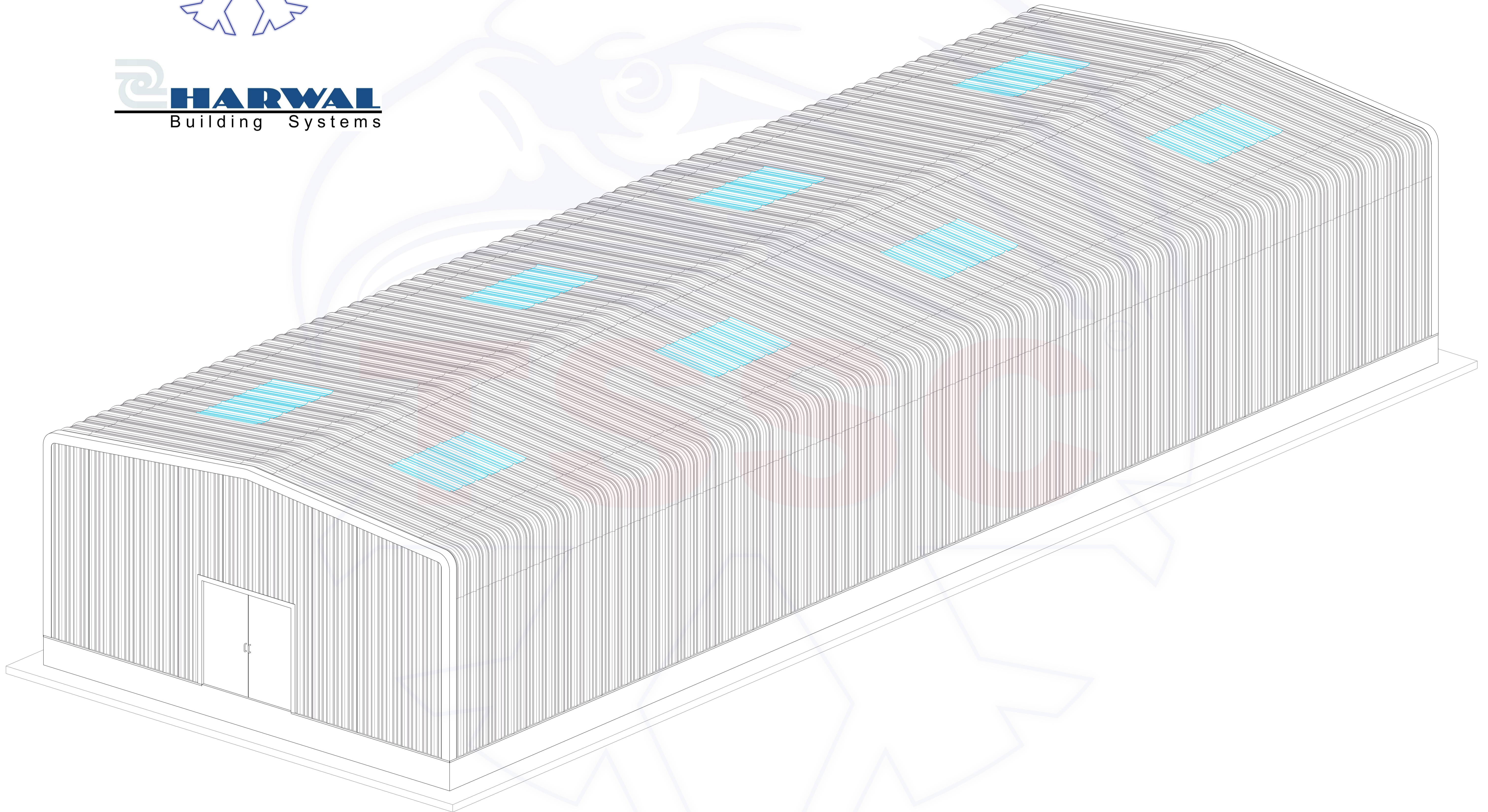




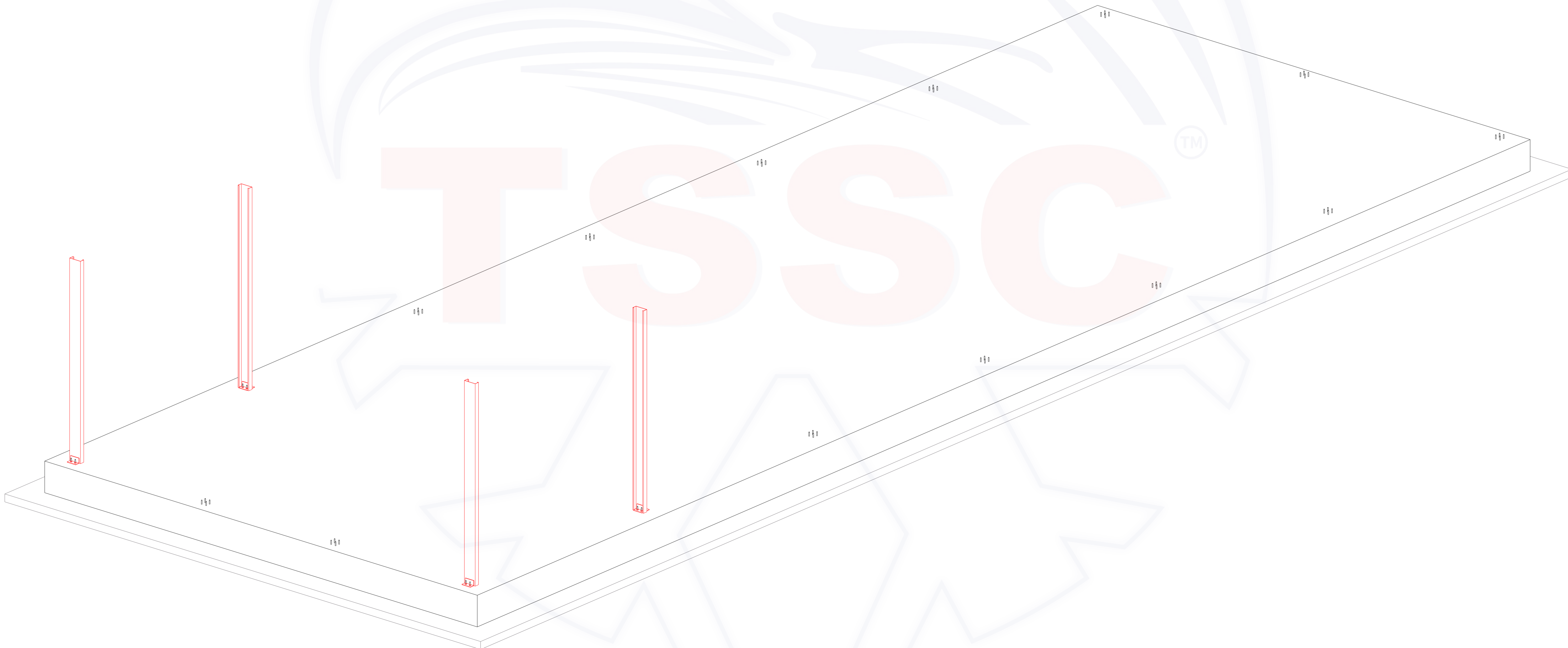
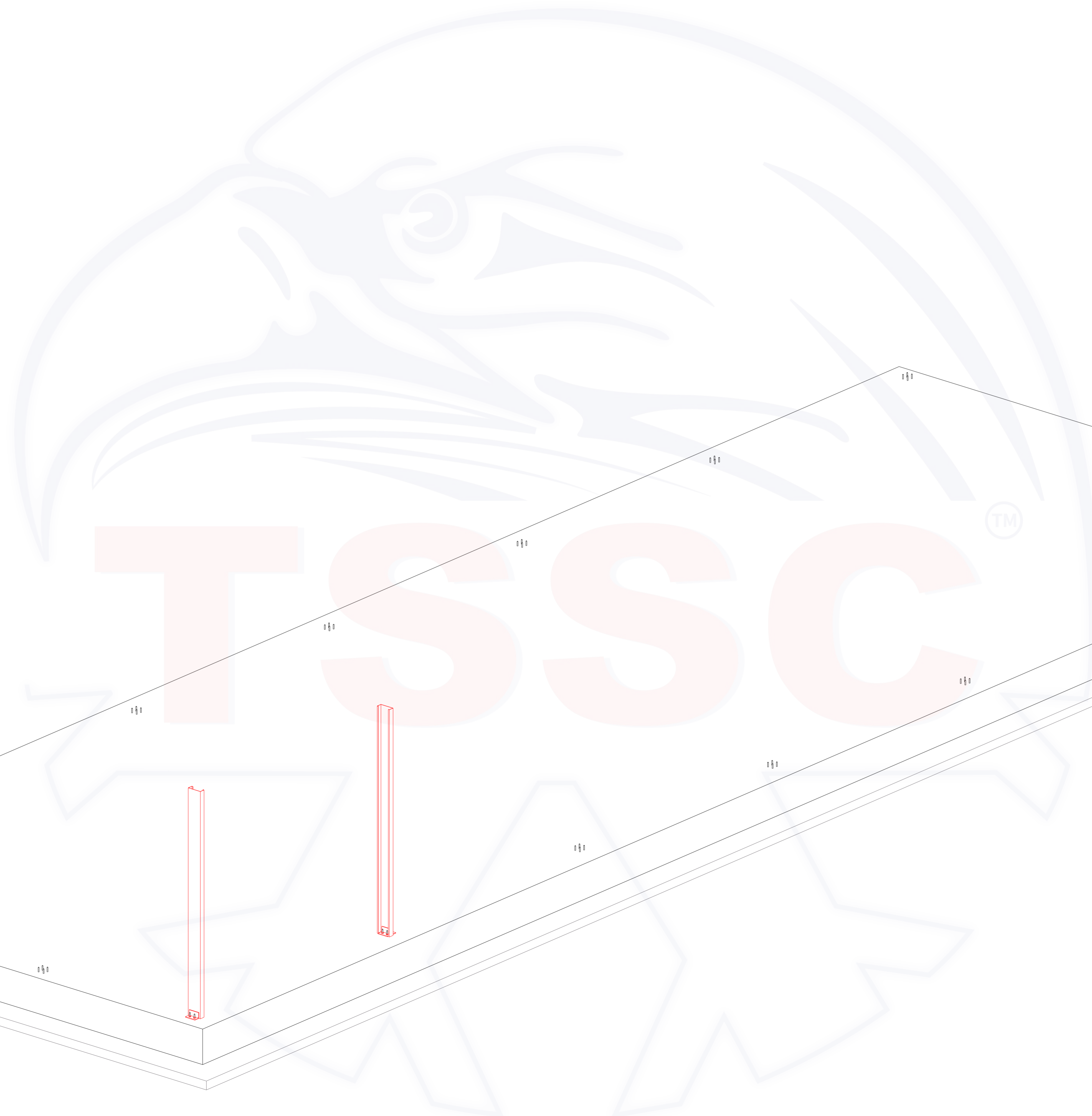
# STEEL WAREHOUSES

## INSTALLATION PROCESS

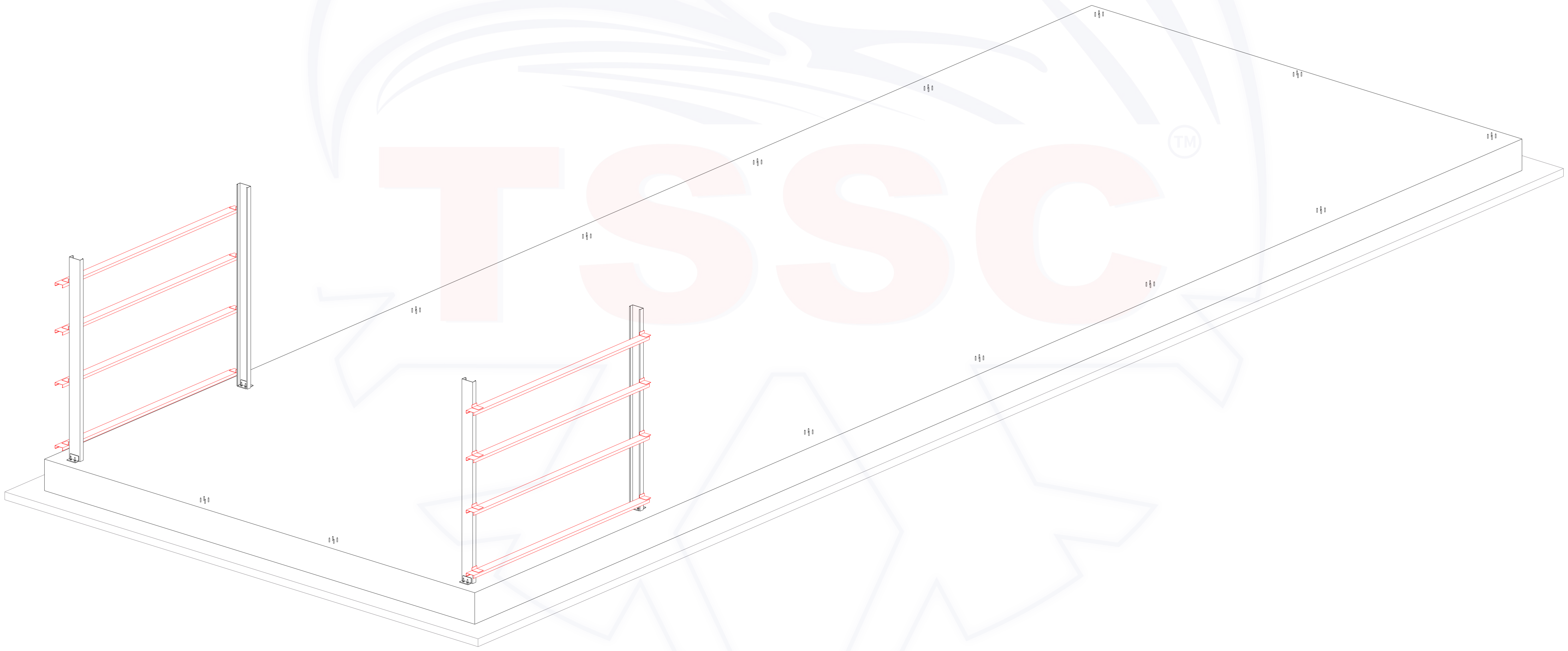
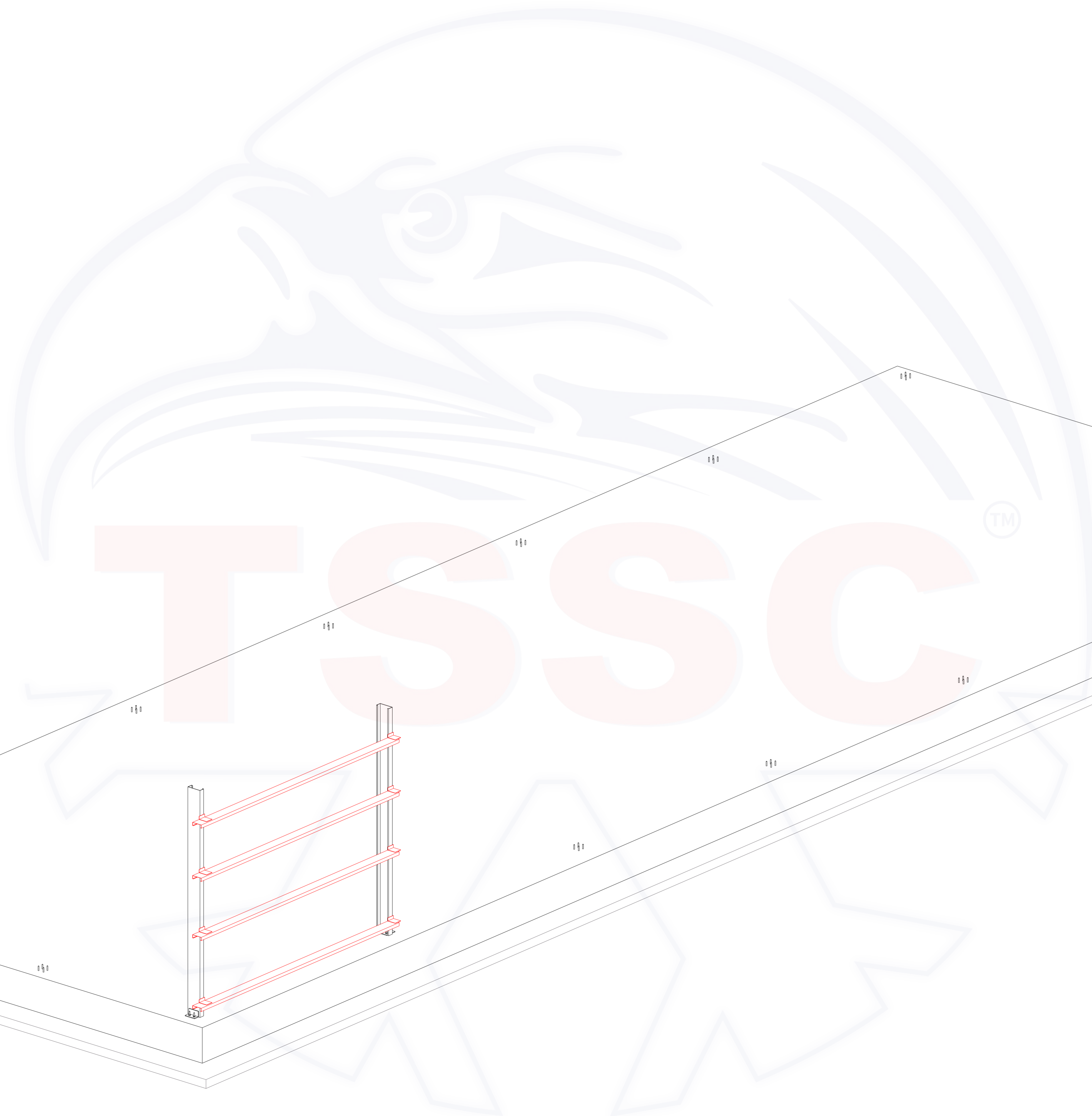




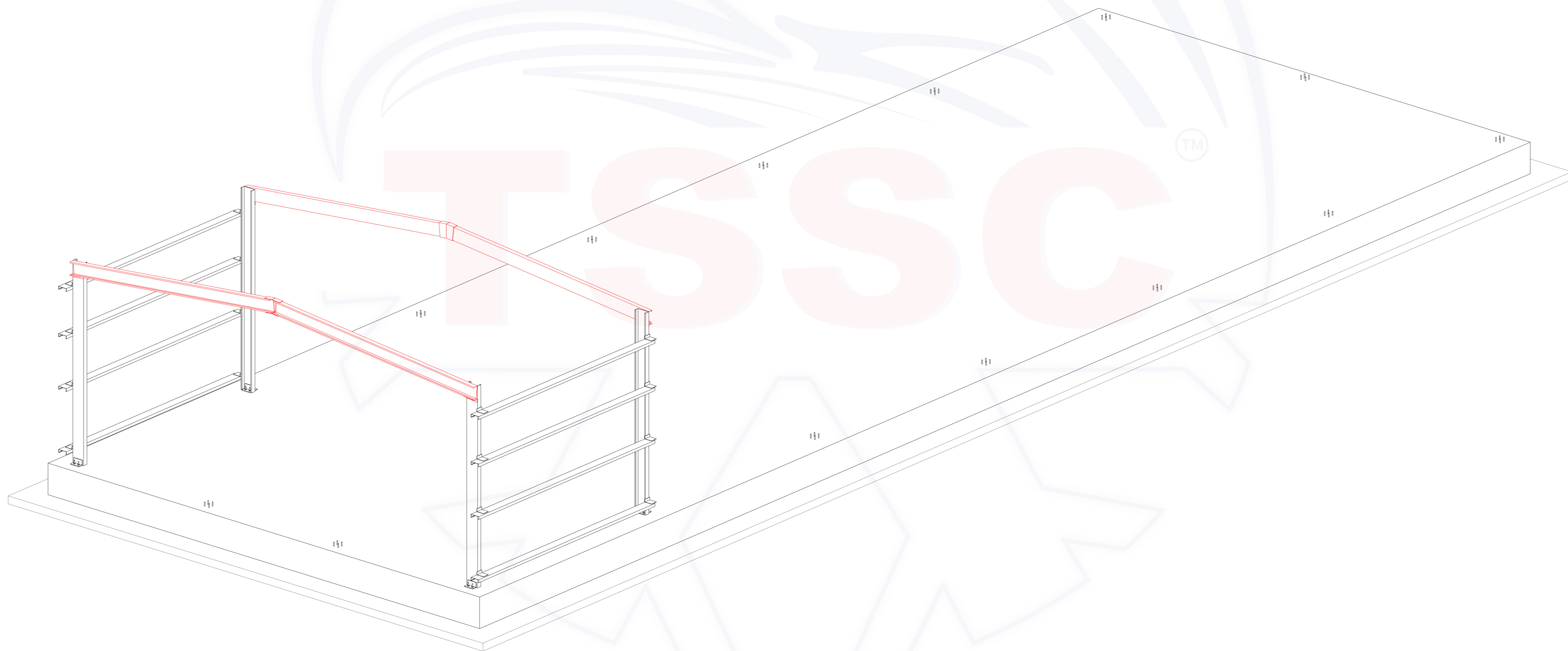
## STEP 1: ANCHOR BOLTS CHECKING



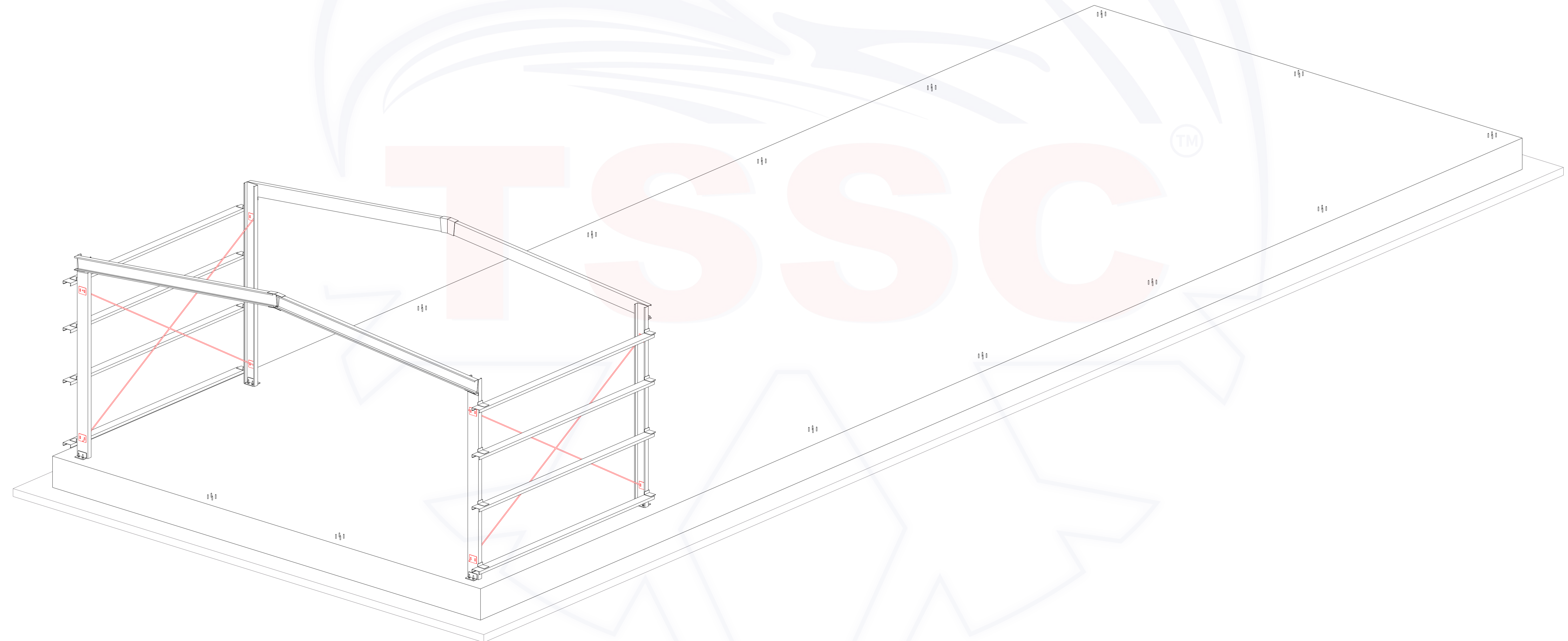
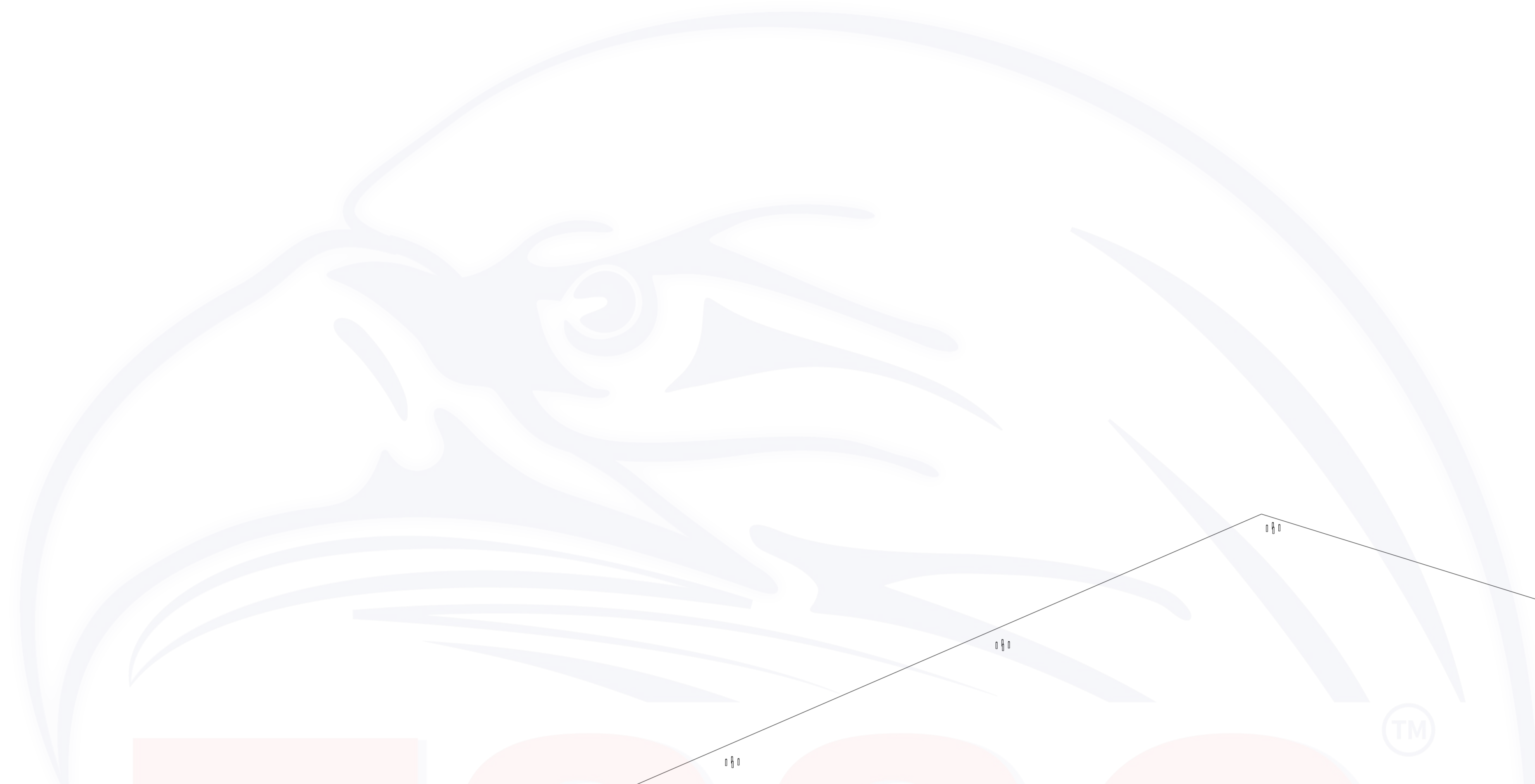
STEP 2: INSTALL COLUMNS AT BRACED BAY



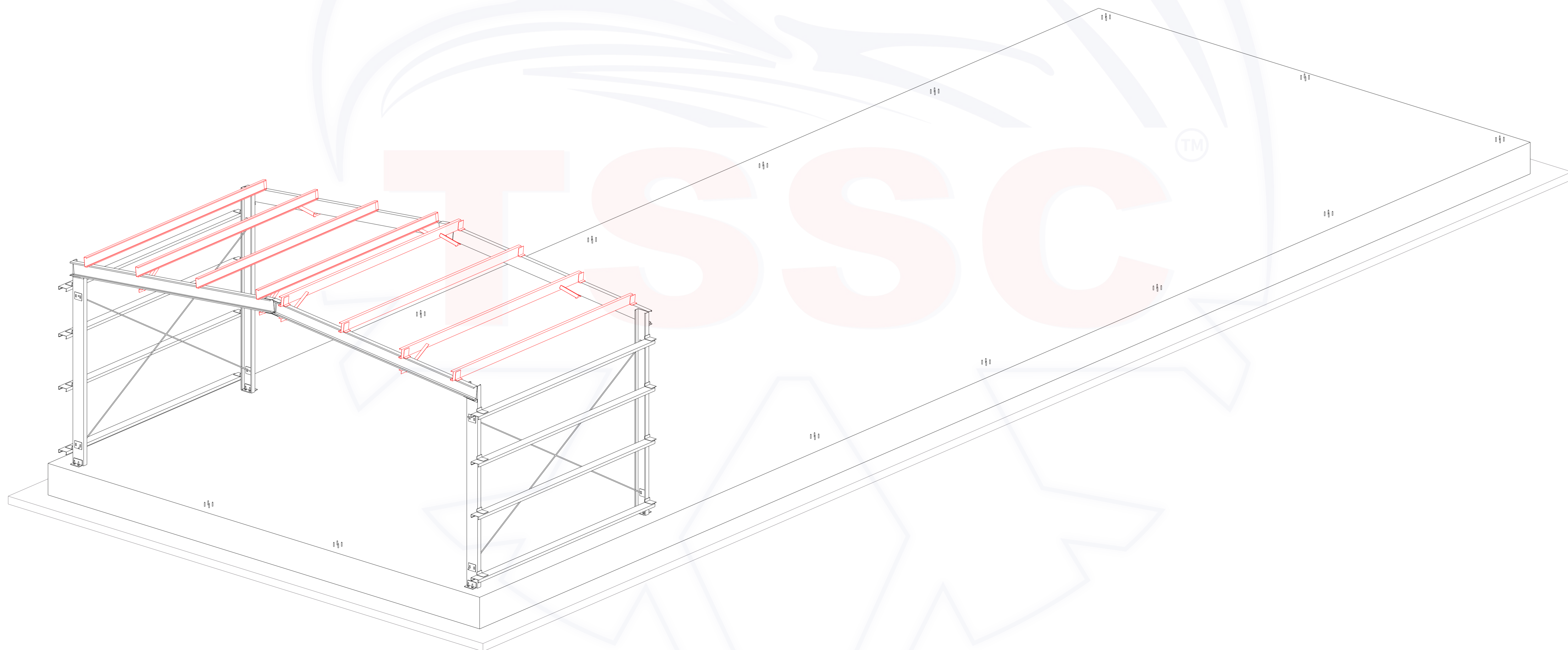
**STEP 3: FIX THE WALL GIRTS TO COLUMNS**



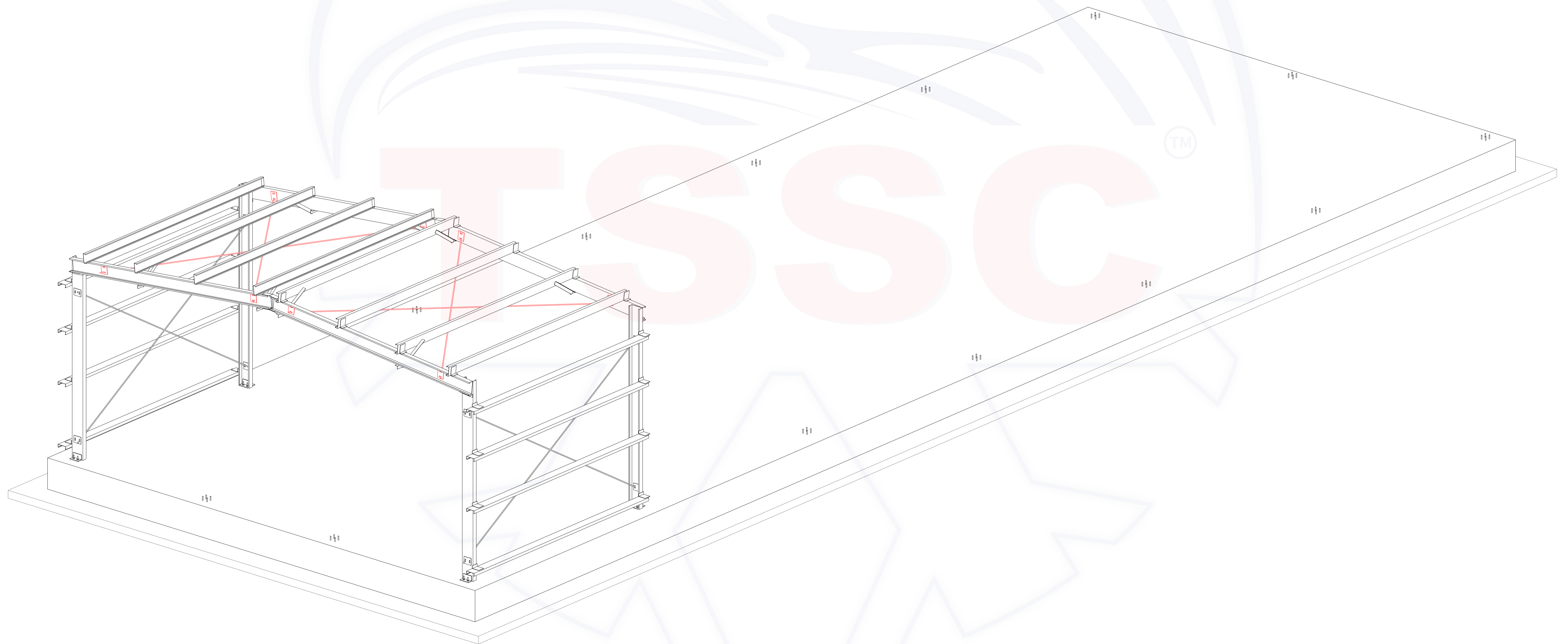
STEP 4: INSTALL THE RAFTERS



**STEP 5: INSTALL THE WALL BRACINGS**

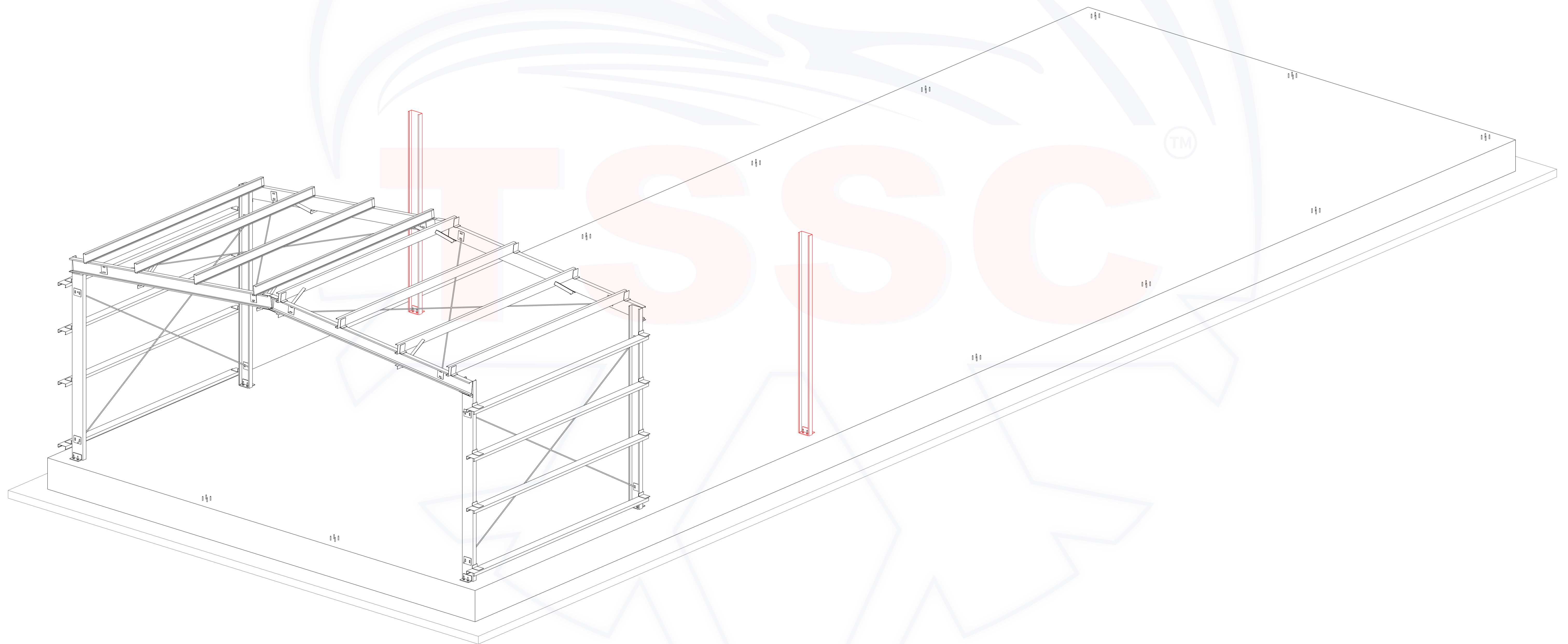


STEP 6: FIX THE ROOF PURLINS TO RAFTERS

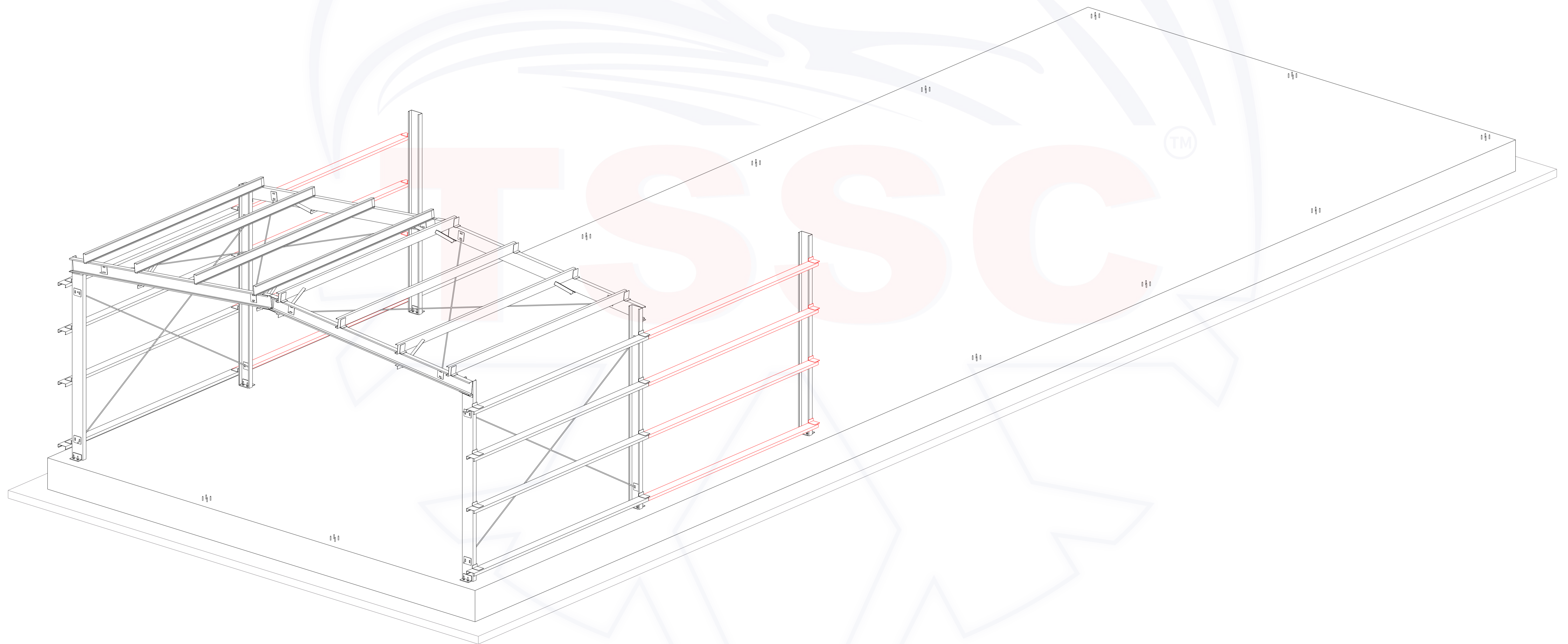


**STEP 7: INSTALL THE ROOF BRACINGS**

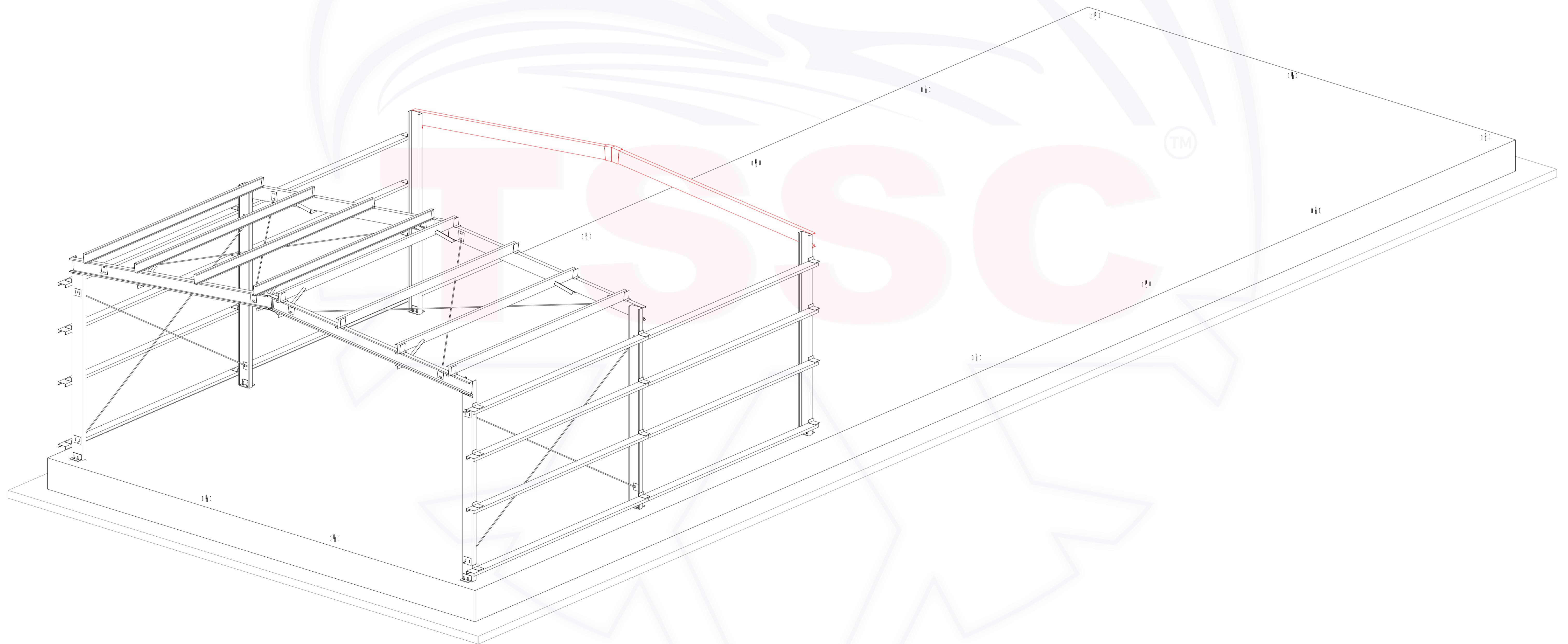




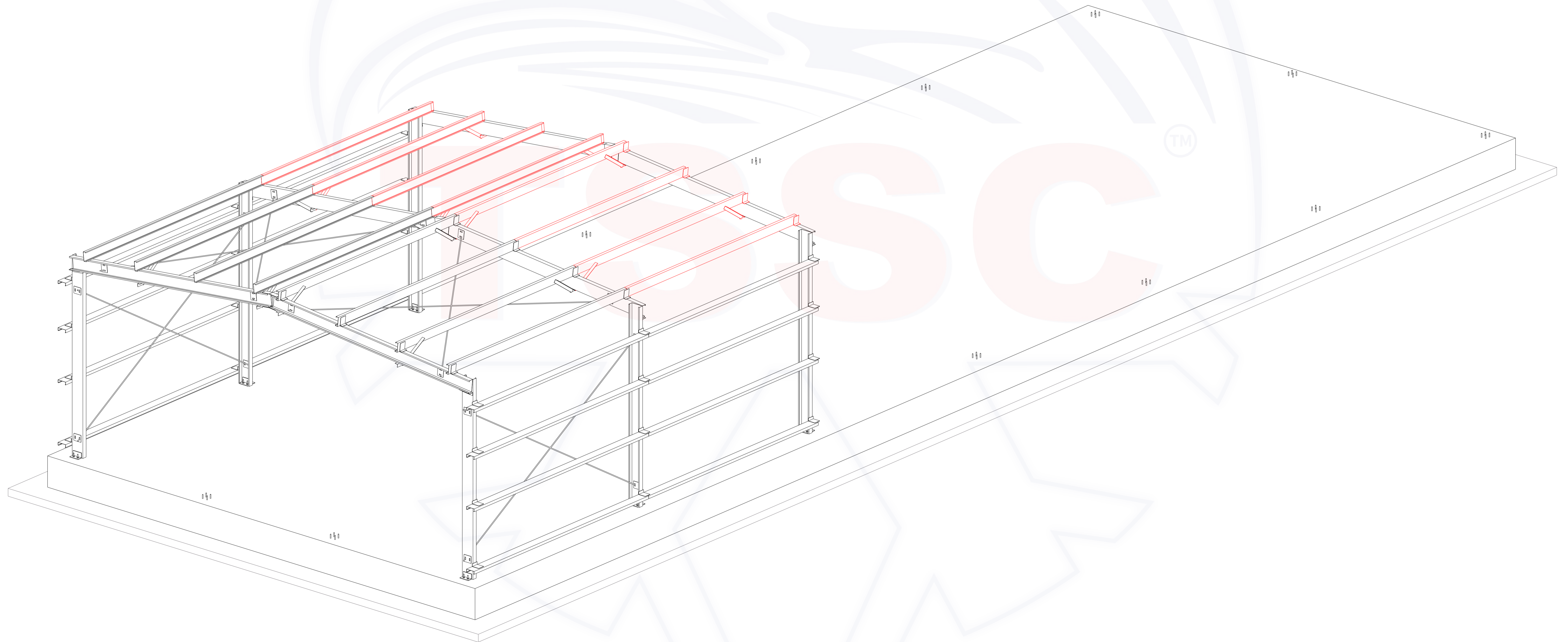
**STEP 8: INSTALL THE COLUMNS OF THE ADJACENT BAY**



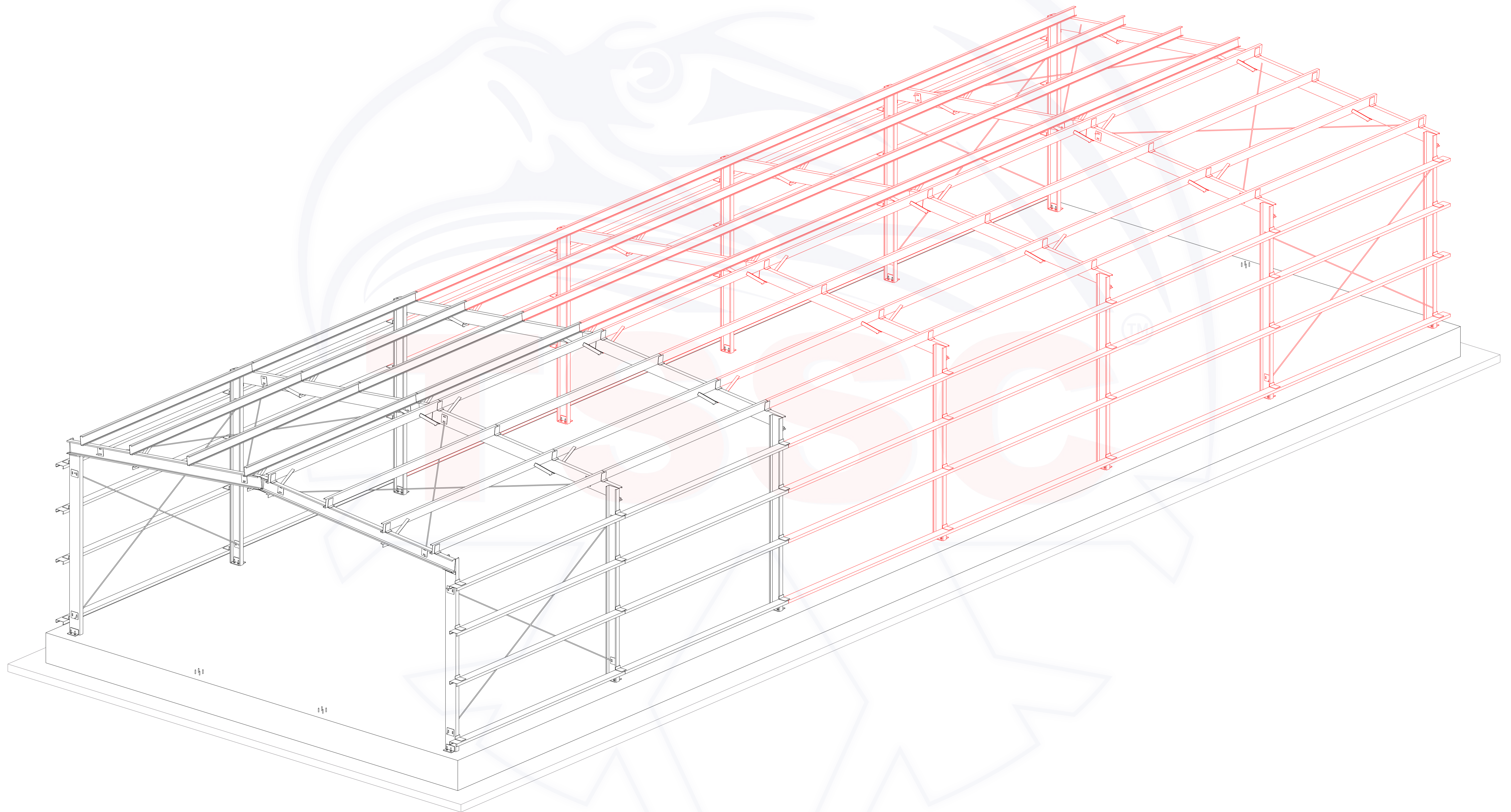
**STEP 9: FIX THE WALL GIRTS TO COLUMNS**



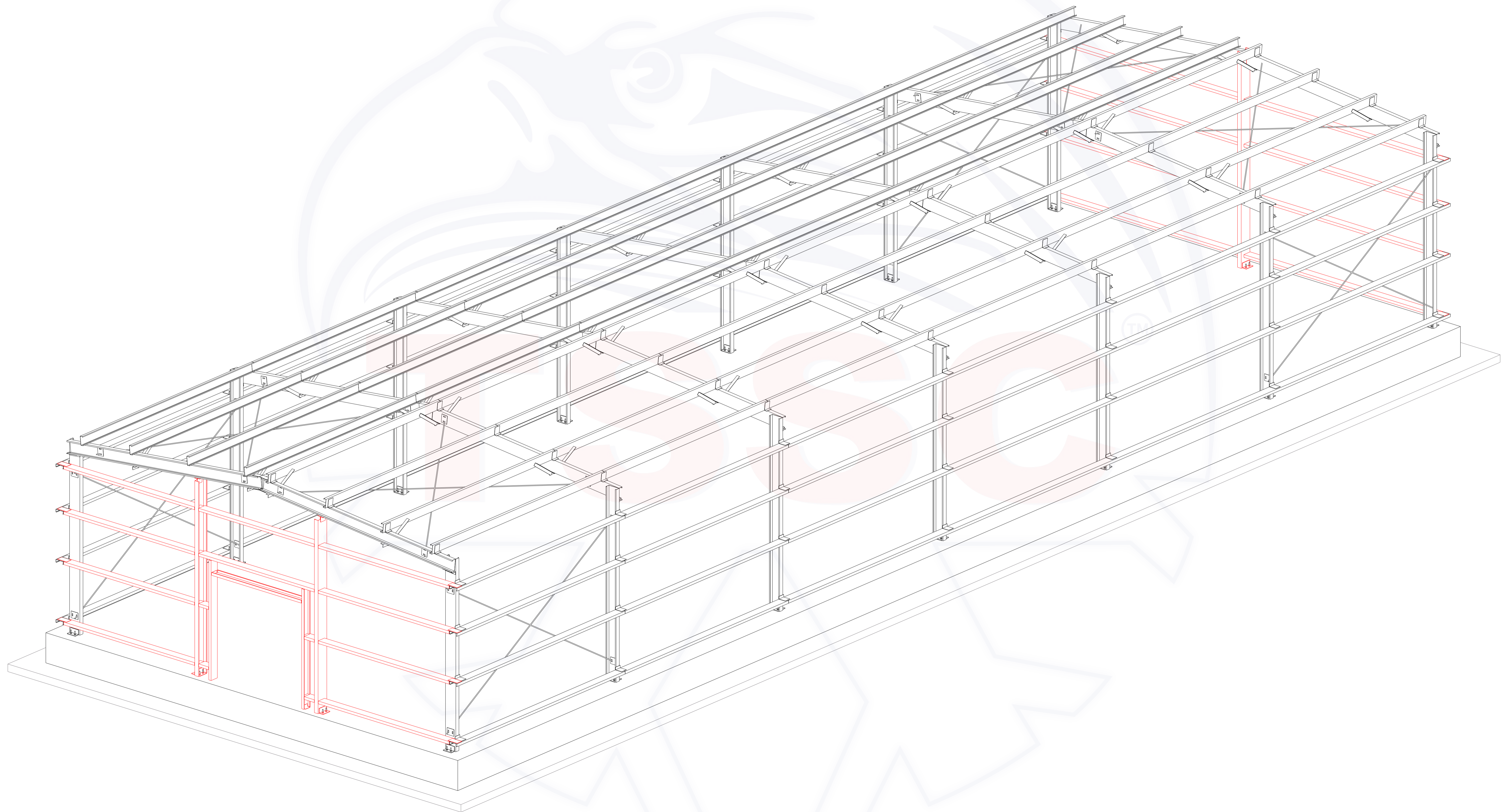
STEP 10: INSTALL THE RAFTERS



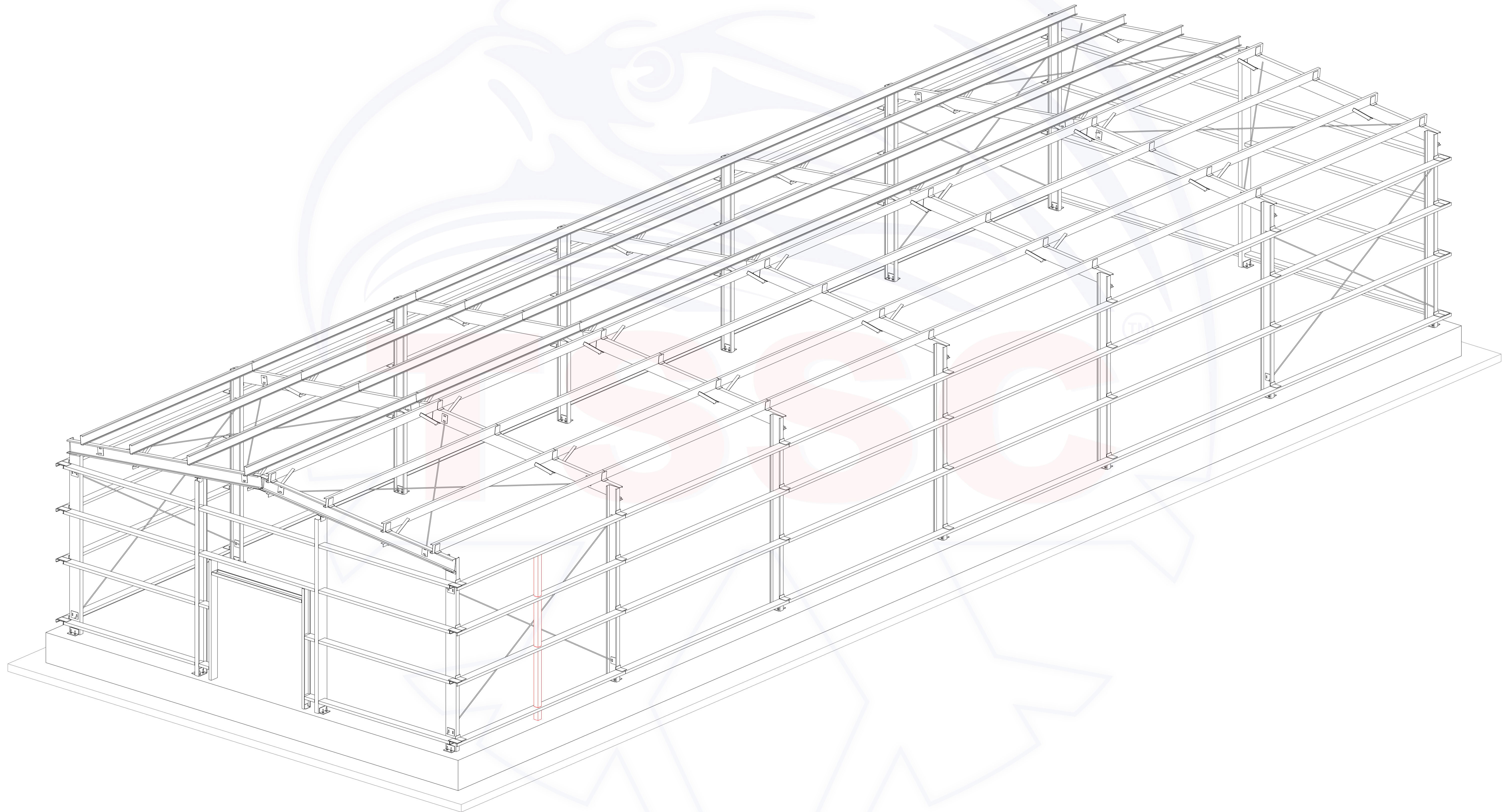
**STEP 11: FIX THE ROOF PURLINS TO RAFTERS**



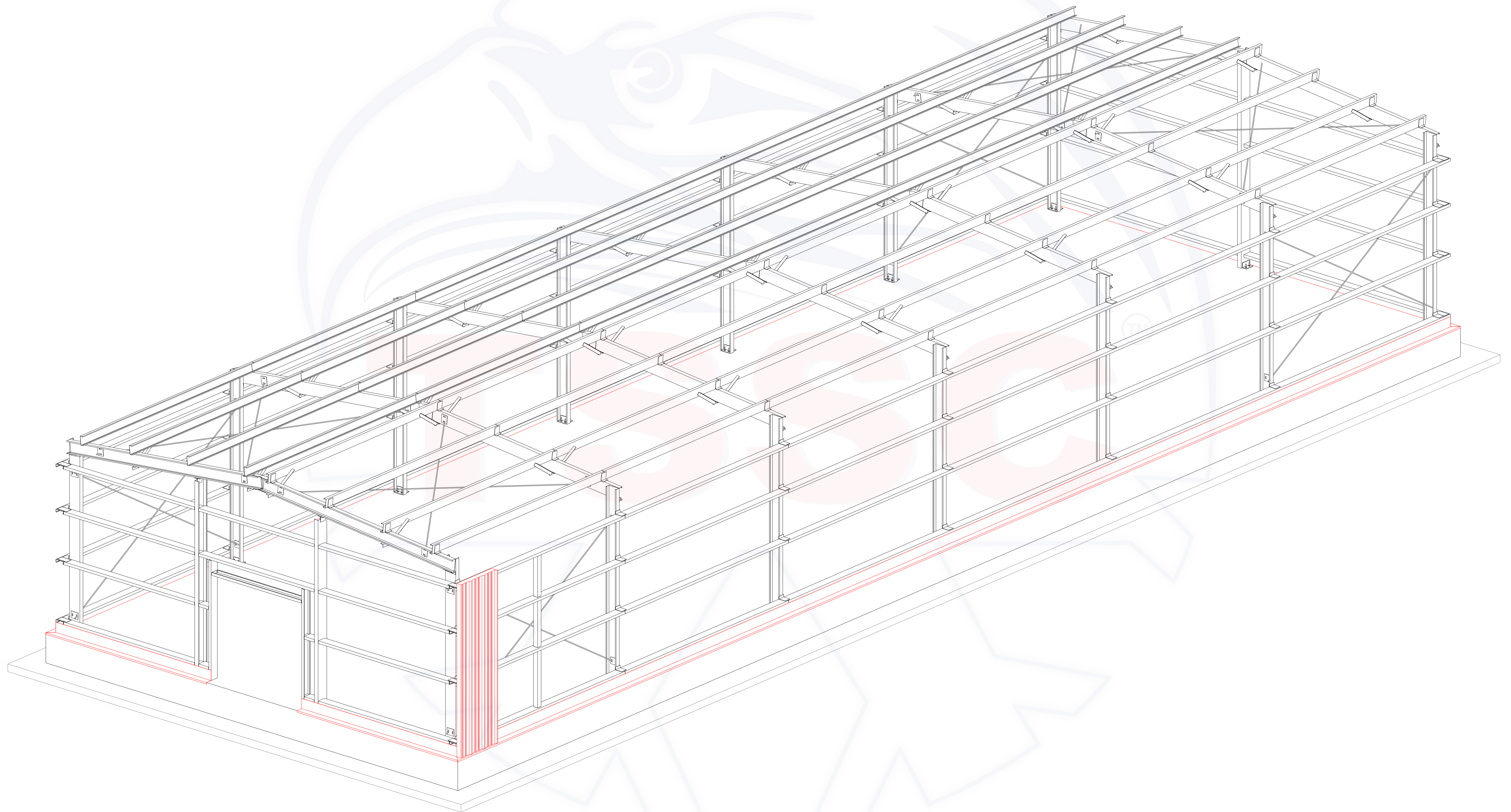
**STEP 12: INSTALL ALL REMAINING COLUMNS, RAFTERS, WALL GIRTS & ROOF PURLINS**



**STEP 13: INSTALL ALL ENDWALL COLUMNS & WALL GIRTS**

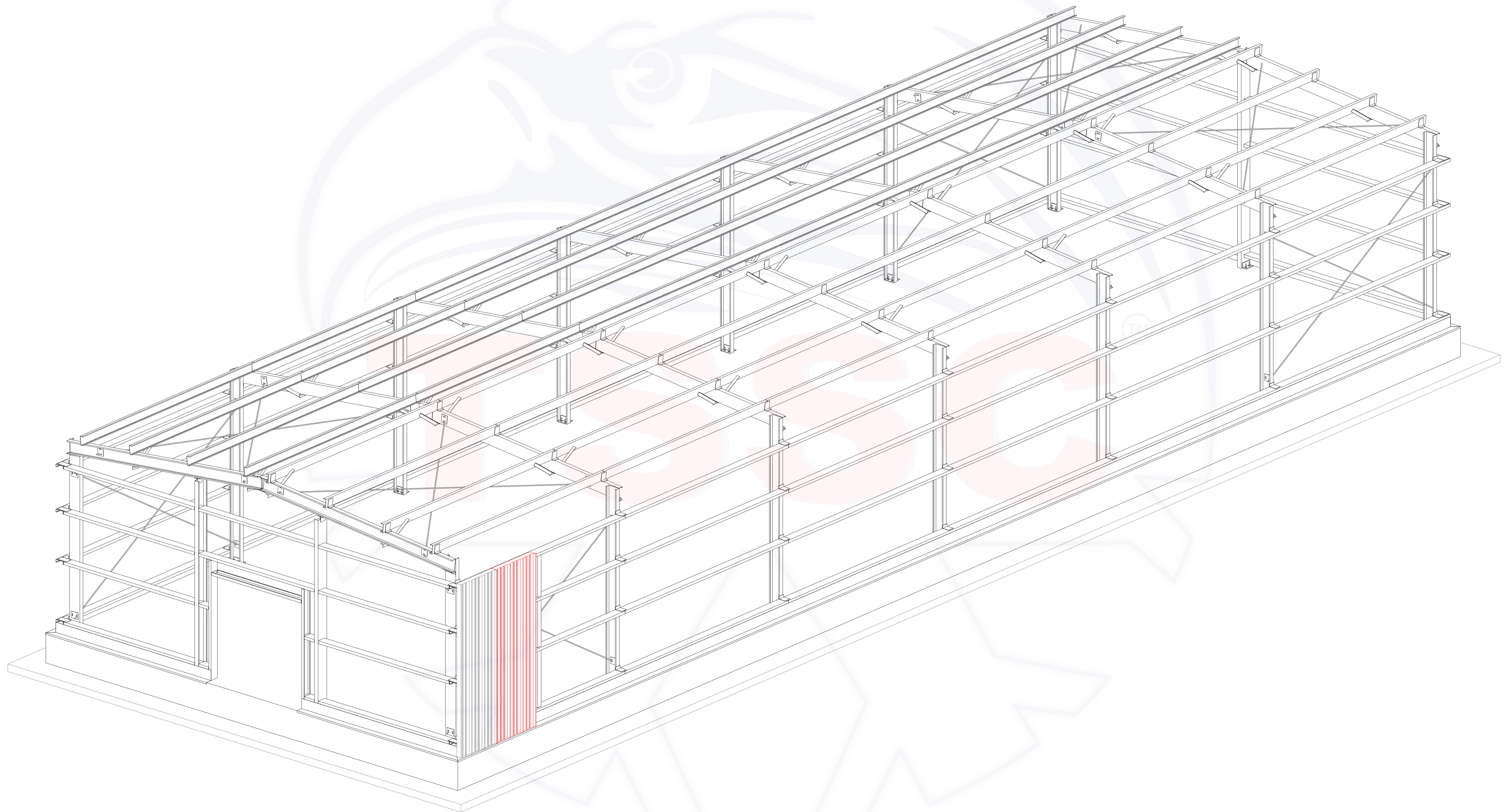


STEP 14: PROVIDE TEMPORARY VERTICAL TIMBER POSTS TO WALL GIRTS

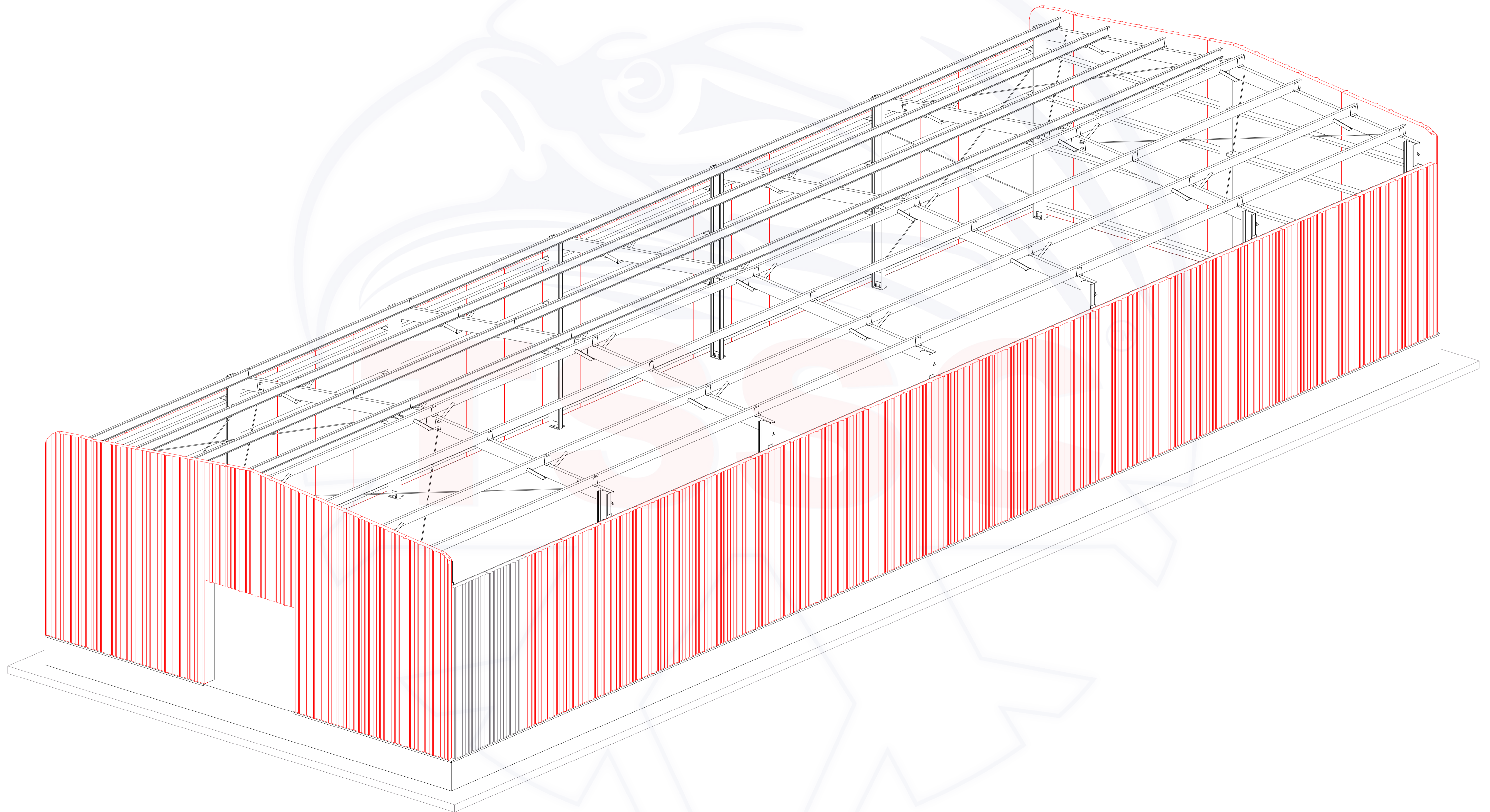


**STEP 15: INSTALL THE FIRST WALL PANEL**

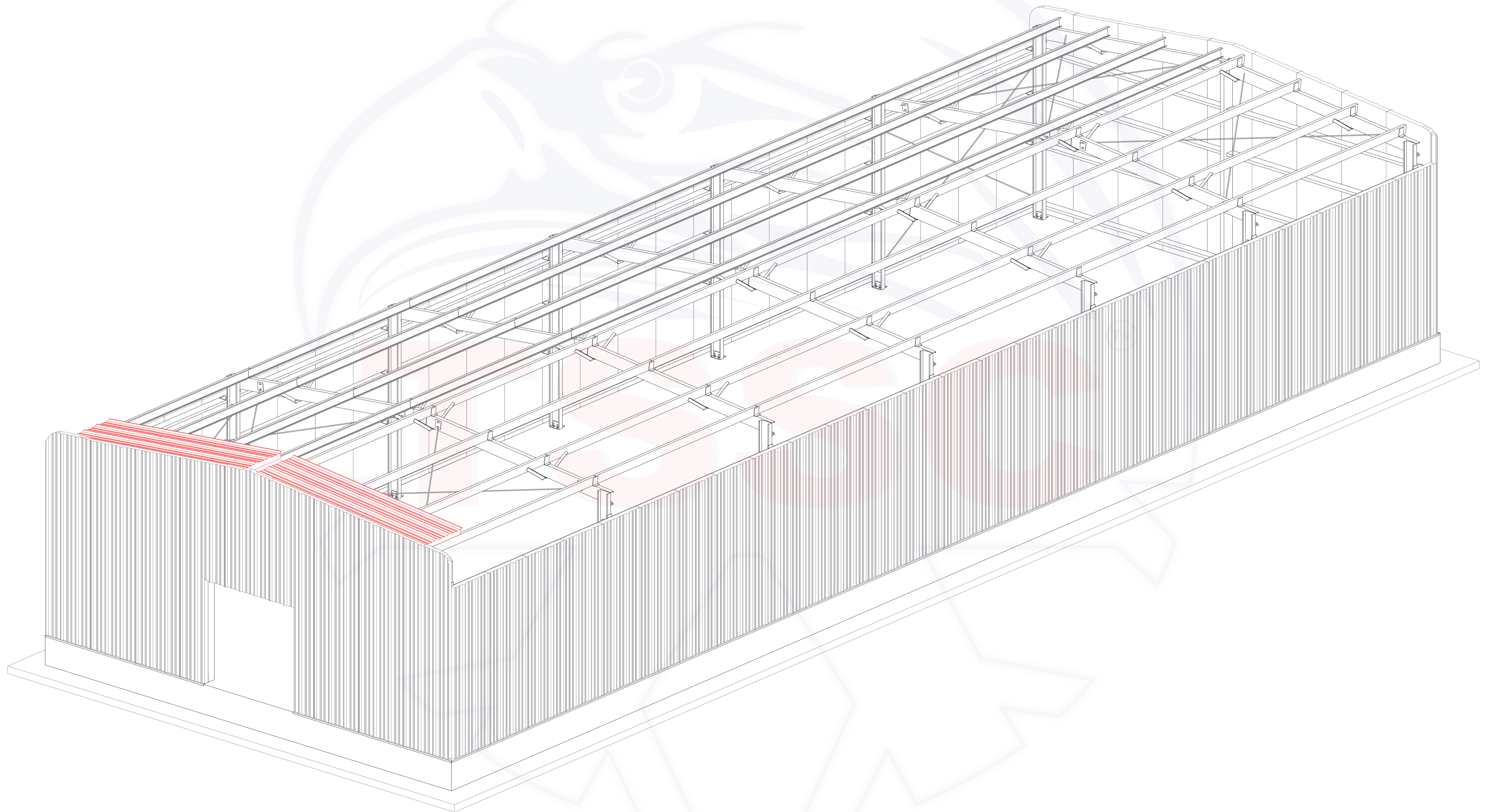




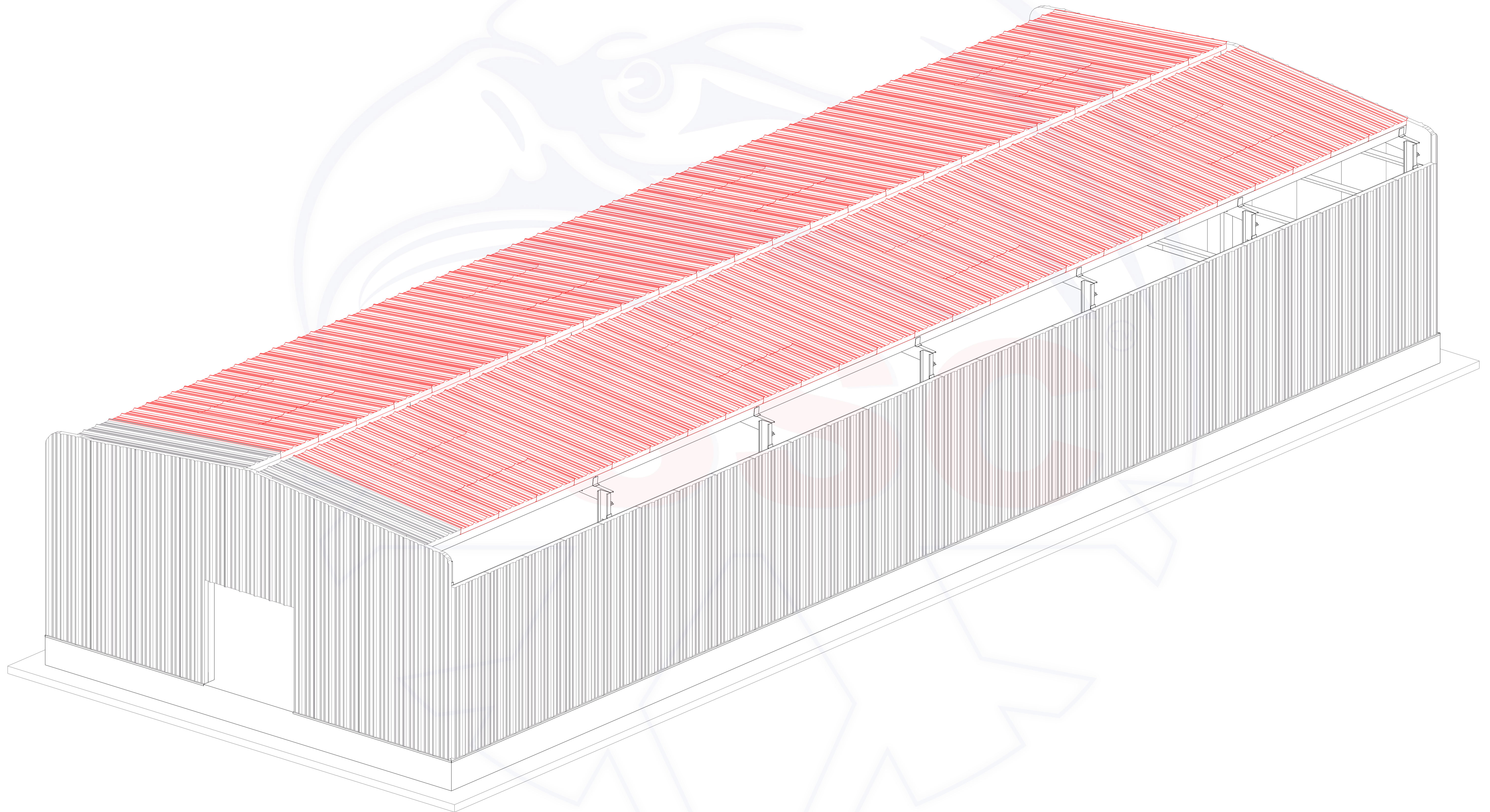
**STEP 16: INSTALL THE SECOND WALL PANEL**



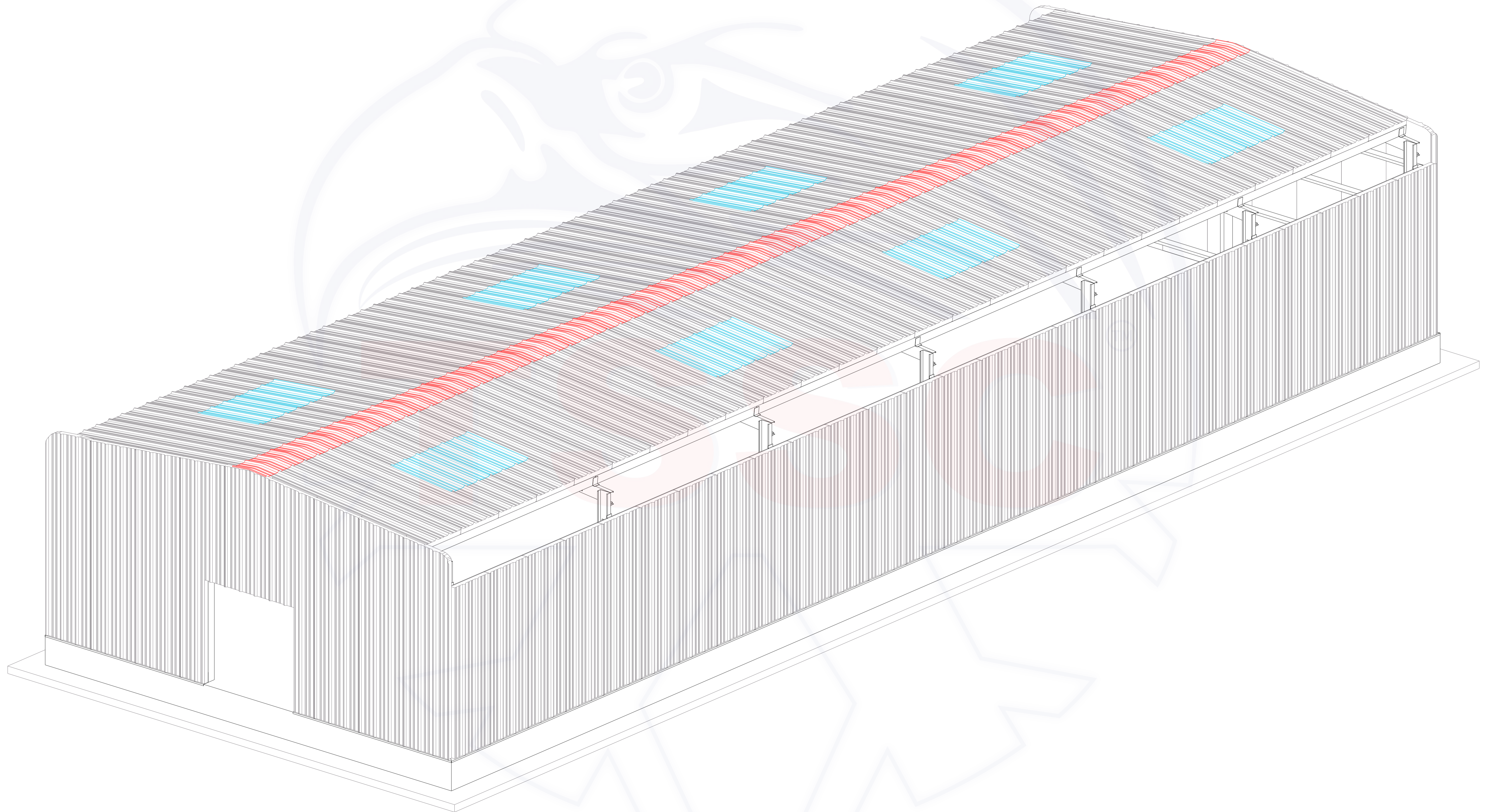
**STEP 17: INSTALL ALL THE REMAINING WALL PANELS**



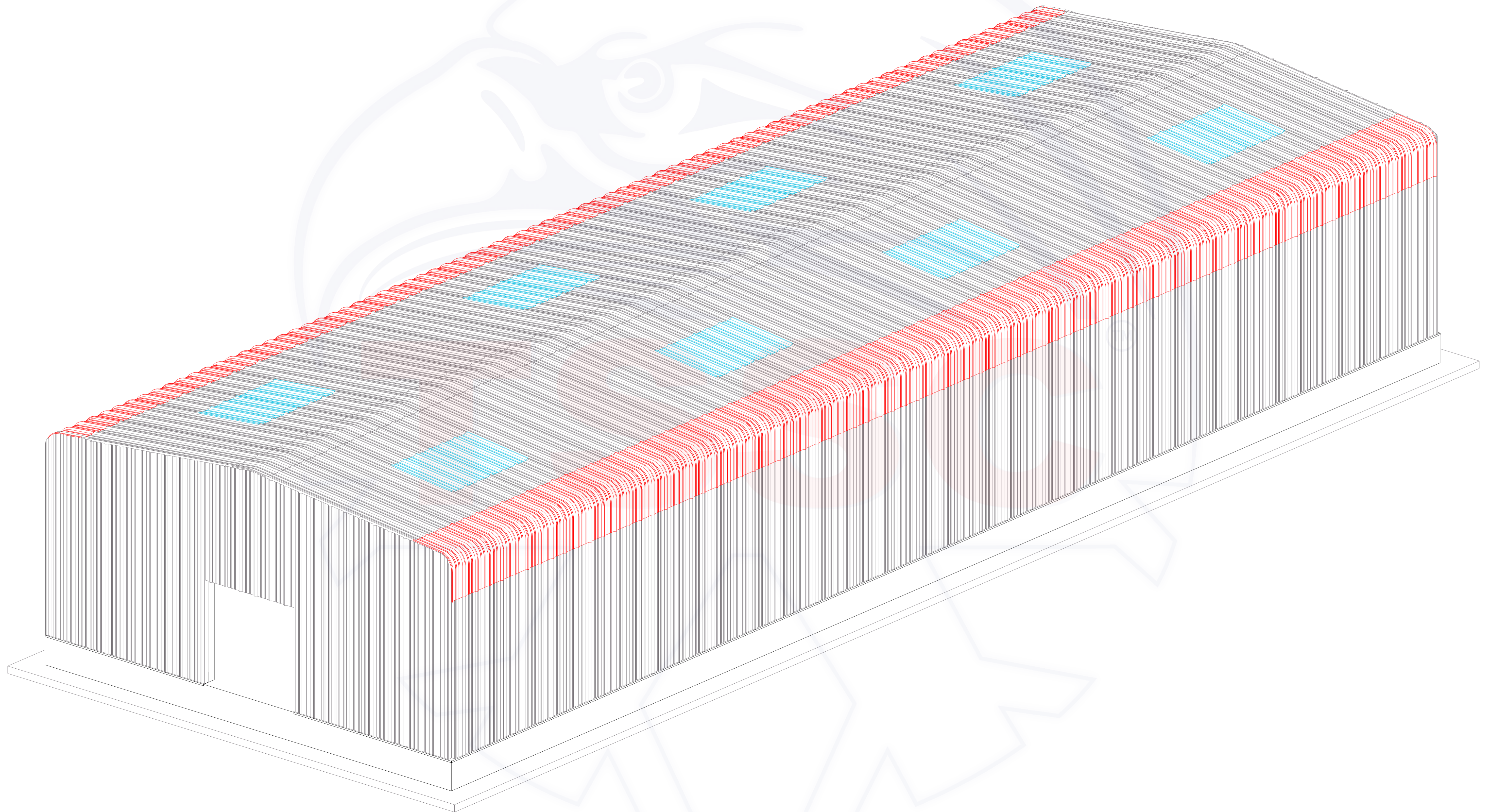
**STEP 18: FIX THE FIRST LINE OF ROOF PANELS**



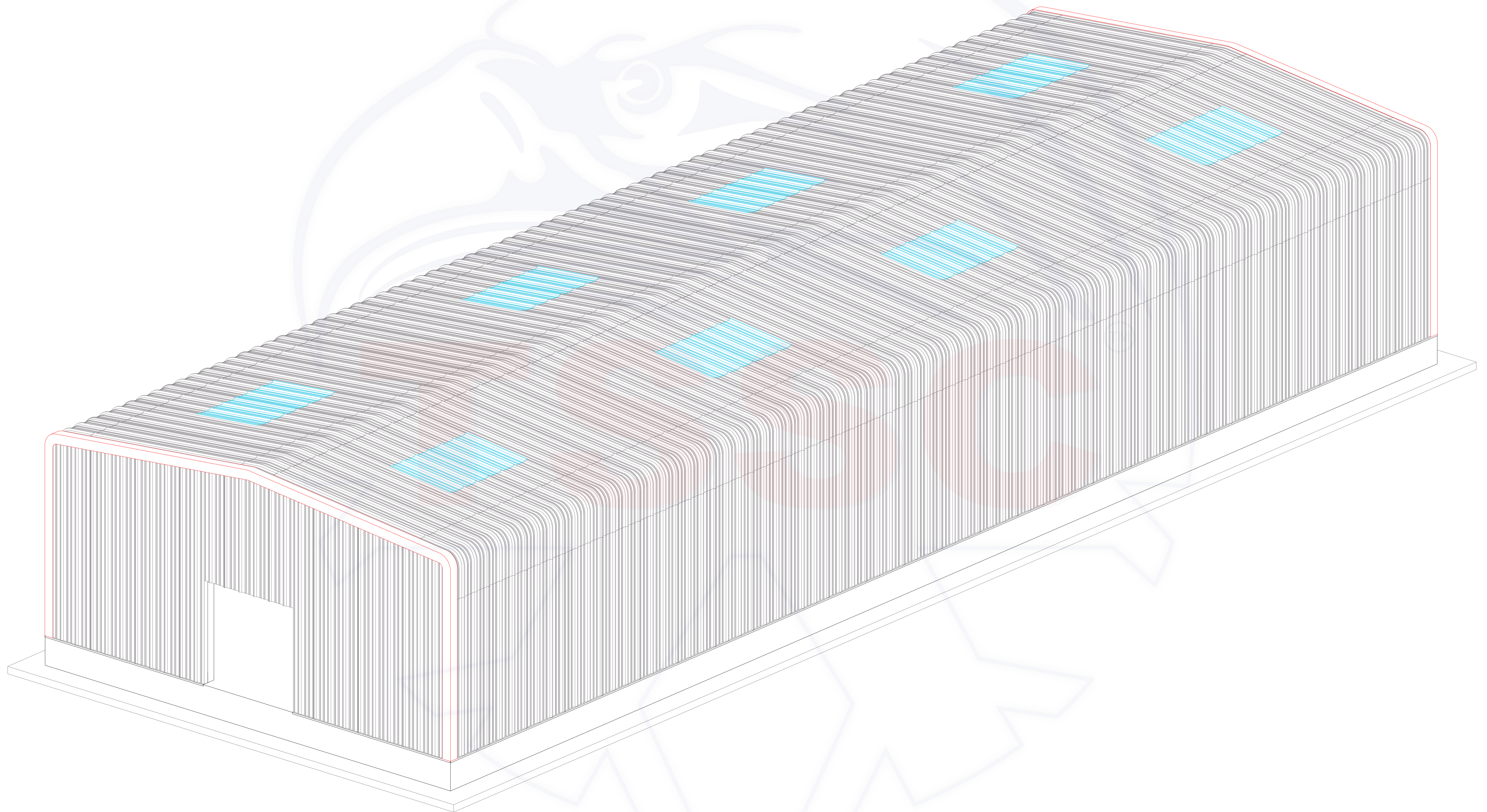
**STEP 19: INSTALL ALL THE REMAINING ROOF PANELS**



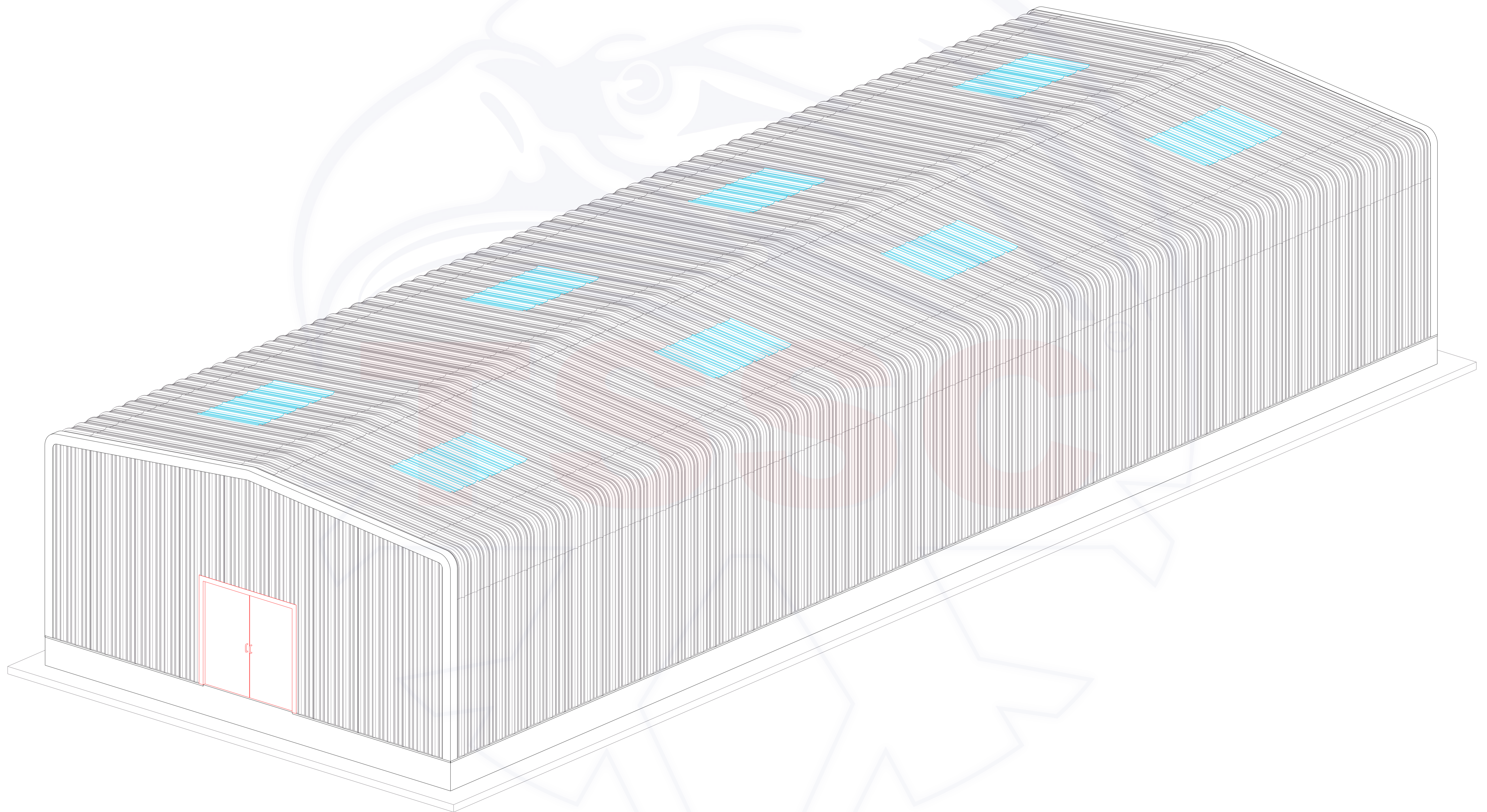
STEP 20: FIX THE RIDGE PROFILE



STEP 21: INSTALL THE EAVE TRIMS



STEP 22: FIX THE FLASHINGS



STEP 23: INSTALL THE DOOR