

ACEKOOL

MULTI-FUNCTION STAND MIXER
INSTRUCTION MANUAL
MK-5101

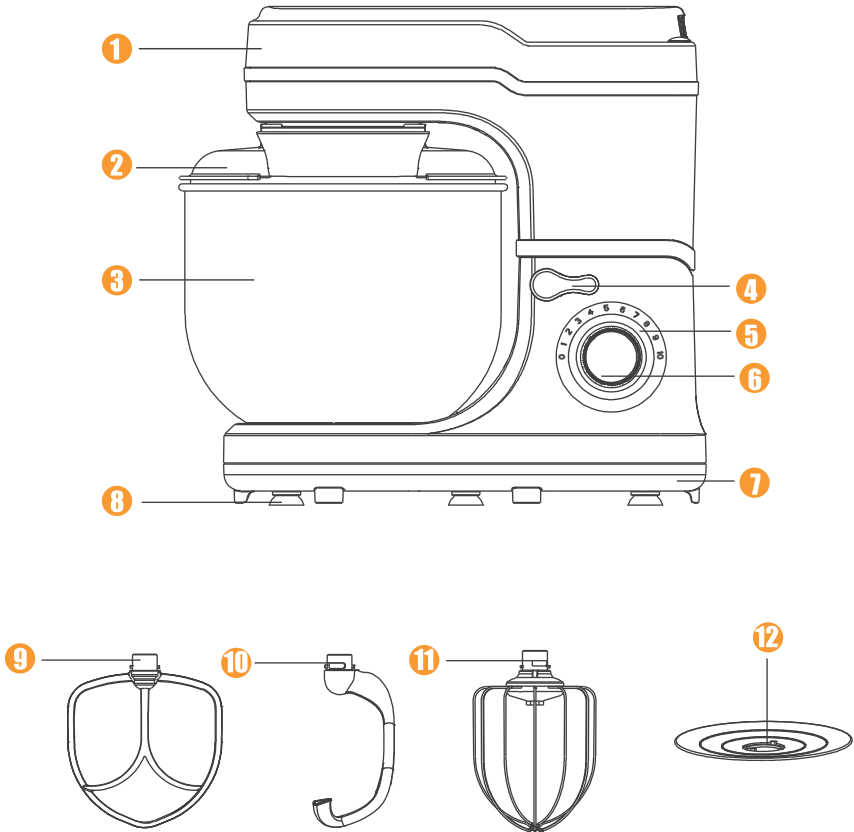


For your safety and continued enjoyment of this product, always read the instruction manual carefully before using.

CONTENTS

■ Configuration	02
■ Important Safety Advice.....	03
■ Technical Information	04
■ Before First Use	04
■ Cleaning	05
■ Packing List.....	05
■ Correct Disposal of This Product.....	05

Configuration



1 Housing

2 Bowl cover

3 Bowl

4 Switch knob

5 Speed light

6 Speed switch

7 Bottom

8 Anti-skid feet

9 Flat beater

10 Dough hook

11 Wire whisk

12 Dust cover

Important Safety Advice

- To avoid electric shocks, do not use this device in the vicinity of water. Do not immerse the mains lead in water or other liquid.
- Please read through the information and safety advice contained in these operating instructions carefully and thoroughly before you use the stand mixer for the first time.
- Do not kink or clamp the mains lead. To avoid any risk of stumbling, do not allow the mains lead to hang over the edge of a table or a counter.
- Make sure that the voltage shown on the rating label corresponds with that of the mains supply. The rating label can be found on the bottom of the motor block. The stand mixer is only to be connected to an AC supply (~). The motor must always be switching off before the stand mixer is connected with the mains supply. (Knob® in the "0" setting).
- Do not use outdoors. Only suitable for use indoors.
- This device should not be set up in close proximity to a naked flame, easily flammable materials (curtains, textiles, etc.), a radiator, an oven or some other heat source.
- Before use, place the device on a horizontal and flat surface.
- Place this device as close as possible to the power source so that you can disconnect the plug quickly and easily.
- The device must be operated with the type of power specified on the rating plate. If you are unsure about the details of the available power supply, ask your dealer or the local power supply company.
- Do not attempt to repair the device yourself, since you will be exposed to hazardous live components or other hazards by opening and removing the covers.
- Repairs should only be carried out in a qualified workshop.
- This is not a toy! Keep away from children. The device should be used and stored out of the reach of children.
- Careful supervision is required when the device is used by or in the vicinity of children.
- The device should only be used for its intended purpose.
- Never operate empty and without supervision.
- During use, do not touch moving parts with your fingers.
- Please note that when passing the device on to a third party, the operating instructions must be included.
- No liability is accepted for damage due to improper use or the failure to observe our operating instructions / safety notes.
- Unplug the appliance when not in use or before cleaning.
- If the supply cord is damaged, it must be replaced by the manufacturer or its service agent or a similarly qualified person in order to avoid a hazard.
- The blades are very sharp. Be careful while clean the jar.
- Switch off the appliance and disconnect from supply before changing accessories or approaching parts that move in use.
- This appliance is not intended for use by persons (including children) with reduced physical, sensory or mental capabilities, or lack of experience and knowledge, unless they have been given supervision or instruction concerning use of the appliance by a person responsible for their safety.
- Children should be supervised to ensure that they do not play with the appliance.
- Do not use mixing, mincing and blending function at the same time. Only use one of them at a time.

Technical Information

Voltage: 120V
Frequency: 60Hz

Power: 660W
Capacity: 7.5 Quart

Before First Use

- All parts of the stand mixer are to be thoroughly cleaned before being used for the first time. (See section: Cleaning).
- Take out the required length of cable from the cable tidy on the base of the blender and connect the device to the mains supply.

Trial Use

Note: All attachments of the stand mixer are to be thoroughly cleaned before being used for the first time.(See section: Cleaning).

1. Press the rise button, then lift the machine arm.
2. Put the mixing bowl onto the base, and lock it as the arrowhead denotes.
3. Fix the dusty cover onto the mixing blade, then lock the blade into the machine'
4. Press the rise button, Make the arm down. Make sure the arm is fixed together the base,
5. Plug-in the cord, and turn on the adjustable knob, then try every function for a few seconds.
6. After the trial, turn off the knob.
7. Press the button and lift the arm, then take apart the mixing blade from the blade connector.

Operation Guide

To mix or knead dough:

1. Suggestion flour and water at a ratio of 5
2. Assembly the dough hook, and turn on knob
3. When filling the agitator kettle, please ensure that the maximum quality is not exceeded.
4. Maximum quantity of flour is 1500g.
5. The dough hook or mixer beater should be used.
6. Turn on the knob ⑤, The device operated 30s at speed"1", then operated 30s at speed"2" ,And operated speed"3" at last 4 min.
7. No longer use than 5 minutes continuously at a time. And cool down used again.

Whipping egg whites or cream:

1. Turn the device, whip the egg whites without stopping for about 5 minutes, according to the size of the eggs until stiff.
2. Maximum quantity 15eggs. Minimum quantity 5 eggs.
3. For whipped cream, whip 250ml fresh cream at high speed for about 5 minutes.
4. When filling the agitator kettle with fresh milk, cream or other ingredients, please ensure that the maximum quality is not exceeded.
5. The egg beater should be used.
6. No longer use than10 minutes continuously at a time.

Mixing shakes, cocktails or other liquids:

1. Mix the ingredients according to the available recipe, at high speed for about 5 minutes.
2. Do not exceed the maximum quantity for the agitator kettle.
3. The mixer beater should be used.
4. No longer use than10 minutes continuously at a time.

Cleaning

1. Before cleaning, please ensure that the knob turn off and that the plug has been disconnected from the socket.
2. After use, allow the device to cool down before you start to clean it.
3. To clean the exterior of the device, use a moist cloth and a mild detergent.
4. When cleaning the interior and exterior and protective dust cover do not use any abrasive detergents or alcohol.
5. To clean the device, never submerge it in water.
6. The dough beater, mixer beater, Food plate, mincing tube and spiral reamer are not in dishwasher. The accessories must be cleaned only in warm water and washing-up liquid.
7. The plastic accessories, Mixing bowl, egg beater and blades inside, Must be cleaned with warm water and washing-up liquid or in dishwasher. Do not use any abrasive detergents..

Packing List

Main Body	1 piece	Dough Hook	1 piece
Mixing Bowl	1 piece	Plastic Flapper	1 piece
Mixing Bowl Cover	1 piece	Egg Whisk	1 piece
Mixing Blade	1 piece	Instruction Manual	1 piece

SAVE THESE INSTRUCTIONS

THIS PRODUCT IS FOR HOUSEHOLD USE ONLY!

■ ■ Correct disposal of this product



This marking indicates that this product should not be disposed with other household wastes throughout the EU. To prevent possible harm to the environment or human health from uncontrolled waste disposal, recycle it responsibly to promote the sustainable reuse of material resources. To return your used device, please use the return and collection systems or contact the retailer where the product was purchased. They can take this product for environmental safe recycling.

ACEKOOOL

Leading a Better Life

Email: support@acekool.vip

Website: <https://www.acekool.vip>

Made in China

