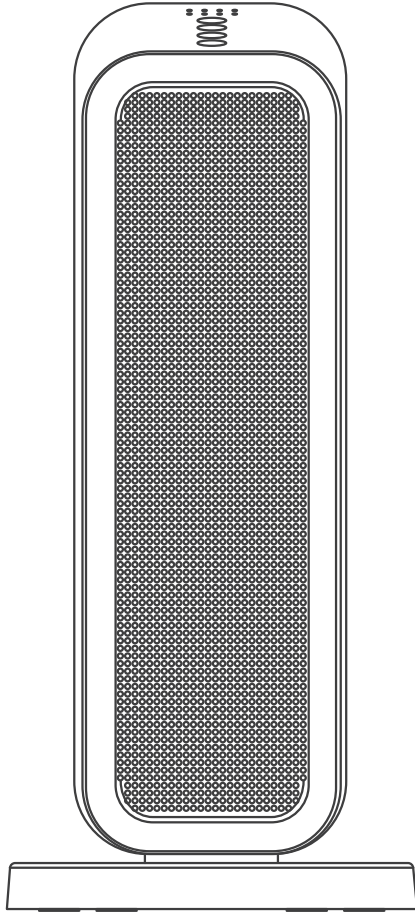




Space Heater HF2

INSTRUCTION MANUAL



Thank you for purchasing Acekool Space Heater. Before operating this unit, please read these instructions completely and keep the manual ready for further reference.

CONTENTS

■ Safety Warning	01
■ Product Description	02
■ Control Panel	03
■ Technical Parameter	03
■ Function Description	03
■ Wi-Fi Operation	05
■ Cleaning & Maintenance	06
■ Q&A Listing	07

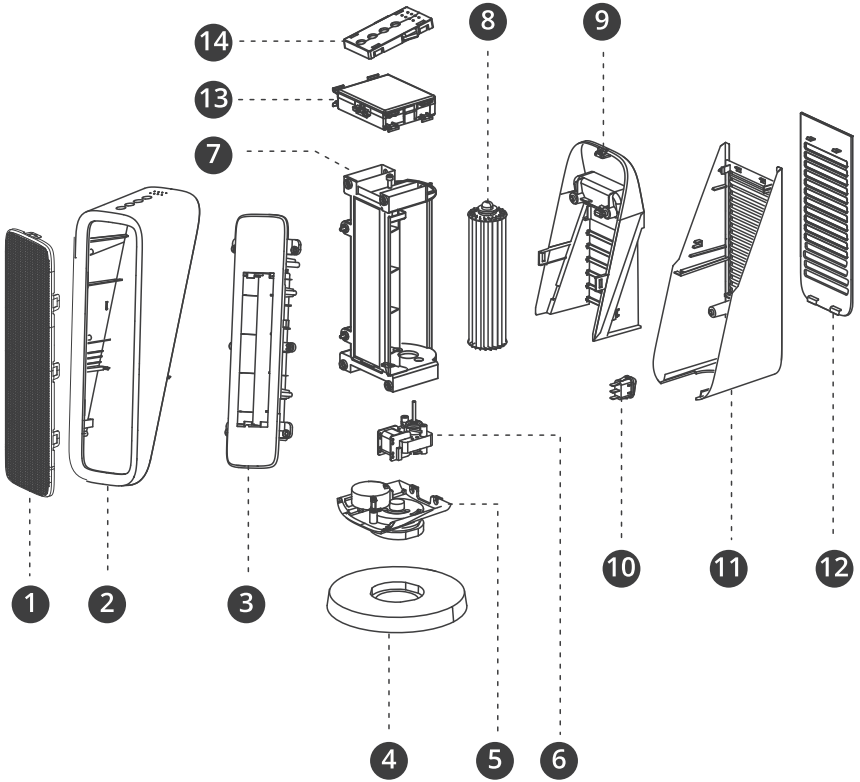
Safety Warning

- Avoid water, any liquids, or flammable cleaners enter this heater, which may cause electric shock and fire.
- Never spray any flammable materials such as pesticides or perfumes around this unit.

Precautions

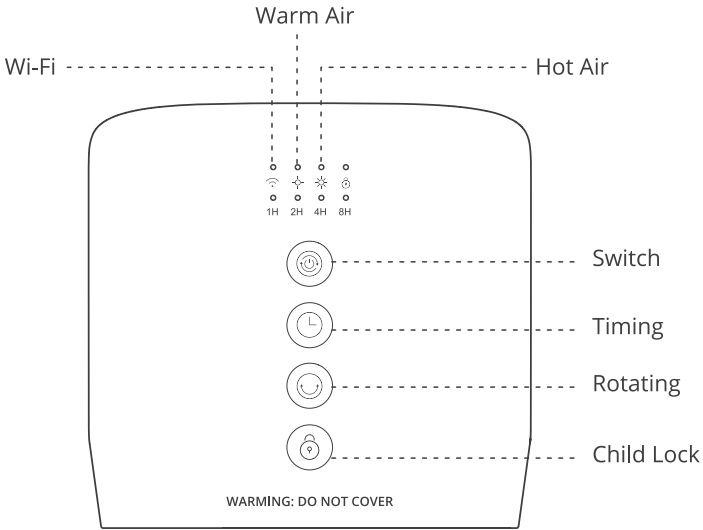
- Before connecting the heater to a power supply, please check that the voltage marked on the heater's nameplate is consistent with the local power supply voltage and confirm that the current of the connecting plug is greater than 13A. It is not advisable to use an extension plug.
- Please check the power cord and plug for any sign of breakage or damage before use. If the power cord is damaged, a professional must replace it to avoid danger.
- It is forbidden to use this heater on an unstable or inclined surface. Place and use this product on a stable, flat, and level surface to avoid accidents such as injury or fire outbreaks.
- Do not spray this heater with water to avoid short circuit and electric shock dangers.
- It is forbidden to operate this heater in high temperature, humid or volatile places such as acid-base oil.
- Do not use this heater around bathtubs, water jets, or swimming pools.
- No flammable and explosive materials should be placed around the heater. It is also prohibited to cover the heater or avoid using it in places with severe dust to prevent accidents.
- Do not place the heater directly under an air conditioner to prevent condensation from dripping into the product.
- Do not insert fingers or objects into the air outlet or inlet to prevent physical damage or malfunction of the heater.
- The fire protection cover must be installed in place when the heater is working. The fire protection cover prevents direct contact with the heating element.
- To avoid burns, do not touch the air outlet protection net or cover the air outlet with your hands when using the heater.
- Be sure to unplug the heater after use and before cleaning or performing other maintenance.
- If you need to move the heater, please disconnect its power supply first. Also, please do not move the heater by pulling its power cord.
- Do not block the air inlet and outlet, and keep a space of more than 30cm from the wall or obstacles.
- This heater is not intended for use by persons (including children) who are physically or mentally disabled or lack relevant experience and skills unless instructed by the person responsible for the product's safety.

Product Description



- | | |
|----------------------------|----------------------------------|
| 1 Iron Mesh | 8 Wind-wheel |
| 2 Front Shell | 9 Handle Cover |
| 3 Heating Assembly | 10 Power Switch |
| 4 Base Assembly | 11 Upper Cover |
| 5 Rotating Assembly | 12 Filter |
| 6 Motor | 13 Power-box Assembly |
| 7 Air Duct | 14 Control Board Assembly |

Control Panel



Technical Parameter

Rated Input Voltage: AC120V 60 Hz

Power: 1500W

Function Description

Power Switch

When this is turned on for the first time, all LEDs will be on and go off after about 1 second; then it will enter the standby state.

Power Button

- In the standby state, each time the Switch key is pressed, the product will enter the following modes:

- 1) Natural wind state (no indicator light)
- 2) Warm air state (warm air indicator light is on)
- 3) Hot air state (hot air indicator light is on)

- The buzzer will beep every time the Switch key is pressed, and the prompt tone can be turned off through the APP.
- In the power-on state, press the Switch key for 3 seconds, and the machine will turn off and enter the standby state.
- When turn off the heating mode, the fan will be turned off after a delay of 1 min, and all indicator will flash.

Timing Key

- In the power-on state, press the button once to select the timing: 1H-2H-4H-8H (the corresponding indicator light is on). Press it again to cancel (no indicator light is on);
- Press and hold the timer button for 5 seconds to turn on the Wi-Fi function, and the buzzer will beep once. When the Wi-Fi indicator light flashes twice per second (flashes fast), it is in the fast connection mode of the Wi-Fi connection. When the Wi-Fi indicator light flashes once every 2 seconds (flashes slowly), it is in the compatibility mode.

Rotating Key

In the power-on state, press this key to shake the machine head 80° left and right, press it again to stop shaking the head. The machine will beep once you press the Rotating key, and the prompt can be turned off in the APP.

Child Lock Key

In the power-on state, press and hold this key for 3 seconds to enter the child lock state. The buzzer will beep once. Other keys will not work in this state. To cancel the child lock, press and hold the key again for 3 seconds, and the buzzer will sound once (disconnecting the power automatically will also cancel the child lock)

Safety Protection

When the machine falls, it automatically turn off all functions. The machine prompts the alarm for 1 minute continuously and enters the standby state after returning to the original position.

Power-off Protection

To ensure the life of the PTC heating element, you can long-press the Switch Key to turn the warm air or hot air mode off. The fan will be turned off after a one-minute delay, and all the indicators on the panel will flash for one minute and then enter the standby state.

Note: The fan does not delay When turn off the natural wind mode.

Overheating Protection

In order to ensure safe use, the heater will automatically power off when the internal temperature reaches the setting protection temperature.

Automatic Shut-Down

When the machine runs continuously for 24 hours, it will automatically shut down and enter the standby state.

Wi-Fi Operation

- Scan the QR code below to download the "GaoMon" APP. You can also search for "GaoMon" in the APP store or Google Play to install the APP.
- Open the "GaoMon" APP, click "Register," use your phone number or email to register a "GaoMon" account, and then log in to the APP.

iOS



Android



Add device:

- Connect the mobile phone to the 2.4GHz Wi-Fi network > Turn on Bluetooth>Open the "GaoMon" APP > Turn on the main switch > Long press the timing button for 5S > WIFI indicator flashes > Click "+" to add a device.
- Automatic discovery: (when the corresponding permission is enabled, the device can be automatically discovered) The device appears > click to connect > enter the 2.4GHz WIFI account password > Add equipment > connect successfully.

Add manually:

- **Bluetooth distribution network (recommended):**

WIFI indicator flashes quickly > find small appliances in APP > heater (Bluetooth) > click to confirm > indicator flashes quickly > search device > device appears > click to connect > successfully add device

- **Hotspot distribution network (compatibility mode):**

Press and hold the timer indicator again for 5S > the WIFI indicator flashes slowly > find the heater (WIFI) in the APP > enter the 2.4GHz WIFI account password > click to confirm > the indicator flashes quickly > click next > add a device > connect successfully

Note: After long pressing the timing button for 5 seconds, if there is no connection operation within 120 seconds, it automatically disables; you need to long-press it again for 5 seconds.

Cleaning & Maintenance

- Before maintenance or cleaning, be sure to turn off the heater and unplug the power plug. Also, wait for the heater inside the heater to cool down before maintenance or cleaning.
- Do not immerse the heater in water or any liquid; wipe the body with neutral detergent and a soft cloth.
- Never use abrasive, corrosive, or flammable cleaners (such as bleach or alcohol) to clean any part of the heater.
- After the product is cleaned, please place it in a ventilated place to dry. Avoid using direct sunlight to dry or in storing it.

Q&A Listing

Question	Cause
<p>What should I do if I cannot connect to the WIFI?</p>	<ul style="list-style-type: none"> ● Power off the back of the heater and power it on again. ● Please confirm whether to open and select 2.4GHZ WIFI and turn on Bluetooth. ● Long press the timing button for 5S Open the app and reconnect.
<p>Can an extension cord be used to connect this heater?</p>	<p>This heater is a high-power electrical appliance. It is not advisable to use an extension cord. It is safer to use a wall plug with a specification greater than 13A.</p>
<p>Why can't it be turned on?</p>	<ul style="list-style-type: none"> ● Check if the plug is inserted into the power outlet. Is there a power outage? ● Is the leakage switch or fuse in the home cut off? ● Is the main power switch on the back turned on? ● Check whether the main body of the heater is in the proper position.
<p>Why does it suddenly stop when heating?</p>	<ul style="list-style-type: none"> ● Is the socket in poor contact, and is the circuit supply normal? ● Are there any objects blocking the air inlet/outlet? Lack of space for the air outlet or inlet will cause the internal temperature to be too high then exceed the protection value of the controller.
<p>Will the heater automatically connect to WIFI and turn on automatically after the power is restored?</p>	<p>It will connect automatically but will not automatically power on for security reasons.</p>
<p>Why is the heater still connected to the 2.4GHZ Wi-Fi network and cannot be connected to 5G?</p>	<p>Because 2.4GHZ is widely used, and 5G has poor wall penetration, which could cause the heater to fail to connect to WIFI.</p>
<p>Can the beep sound be turned off?</p>	<p>Yes. It can be implemented on APP.</p>

Note: When the above faults cannot be eliminated and it is confirmed that maintenance is required, don't hesitate to get in touch with the supplier or customer service center. Please do not attempt to disassemble the machine for maintenance without authorization.

Acekool

Your home in sync

Model: H3

Email: support@acekool.vip

Website: <https://www.acekool.vip>

Made in China

