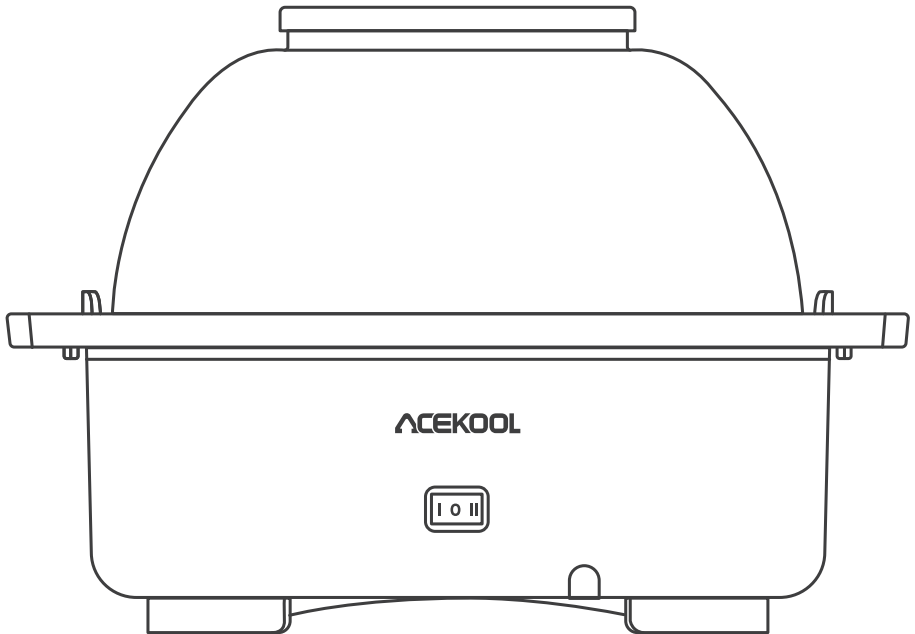


ACEKOOL

Popcorn Maker PA3

—
INSTRUCTION MANUAL

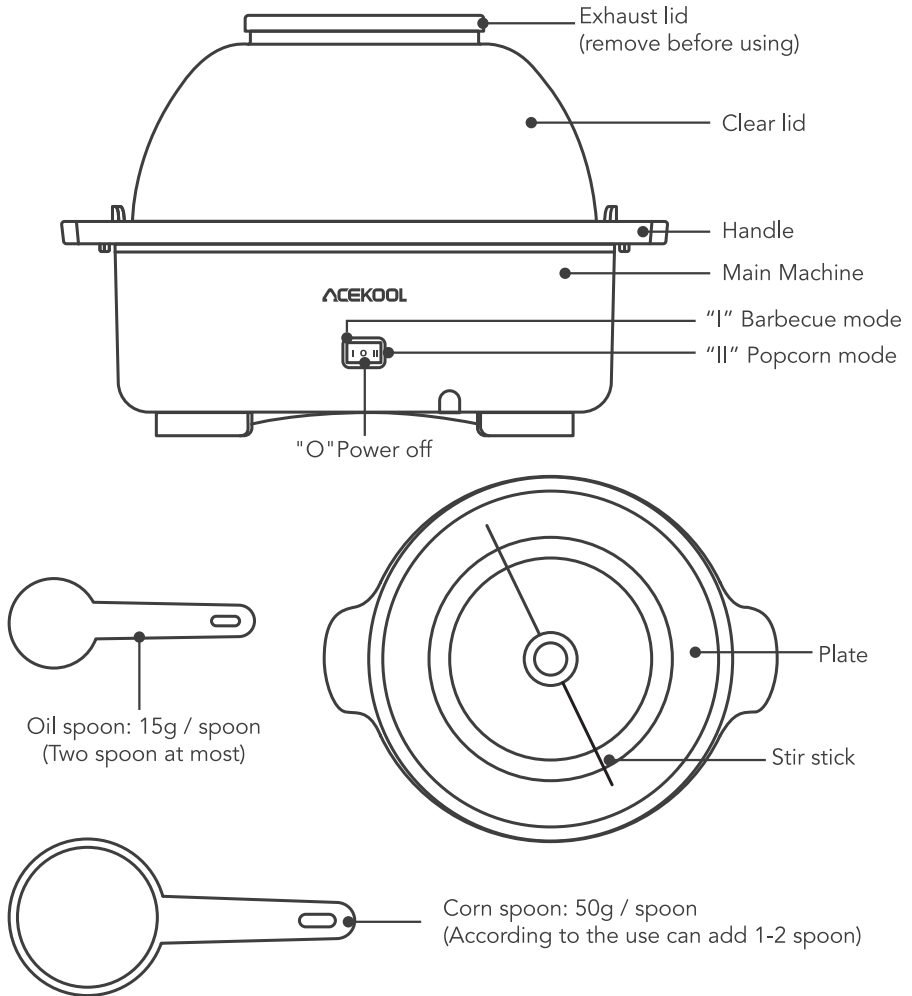


Thanks for your order. Please read the user manual thoroughly before using the product and keep this user manual for your future reference.

CONTENTS

| | |
|---|----|
| ■ Production Instruction | 01 |
| ■ Notes for the first use | 02 |
| ■ Operation and Attention | 02 |
| ■ Important Safeguards | 03 |
| ■ Special Instructions | 04 |
| ■ Additional Important Safeguards | 05 |
| ■ User Maintenance Instructions | 06 |
| ■ Care& Cleaning Instructions | 07 |
| ■ Technical parameter | 07 |

Production Instruction



WARNING

- When the popcorn machine works continuously, it is suggested to turn it off for 10 minutes to dissipate heat and then power it on so as to effectively extend its lifespan.
- It's not a toy, Children are not allowed to use it alone.

Notes for the first use

- Carefully open the package, please check the machine and spare parts first, keep the manual.
- Before the using, please wash the exhaust lid and clear lid in warm, soapy water, rinse and dry thoroughly. Do not clean the power cord and plug in water or any liquid.
- Wash the plate surface in edible detergent with the soft cloth, wipe with warm and dry thoroughly.
- Please use clean cotton towel to wipe the outside of the machine.
- Place the base on a clean, flat, heat-resistant working surface.
- In order to prevent electric overload, it is recommended to use separate power socket to avoid danger.

Operation and Attention

It is normal that the machine may cause slight smoke when it is used for the first time.

- Remove clear lid and exhaust lid before the use.
- **Food materials:** Cooking oil (peanut oil, corn oil, olive oil and others. It's not recommended to use animal oil), a little sugar and corn kernels for popcorn.

Note: not all corn kernels can be used for popcorn.

- **Operation:** Add oil-power on and preheat-add corn-add sugar into plate-closed the clear lid.

Note: Must be remove the exhaust lid before use.

- Please turn the switch to "II", then use oil spoon, add two spoons of cooking oil (about 30g) into plate, and power on and preheat for 2-3 minutes.
- Use corn spoon to hold 1-2 spoon (about 50-100g) of popcorn, and evenly put it into the plate.
- Add sugar (about 30g) and sprinkle it evenly on the corn kernels, if don't like sweetness, you can not add sugar.
- After heating for three minutes, the corn kernels begin to burst, When the speed slows down, and the crackle sound disappears, please turn off the switch and pull out the plug from the socket.
- Press the exhaust lid in place, and put on the heat insulation gloves, At the same time, grasp the handle on the clear lid and the machine, turn the machine, the popcorn comes into the clear lid.

Barbecue operation step and attention:

- Cut the meat (raw meat, cooked meat or other barbecue Ingredients) into thin slices about 3mm, and add seasoning to marinate according to the demand.
- When barbecue, you need to turn off the knob in the center of the plate and take out the stir stick.
- Please insert the power cord plug of the machine into the power supply, press the switch to the "I", and cooking oil into the plate to preheat for 2 minutes.
- Please put the meat into the plate, turn it over with the clamp about 2 minutes later, bring the seasoning, then turn it over again. (Please don't cover the clear lid when you barbecue).
- Vegetables can be used according to the actual situation.
- When it finishes, please press the switch to the "O", then turn out the plug.
- When cleaning the plate, please use the wipe the surface of the baking tray with a wet towel and appropriate detergent, and do not to flush with water, so as to prevent water from flowing into the machine and cause damage.

Important Safeguards

When using electrical appliance, please follow the basic safety precautions below:

- Do not touch hot surfaces. Use handles or knobs.
- To protect against electric shock do not immerse cord, plugs, or portable appliance in water or other liquid.
- Close supervision is necessary when any appliance is used by or near children.
- Unplug from outlet when not in use and before cleaning.
- Allow to cool before putting on or taking off parts, and before cleaning the appliance.
- Do not operate any appliance with a damaged cord or plug or after the appliance malfunctions, or has been damaged in any manner. Return appliance to the nearest authorized service facility for examination, repair or adjustment.
- The use of accessory attachments not recommended by the appliance manufacturer may cause injuries.

- Do not use outdoors.
- Do not let cord hang over edge of table or counter, or touch hot surfaces.
- Do not place on or near a hot gas or electric burner, or in a heated oven.
- Extreme caution must be used when moving an appliance containing hot oil or other hot liquids.
- Always attach plug to appliance first, then plug cord into the wall outlet. To disconnect, turn any control to "off", then remove plug from wall outlet.
- Do not use appliance for other intended use.
- Extreme caution must be used when moving fryer containing hot oil or other non-liquids.
- Be sure handles are properly assembled to basket and locked in place. See detailed assembly instructions.
- Do not immerse in water or any other liquid.
This appliance is intended for household use only.
- CAUTION: To reduce the risk of electric shock, cook only in removable container.
- Preheating the appliance is not necessary.

Special Instructions

- A short power-supply cord (or detachable power-supply cord) is to be provided to reduce the risk of becoming entangled in or tripping over a longer cord.
- Longer detachable power-supply cords or extension cords are available and may be used if care is exercised in their use. If a longer detachable power-supply cord or extension cord is used:
 - 1) The marked electrical rating of the cord set or extension cord should be at least as great as the electrical rating of the appliance;

2) The cord should be arranged so that it will not drape over the countertop or tabletop where it can be pulled on by children or tripped over unintentionally. This appliance has a polarized plug (one blade is wider than the other).

- To reduce the risk electric shock, this plug is intended to fit into a polarized outlet only one way. If the plug doesn't fit fully into the outlet, reverse the plug. If it still does not fit, contact a qualified electrician. Do not attempt to modify the plug in any way.

Polarized Plug

This appliance is intended to be used in household and similar applications such as:

- Star kitchen areas in shops, offices and all working environments;
Farm houses;
- By clients in hotels, motels and other residential type environment;
- Bed and breakfast type environments.
- This appliance is not intended for use by persons (including children) with reduced physical, sensory or mental capabilities, or lack of experience and knowledge, unless they have been given supervision or instruction concerning use of the appliance by a person responsible for their safety.
- Children should be supervised to ensure that they do not play with the appliance.
- If the Supply Cord is damaged, it must be replaced by the manufacturer, its service agent or simply qualified persons in order to avoid a hazard.
- The appliances are not intended to be operated by means of an external timer or separate remote-control system. Prevent water from flowing into the machine and causing damage.



Additional Important Safeguards

Caution hot surfaces

This appliance generates heat and escaping steam during use. Proper precautions must be taken to prevent the risk of burns, fires or other injury to persons or damage to property.

CAUTION:

This Popcorn Maker is hot during operation and retains heat for some time after turing OFF. Always use oven mitts when handling hot base and allow to cool before cleaning. Do not place anything on top of the appliance while it is operating or while it is hot.

- All users of this appliance must read and understand this instruction manual before operating or cleaning this appliance.
- The cord to this appliance should be plugged into a 120V AC electrical outlet only.
- If this appliance begins to malfunction during use, immediately press the ON / OFF switch to OFF and unplug the cord. Do not use or attempt to repair the malfunctioning appliance.
- **CAUTION:** Never place the Popcorn Maker's clear lid, plastic lid cap, or rotating rod in a microwave oven.
- Allow unit to cool completely before popping a second batch.

Noted on the Cord

The provided short power cord should be used to reduce the risk resulting from becoming entangled in or tripping over a longer cord. Do not use an extension cord. Always plug directly into a wall outlet / receptacle.

User Maintenance Instructions

This appliance requires little maintenance. It contains no user serviceable parts. Do not try to repair it yourself. Any servicing requiring disassembly other than cleaning must be performed by a qualified appliance repair technician.

Plasticizer Warning

CAUTION: To prevent plasticizers from migrating to the finish of the counter top or table top or other furniture, place non-plastic coasters or place mats between the appliance and the finish of the counter top or table top. Failure to do so may cause the finish to darken; permanent blemishes may occur or stains can appear.

Electric Power

If the electrical circuit is overloaded with other appliances, our appliance may not operate properly. It should be operated on a separate electrical circuit from other appliances.

Care & Cleaning Instructions

CAUTION: Never immerse the Popcorn Maker base, cord or plug in water or other liquid.

- Unplug Popcorn Maker and allow to cool before cleaning.
- The Popcorn Maker should be cleaned after every use.
- Wash the clear lid and exhaust lid in warm, soapy water. Use a soft cloth or kitchen sponge. Rinse and dry thoroughly.
- **WARNING:** To prevent scratching, never use avrasive scouring pads, steel wool, or scouring powders.
- After consistent use, the non-stick popping chamber should be cleaned with a slightly soapy cloth, sponge or any non-scouring pad. Wipe with a clean damp cloth and dry thoroughly.
- After consistent use, the non-stick finish may discolor. To remove discoloration, use a soft cloth saturated with lemon juice or vinegar and apply to the finish. Then wipe the finish with a damp cloth and dry.

CAUTION:

Please do not put any part of the product in the dishwasher and dryer for cleaning, Do not disassemble the parts. To avoid damage to the machine.

Storage Instructions:

- Unplug unit and allow to cool.
- Store the clean Popcorn Maker fully assembled.
- Snap the exhaust lid in place.
- Place the clear lid onto the base. Store the Popcorn Maker in its box or in a clean, dry place.

Technical parameter

Voltage: 120V~, 60Hz Power: 650W

ACEKOOOL

— Make Life Easier —

Model: BM-01

Email: support@acekool.vip

Website: <https://www.acekool.vip>

Made in China

