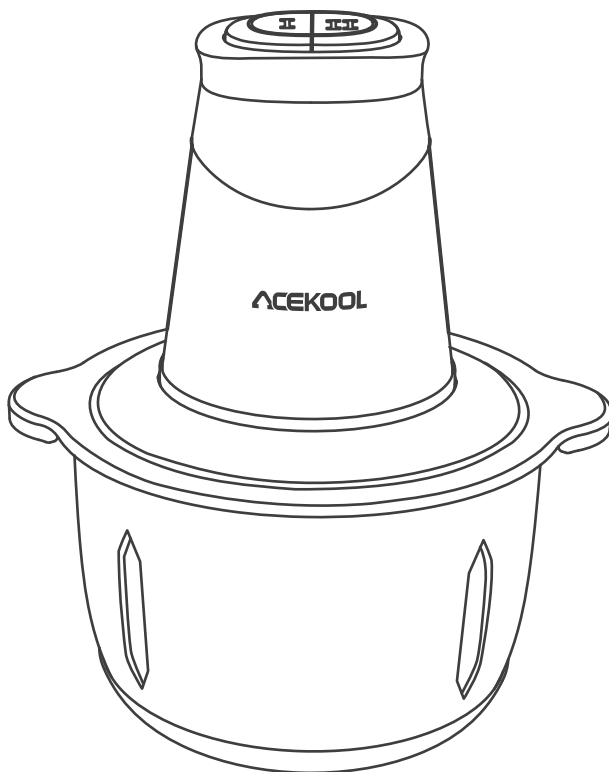


ACEKOOL

Food Chopper CB1

—
INSTRUCTION MANUAL



Thanks for your order. Please read the user manual thoroughly before using the product and keep this user manual for your future reference.

CONTENTS

■ Safety Instructions	01
■ Technical Specifications	02
■ Product Description	3
■ Before First Use	04
■ Operational Process	05
■ Precautions	07
■ Cleaning and Maintenance	07
■ Troubleshooting	08

Safety Instructions

- Please read the instructions carefully before using the appliance.
- This product is designed explicitly for indoor, household, non-industrial, non-commercial use. Refrain from using in an outdoor setting or for anything other than its intended use.
- Failing to use appliance properly or mishandling it can lead to damage to appliance and / or injury to user.
- If the appliance is used for anything other than its intended purposes or mishandled, no liability will be accepted for damages that arise.
- Make sure that the voltage indicated on the appliance matches the main wall outlet voltage before plugging in the appliance.
- It is imperative that when not in use the appliance is unplugged from its power source.
- Before cleaning and storing appliance, allow it a period to cool down.
- Do not place or operate appliance near sources of water or other liquids.
- Never immerse the appliance or the plug in water or any other liquid. In the event of the appliance being dropped into water, immediately disconnect it from the main supply and take it to an authorized service agent for repair before using it again.
- Do not expose the appliance or its power cord to high temperatures, for example, cooktops or open flames.
- Do not let the power cord hang over sharp edges and corners. Do not wrap the cord around the appliance and do not bend it. Make sure the integrity of the cord is not broken at any stage.
- Do not use the appliance if the cord or plug is damaged. In the event that the cord is damaged, it should only be replaced by the manufacturer, its service agent or similarly qualified persons, to avoid hazards.
- Do not try to open the housing of the plug or appliance yourself. Do not introduce any objects into the housing.
- Keep the appliance away from moisture. Therefore do not use with wet hands, on moist floors or in a humid environment.
- In the event that the appliance malfunctions, return the appliance to the nearest authorized service center for examination, repair or adjustment.
- In case of hardware problems, do not try to repair the product yourself. Repairs should only be carried out by qualified technicians.
- To remove the plug from the wall socket, do so by pulling the plug and not by yanking on the cord or the appliance itself.
- Make sure your hands are totally dry before plugging or unplugging.
- This appliance is not to be used by persons, including children, with reduced physical, sensory or mental capabilities or lack of experience and knowledge of product, unless they are under strict supervision or instruction concerning use of the appliances by a responsible person for their safety.
- Appliance should never be used as a toy, as it could have serious consequences.

- Never use accessories that have not been recommended by the manufacturer.
- The use of attachment or any another accessory that has not recommended or sold by manufacture may cause fire, electric shock or injury.
- Always disconnect the chopper from power source when it is left unattended and before assembling, disassembling or cleaning.
- Sudden steaming from hot liquids poured into appliance could cause contents to splash.
- Disconnecting it from power source entails pulling out from plug and not just switching it off.
- Do not store appliance outdoors. Storage should always be totally dry. This appliance is not designed to be used with the help of an external timer or remote control system.
- Do not let the motor unit, cord or plug get wet so as to protect against risk of electric shock.
- Always disconnect the appliance before putting in the food or liquids.

**WARNING: The blades are very sharp!**

- Never touch moving parts of the appliance while in action.
- Always keep hands, fingers or any other exposed skin away from the rotating blades.
- Turn the appliance off and disconnect from the mains supply before attempting to change accessories or approaching movable parts.
- Utmost care must be taken when handling the blades, emptying the bowl and whilst cleaning.
- Do not connect the appliance to the mains until it is completely assembled.
- Keep hands and utensils out of container while chopping to reduce the risk of severe injury to persons or damage to the blender. A scraper may be used, but must be used only when the chopper is not running.
- This appliance is intended for use in the household and similar contexts such as:
 - (1) Staff kitchen areas in shops, offices and other working environments.
 - (2) Farm houses.
 - (3) By clients in hotels, motels and other residential type environments.
 - (4) Bed and breakfast type environments.

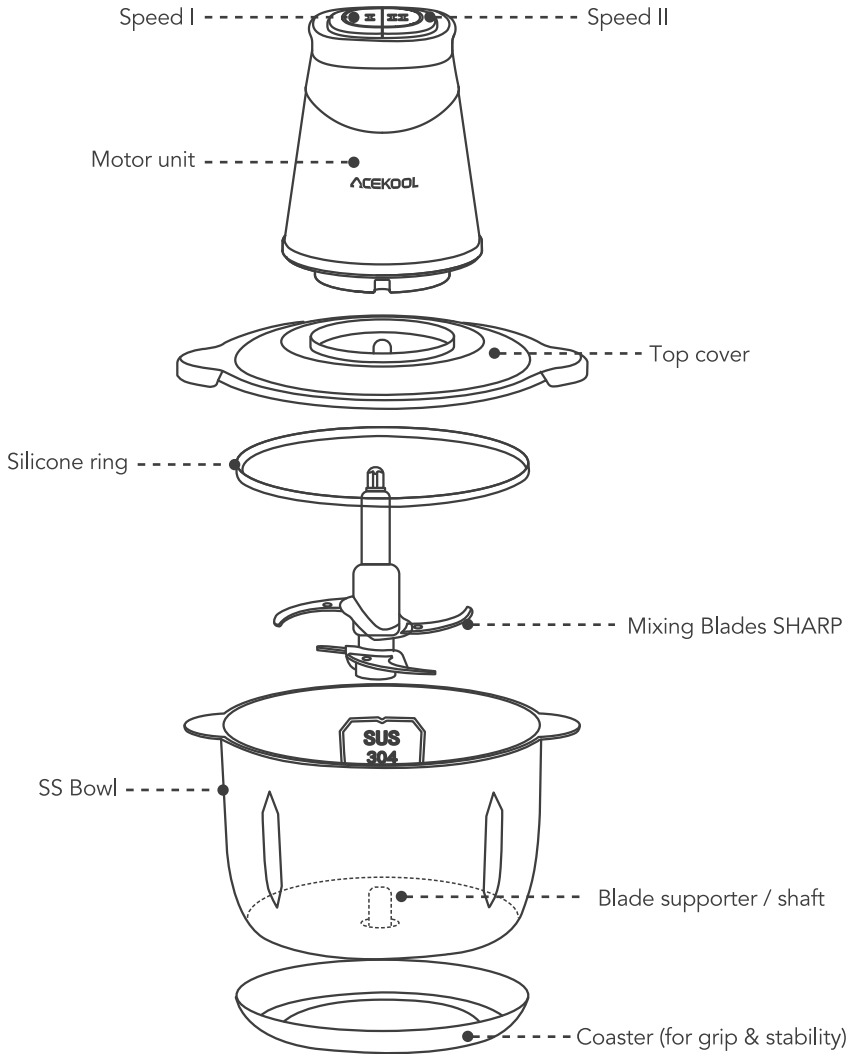
Technical Specifications

Voltage: 220-240V~

Power: 300-500W

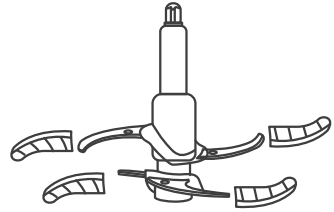
Frequency: 50-60Hz

Product Description



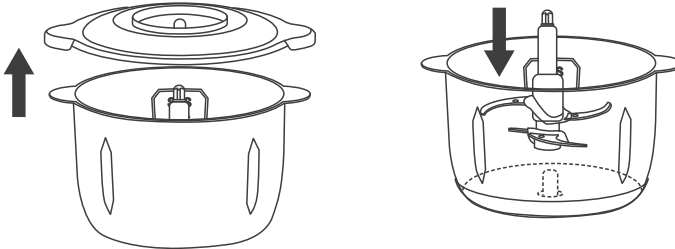
Before First Use

- 1 The blades are covered with plastic covers to avoid any type of cut type injuries. Remember to make sure to remove the plastic covers before operating the chopper.



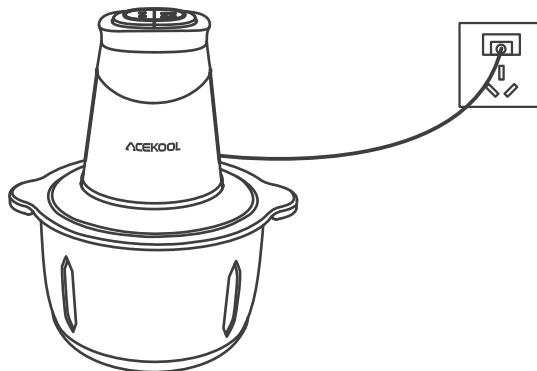
- 2 Before every single use clean the bowl, blades and top cover.

- 3 First dismount the container from the base before adding the ingredients. Place the blades in the blade supporter.



- 4 Please make sure that the blades are still secured to the blade supporter after filling the bowl with the ingredients.

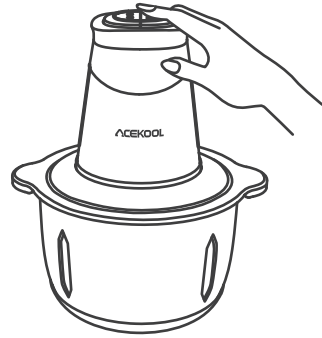
- 5 Make sure that the top cover and the base are securely slotted into the control position before using appliance. Plug the plug into power source. Ensure that the plug rating and wall outlet voltage are matched.



- 6** Hold the motor unit sturdy with your hand, press the button to start and release the button to stop the chopper.

Tips:

In order to make full use of chopper over a longer period of time, do not sustain the action for more than 30 second spurts. Give it 120 second rest before to use again.



- 7** After releasing the switch do not remove the motor unit immediately. Wait until the blades stop rotating, take out the plug from the power outlet, then remove the motor unit.

- 8** The Blades are extremely sharp. In order to avoid any type of injury or harm, first remove the blades, and then take out the chopped ingredients with the help of spatula or spoon.



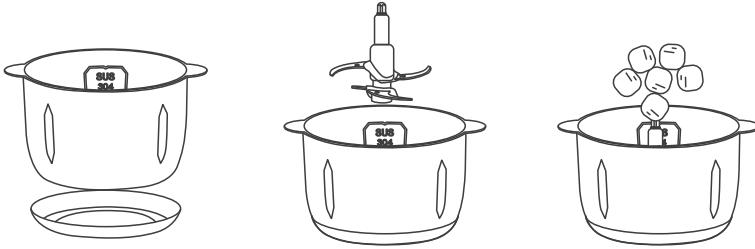
Caution:

To avoid deformation or leakage of the bowl do not pour water or any liquid with a temperature higher than 70°C.

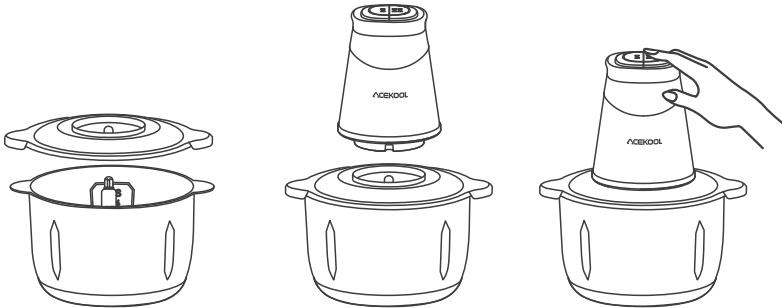
- 9** **Garlic Peeler attachment:** when peeling garlic, do not use the blades, replace with the special garlic peeling attachment.

Operational Process

- Put the SS bowl on the coaster. Slot the blade into the blade supporter.
- Add ingredients. Do not exceed marked max capacity



- Put on the top cover. Place the motor unit on to the top of the top cover.
- Press the speed I or speed II button. Manipulate the dual speed to desired speed.



Ingredients	QTY Max	Processing time Approx.	Things to remember
Pork	500g Cut into 20*20*50mm	20-30s	Remove tendon, bones and skin
Beef	500g Cut into 20*20*50mm	20-30s	Remove tendon, bones and skin
Garlic	200g	10-20s	Use the special garlic peeler attachment to use in place of the SS blades for garlic in order to get the best results.
Hot pepper	200g	10-20s	/
Carrot	200g	10-20s	/
Parsley	200g	10-20s	/

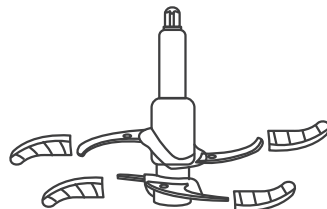
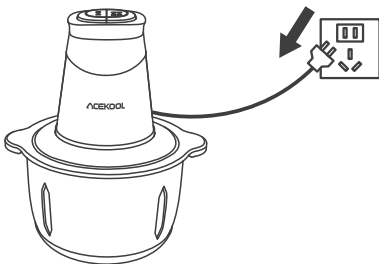
Precautions

NOTE: To best results, do not add more meat than specified/marked max capacity.

- Do not overload one power socket with multiple appliances, it can lead to electric sock.
- Do not use a metallic utensil for removing objects from the machine.
- To avoid any type of risk of electric shock or leakage always remove the plug from socket.
- This appliance cannot be used to process hard food such as: meat with bones, coffee beans, black pepper, Chinese prickly ash or ice cubes.
- The temperature range of the bowl sits between 0°C-50°C. Do not put the bowl into a microwave for heating or put in foods which are a hotter temperature than the bowl.
- Before putting the ingredients into container make sure that the blades are in position, if the blade does not move quickly in few seconds, pull out the plug and check whether there are any obstacles. Remove obstacles or a portion of the ingredients if the slowness is due to over capacity.
- Blades are very sharp. Please do not touch the blade directly with your hand and hold from the arbor of the blade while taking it out of the bowl.
- Never use for more than 30 seconds continuously. After using it for 30 seconds, let it rest for about 2 minutes and then start working again. After completing 3 cycles of 30 seconds with the 2 minute rests, give it a longer rest for at least 15 minutes. Wait for motor to cool down and then start working again.

Cleaning and Maintenance

- After every use, please remove the power cord from power outlet.
- In order to avoid any harm or injury from the blades, please wear gloves to disassemble as per the pictures.
- Always reassemble the blades after cleaning and drying.
- All accessories can be washed in soapy water. To protect against scratches to machine, do not use a metal scraper.
- Never immerse motor unit in a body of water or under running water. Simply wipe it with a damp cloth or sponge.
- If it is out of use for a long time, please store this machine in a dry and well-ventilated environment.





WARNING:

- Do not clean the motor unit in a dishwasher.
- Do not immerse the motor unit in water or any other liquids.
- Clean the surface of the motor unit with a soft, damp cloth.

Caution: The blades are very sharp; use extreme whilst cleaning the inside of the bowl.

Troubleshooting

Potential Problem	Probable Cause	Solutions
The machine does not operate after power has been switched on.	The cover is not securely fitted.	Firmly fit top cover.
The machine stops while in use.	<ol style="list-style-type: none"> 1. Voltage is too low. 2. If the motor works for a long time in one go or is overloaded, the power supply will cut out automatically. 	<ol style="list-style-type: none"> 1. Check power supply for compliance with rated voltage. 2. Pull out the plug from power outlet, wait until the motor has cooled down (about 30 min) before using again.
There is smell during first time functioning.	It is normal for any appliance to emit some smell in the first use.	If the smell persists after few uses, send the appliance to the authorized service center for inspection.
The machine is unusually vibrating or noisy	<ol style="list-style-type: none"> 1. The blades are not placed properly. 2. The machine is not on a stable surface 3. The voltage is too high. 4. The ingredients exceed the maximum filling level. 	<ol style="list-style-type: none"> 1. Take out all the ingredients and place the blades properly. 2. Ensure appliance is on a stable surface. 3. Make sure the power outlet voltage is the same as the appliance voltage. 4. Remove the power plug from the power outlet, take out the extra ingredients and start it again.

ACEKOOL

— Make Life Easier —

Model: BM-217

Email: support@acekool.vip

Website: <https://www.acekool.vip>

Made in China

