

# **GAP**

**ASSEMBLY INSTRUCTION**

**WOUD**

**WHEN DESIGNING THE GAP PENDANTS,  
MY FOCUS WAS TO CREATE A SIMPLE YET  
ELEGANT LIGHT SOURCE THAT COULD FIT  
IN MANY SETTINGS. THE IDEA WITH THE  
GAP IS TO ALLOW THE LIGHT TO ESCAPE  
AND TO CREATE A PLAYFUL AND GRAPHIC  
REFLECTION - AND PUTTING MORE GAP  
PENDANTS TOGETHER WILL INCREASE THIS  
EXPERIENCE. HOPE YOU WILL ENJOY IT.**

**MAYA BOGH VINDBERG**  
NUR DESIGN

**TAKE CARE**

**WE HAVE NOW HANDED OVER  
ONE OF OUR DARLINGS TO YOU.  
NOW IT IS YOURS. TAKE GOOD  
CARE OF IT. YOU CAN READ THE  
CARE INSTRUCTIONS FOR ALL  
OUR MATERIALS AT OUR WEBSITE.**

**[WOU.DK/TAKECARE](http://WOU.DK/TAKECARE)**

# **ASSEMBLY INSTRUCTION**

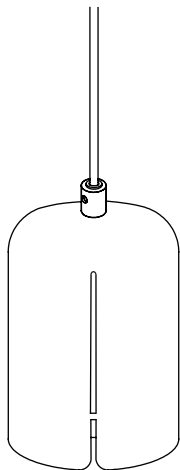
**PLEASE GO THROUGH THE FOLLOWING  
STEPS CAREFULLY. RETAIN THIS MANUAL  
FOR FUTURE REFERENCE TO ENSURE THAT  
YOUR NEW ITEM IS CORRECTLY ASSEMBLED  
IN CASE IT SHOULD BE DISASSEMBLED OR  
MOVED. WE ARE NOT RESPONSIBLE FOR  
ANY FAULTS OR DAMAGES CAUSED BY  
NOT FOLLOWING THESE INSTRUCTIONS  
CORRECTLY.**

**THIS ASSEMBLY INSTRUCTION IS VALID FOR:**

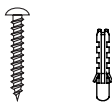
**GAP PENDANT (SHORT)**

**GAP PENDANT (TALL)**

**GAP PENDANT (ROUND)**



**A x 1**



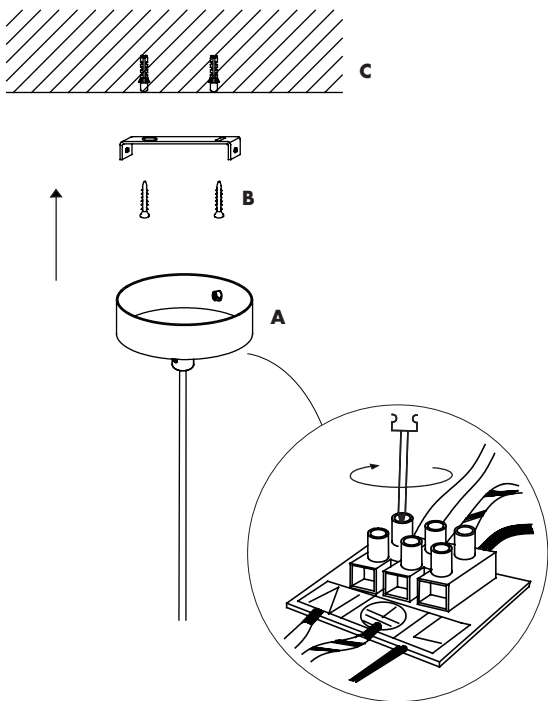
**B x 2    C x 2**



**NOT INCLUDED**

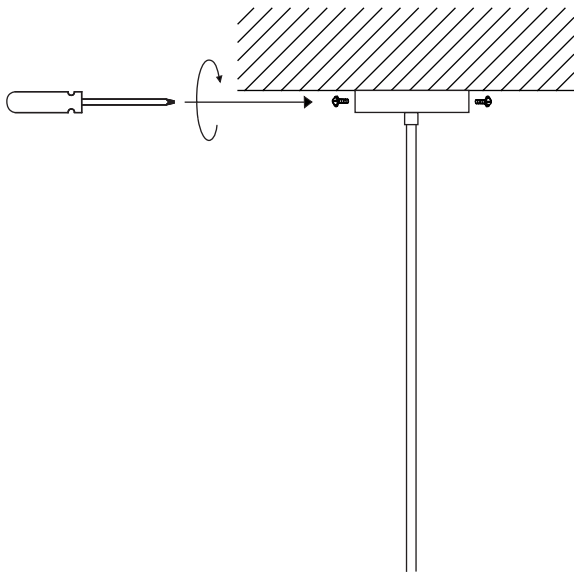
# STEP 1

DECIDE THE LENGTH OF THE CORD AND MOUNT THE CEILING ROSE BRACKET USING THE WALL PLUGS AND SCREWS.



## STEP 2

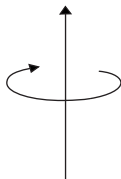
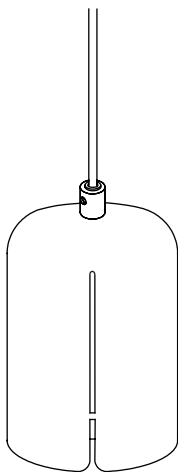
MOUNT THE CEILING ROSE TO THE BRACKET  
USING THE SMALL SCREW BOLTS.





## STEP 3

INSERT A SUITABLE LIGHT BULB.



# SAFETY INSTRUCTIONS



IF THE EXTERNAL FLEXIBLE CABLE OR CORD OF THIS LUMINAIRE IS DAMAGED, IT SHALL BE EXCLUSIVELY REPLACED BY THE MANUFACTURER OR SIMILAR QUALIFIED PERSON IN ORDER TO AVOID A HAZARD.

THE LAMP IS ONLY INTENDED FOR INTERIOR USE.  
LAMP EXTERIOR CAN GET HOT AFTER PROLONGED USE.

ENSURE BULB HAS FULLY COOLED BEFORE  
ATTEMPTING TO REMOVE IT.

PROTECT FROM CONTACT WITH LIQUIDS.  
DO NOT PLACE THE CABLE IN REACH OF SMALL  
CHILDREN OR ANYWHERE THERE IS A RISK OF  
FALLING OVER IT.

WARNING: MUST BE INSTALLED BY  
A LICENCED ELECTRICIAN.

## SAFETY PRECAUTIONS

**DK - SIKKERHEDSFORANSTALNINGER** DEN GRØNNE OG GULE LEDNING MÅ KUN VÆRE FORBUNDET TIL DEN INDGANGEN MARKERET MED ⊕ ELLER +. HVIS LAMPENS UDVENDIGE LEDNING BLIVER BESKADIGET SKAL DER, FOR AT UNDGÅ EN FARLIG SITUATION, RETTES HENVENDELSE TIL PRODUCENTEN, SERVICE AGENTEN ELLER ANDEN LIGNENDE KVALIFICERET PERSON FOR UDSKIFTNING AF DENNE.

**UK - SAFETY PRECAUTIONS** THE CORE WITH GREEN/YELLOW INSULATION MUST ONLY BE CONNECTED TO A TERMINAL MARKED WITH ⊕ OR +. IF THE EXTERNAL FLEXIBLE CABLE OR CORD OF THIS LUMINAIRE IS DAMAGED, IT SHALL BE EXCLUSIVELY REPLACED BY THE MANUFACTURER OR HIS SERVICE AGENT OR A SIMILAR QUALIFIED PERSON IN ORDER TO AVOID A HAZARD.

**F - PRÉCAUTIONS DE SÉCURITÉ** LE CÂBLE VERT ET JAUNE DOIT ÊTRE CONNECTÉ UNIQUEMENT À UNE BORNE MARQUÉE PAR ⊕ OU +. SI LE CÂBLE FLEXIBLE EXTERNE OU LE CORDON DE CE LUMINAIRE EST ENDOMMAGÉ, IL DOIT ÊTRE EXCLUSIVEMENT REMPLACÉ PAR LE FABRICANT, SON AGENT DE SERVICE OU UNE PERSONNE QUALIFIÉE SIMILAIRE AFIN D'ÉVITER TOUT DANGER.

**E - MEDIDAS DE SEGURIDAD** EL CABLE VERDE/AMARILLO SOLE DEBE CONECTARSE A UN TERMINAL MARCADO SON ⊕ O +. SI EL CABLE EXTERNO O CORDÓN DE ESTA LUMINARIA ES DAÑADO, DEBERÁ SER REEMPLAZADO EXCLUSIVAMENTE POR EL FABRICANTE, SU AGENTE COMERCIAL O PERSONA CUALIFICADA SIMILAR PARA EVITAR CUALQUIER PELIGRO.

**D - SICHERHEITSVORKEHRUNGEN** DIE GRÜN/GELB ISOLIERTE ADER DARF NUR AN EINE KLEMME ANGESCHLOSSEN WERDEN, DIE WIE FOLGT GEKENNZEICHNET IST ⊕ ODER +. WENN DAS ÄUSSERE FLEXIBLE KABEL ODER DIE SCHNUR DIESER LEUCHE BESCHÄDIGT IST, DARF NUR DER HERSTELLER ODER SEIN KUNDENDIENST ODER EINE ÄHNLICH QUALIFIZIERTE PERSON DAS KABEL ERSETZEN, UM EINE GEFÄHRDUNG ZU VERMEIDEN.

DESIGNED BY  
**NUR DESIGN**