



# Warm

Design by Ramos & Bassols

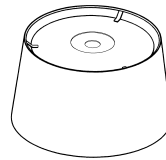
**VIBIA**  
LIGHT IS CREATION

## ASSEMBLY INSTRUCTIONS

Version U04

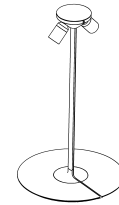
### SUPPLIED MATERIAL

1.

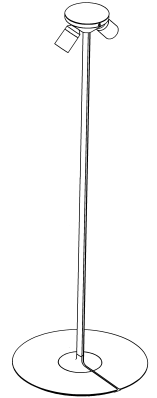


2.

4900 - 4901



4905 - 4906



	4900	4901	4905	4906
1 Shade	1 un.	1 un.	1 un.	1 un.
2 Lighting fixture	1 un.	1 un.	1 un.	1 un.

### TECHNICAL SPECIFICATIONS

4900	Net Weight	8.37 lbs		3 x A19 Led Lamp 8W	IP20		~ 50-60 Hz	DRY LOCATION
4901	Net Weight	9.47 lbs		3 x A19 Led Lamp 8W	IP20		~ 50-60 Hz	DRY LOCATION
4905	Net Weight	9.03 lbs		3 x A19 Led Lamp 8W	IP20		~ 50-60 Hz	DRY LOCATION
4906	Net Weight	10.14 lbs		3 x A19 Led Lamp 8W	IP20		~ 50-60 Hz	DRY LOCATION

**IP20** Product protected against solid object as big as or bigger than 12mm. No protection against water.

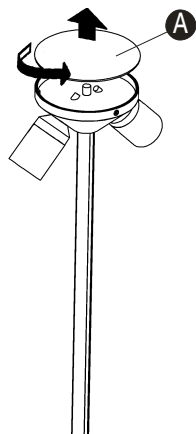
~ Alternating current

### Caution

**Before assembling and installing this product, carefully read the following:**

- Always use the recommended bulb
- Never use a bulb with a wattage exceeding the recommended one. Always use a bulb with the recommended wattage or lower.
- If the steel cable or the power cord of this lamp is damaged, it must be replaced only by the manufacturer or their technical service or by a person capacitated to this effect to avoid any risk.
- This lamp is for indoor use only, excluding bathrooms or any type of humid surface.
- We recommend reading the manual before installing the lamp. Keep this instructions for future reference.

1

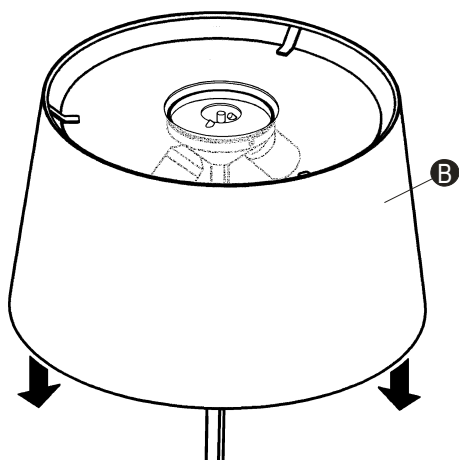


**IMPORTANT NOTICE:**

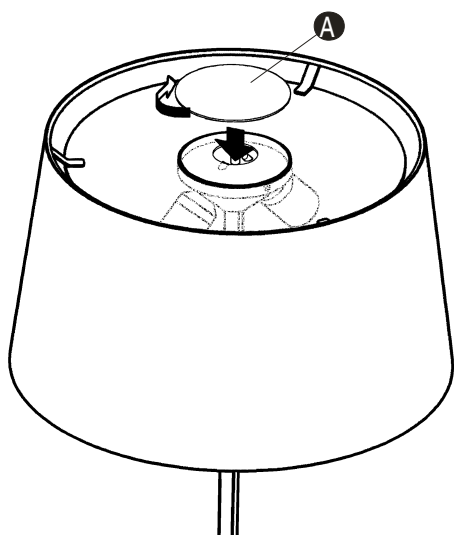
**Caution: to avoid possible electrical shock, make certain electricity is shut off at main panel before wiring**

1. Loosen and remove the top plate (A).
2. Assemble the shade (B) according to the drawing.
3. Fix the shade screwing the top plate (A) and assembly the indicated bulb.

2



3



**Maintenance**

- Use a slightly-wet cotton cloth for cleaning.
- In case of malfunction or damage, please contact the retailer who sold the lamp.