

WAC LIGHTING

Fixture Type: _____

Catalog Number: _____

Project: _____

Location: _____

ACCESSORY

Trimless Junction Box Cover

ORDER NUMBER

Model	Dimensions	Description	Finish
CP-TL	4 1/16" x 4 1/16"	Covers a standard 4" square junction box with trimless install for power feeding.	WT White

Example: CP-TL-WT

PRODUCT DESCRIPTION

Install slim profile fixtures or power connectors to power feed sources with trimless concealment. The trimless junction box cover maximizes seamless integration of lighting elements into architectural spaces.

FEATURES

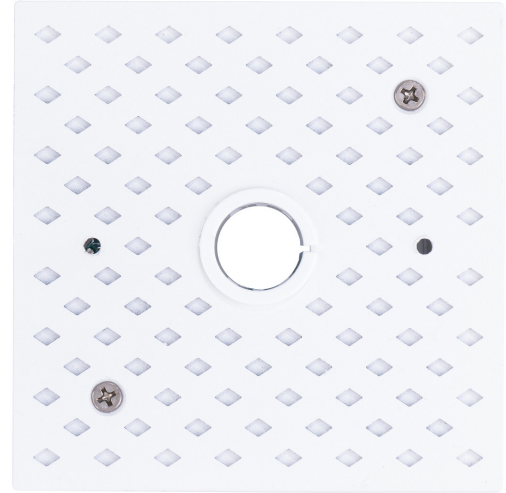
- Trimless spackle cover for 4" square junction boxes recessed in drywall
- Mounts in walls or ceilings for trimless installations
- Accommodates drywall thicknesses of 1/2", 3/8", 1", and 1 1/4"
- Includes hardware to support track connectors and fixtures by 7/8" K.O. or #8 mounting screw holes
- See chart below for connector compatibility with 7/8" K.O. mounting ring
- 5 year warranty

SPECIFICATIONS

Construction:	Heavy duty steel construction
Mounting:	Recessed in drywall with trimless application
Ceiling Thickness:	1/2" - 1 1/4"
Finish:	Electrostatically Powder Coated White
Standards:	UL, cUL, Damp Location Listed

CONNECTOR COMPATIBILITY CHART

	H-Track	L-Track	J/J2-Track	W-Track
Live End	Yes	Yes	Yes	Yes
BX Live End	Yes	Yes	Yes	N/A
Current Limited Live End	Yes	Yes	Yes	Yes
I Power	Yes	Yes	Yes	No
Flexible I Power	Yes	Yes	Yes	No
L Connector	Yes	Yes	Yes	No
T Connector	Yes	Yes	Yes	No
X Connector	Yes	Yes	Yes	No

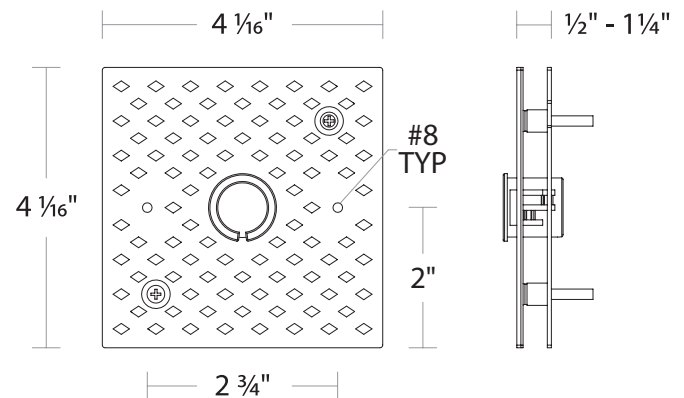


FINISHES



White

LINE DRAWING



REPLACEMENT PARTS

RPL-CP-TL-SPACER Pack includes 1 pair of 1/2", 3/4", & 1" spacers