

SAFETY INSTRUCTION

IMPORTANT: NEVER attempt any work without shutting off the electricity.

- Always turn off power at fuse box prior to installation to prevent electrical shock.
- For installation and serviced by a qualified, licensed electrician.
- Install in accordance with national electric code, and local regulations.
- Consult with local inspector to assure compliance.

CAUTION

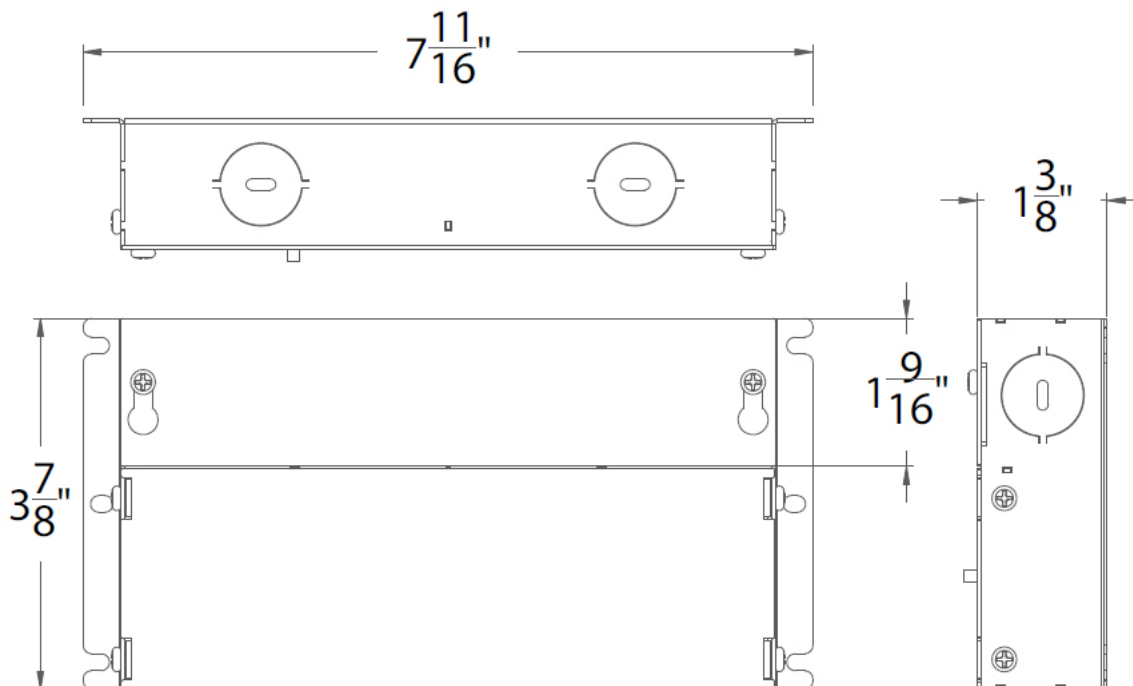
- Read all instructions before installing.
- Handle product with care.
- Do not modify or disassemble product beyond instructions or warranty will be void.
- Failure to follow safety warnings, and installation instruction will void the warranty

FEATURES

- Protection: short circuit/over loading/over temperature
- 24VDC Output, 4A Max (96W) Output Current on each output channel, ≥ 0.9 pf
- Ambient Temp: -20°C to 45°C (-4°F to 113°F)
- Full protection aluminum housing for dry and damp location

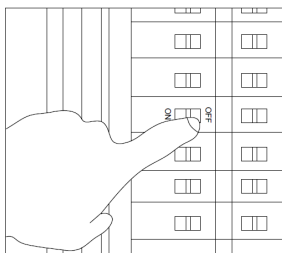
PRODUCT DIMENSION:

96W



WIRING AND INSTALLATION:

1. Turn Power off at circuit breaker



2. Connect electrical power feed wires

- The power supply box has a separate line voltage, and low voltage wiring compartments.
- Trade size knock out are provided on both compartments. Connect building wires to the same color power supply wires with wire nuts or UL certified electrical connector.
- Enclosed 24VDC class 2 output remote power supply must be installed away from any heat sources, and it must be accessible for service.
- Enclosed 24VDC class 2 output remote power supply is UL listed.
- This power supply provides a 6 inches output leads wires.

Power Supply Output	
RED	+24VDC
BLACK	-

SYSTEM DIAGRAM:

Below example illustrate the wiring diagram when it's connected to wireless DMX controller CTR-WDMX-3CH.

