

Infrared Sensor Switch

2 Conductor Wire

WAC



Fixture Type:

Catalog Number:

Project: _____

Location: _____

Model	Finish
IR-96-24VACDC-BK	Black
IR-96-24VACDC-WT	White

PRODUCT DESCRIPTION

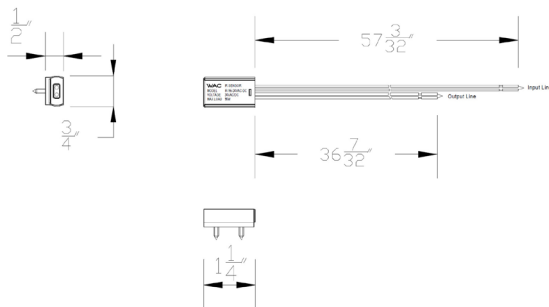
IR (Infrared) sensors switch works by turning the lights on when it becomes unobstructed. This cabinet/door sensors switch is perfect for installation into wardrobes, furniture cabinets and drawers with a 96W power capabilities. Designed to work with both 24VAC and 24VDC, compatible with any low voltage task lights and 2 conductor wire light system.

FEATURES

- Compatible with both 24VAC and 24VDC
- Can be surface mounted with bracket provided or double sided adhesive
- 96W Max. power capabilities
- 5 years warranty

Notes: IR sensor must be mounted within 1-3 inches from cabinet door

LINE DRAWING



SPECIFICATIONS

Construction:	Plastic
Input	24VAC or 24VDC, 96W Max.
Output:	24VAC or 24VDC, 96W Max
Mounting:	Surface mounted with bracket provided or double sided adhesive
Finish:	White / Black
Environment:	50°F - 104°F Indoor used only Dry and damp location

wacighting.com

Phone (800) 526.2588

Fax (800) 526.2585

Headquarters/Eastern Distribution Center

44 Harbor Park Drive

Port Washington, NY 11050

Central Distribution Center

1600 Distribution Ct

Lithia Springs, GA 30122

Western Distribution Center

1750 Archibald Avenue

Ontario, CA 91761