

# INSTALLATION INSTRUCTION

## IR SENSOR SWITCH IR-96-24VACDC\*

# WAC LIGHTING

### SAFETY INSTRUCTION

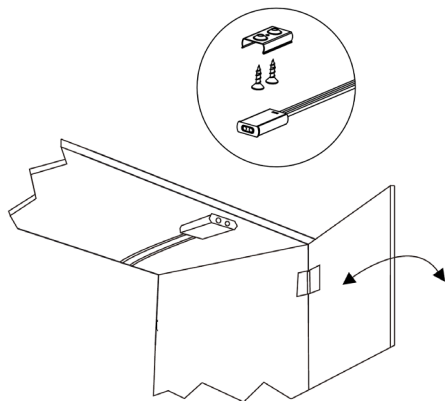
- For indoor use only.
- Dry and damp locations.

### OPERATING CONDITIONS

- 24VDC, 96W MAX
- Mount within 1-3 inches from cabinet door

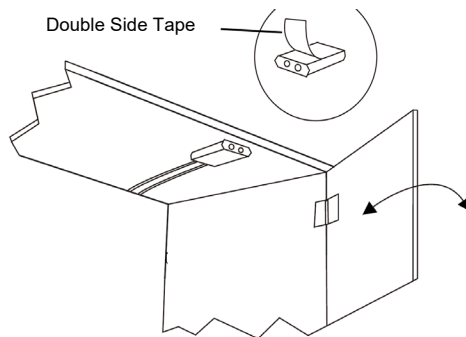
### WIRING AND INSTALLATION:

With mounting hardware



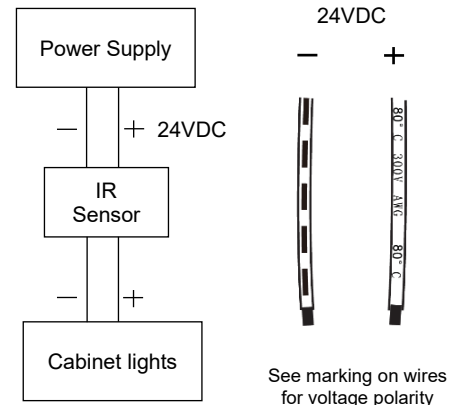
Mount within 1-3 inches from cabinet door

With double side tape



Mount within 1-3 inches from cabinet door

Wiring Instruction



wacighting.com  
Phone (800) 526.2588  
Fax (800) 526.2585

Headquarters/Eastern Distribution Center  
44 Harbor Park Drive  
Port Washington, NY 11050

Central Distribution Center  
1600 Distribution Ct  
Lithia Springs, GA 30122

Western Distribution Center  
1750 Archibald Ave  
Ontario, CA 91761