

INSTALLATION INSTRUCTION

LED DISC

FM-309-9CSJB

WAC

WARNING

IMPORTANT: NEVER attempt any work without shutting off the electricity.

- Read all instructions before installing.
- System is intended for installation by a qualified electrician in accordance with the National Electrical Code and local regulations.
- Go to the main fuse box, or circuit breaker. Place the main power switch in the "OFF" position and unscrew the fuse(s) or switch "OFF" the circuit breaker switch(es) that control the power to the fixture or room that you are working on.
- Place the wall switch in the "OFF" position.
- Supply conductors (Power Wires) Connecting the fixture must be rated minimum 90°C. If uncertain, consult an electrician.

CAUTIONS

- These luminaires (fixtures) are designed to meet the latest NEC requirements and are listed in full compliance with UL 1598.
- Before attempting installation, check your local electrical code, as it sets the wiring standards for your locality.

INSTALLATION

Over standard 3", 4" or 3/0-4/0 combination electrical junction box

1. Provide electrical service according to the "National Electrical Code" or your local electrical code to the outlet box.
2. Connect supply wires to fixture wires and insulate with proper size wire nuts (**Fig. 1**).
3. Connect incoming ground wire (green or bare) to fixture ground wire (green or bare).
4. Connect incoming common (white) wire to fixture common (white).
5. Connect incoming hot (typically black) wire to fixture black wire.
6. Raise the disc light to the junction box and fasten in place with mounting screw.

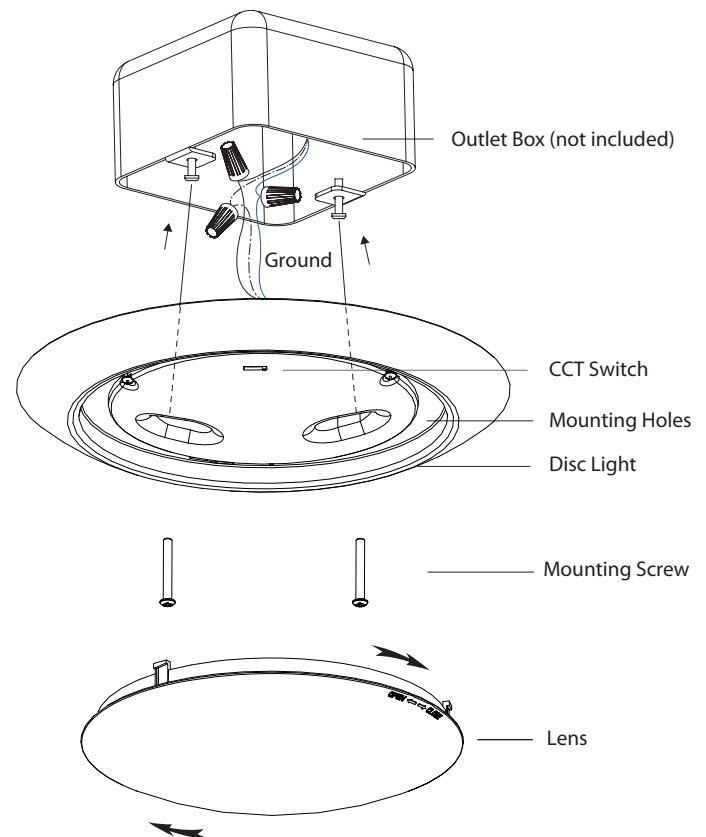
SETTING COLOR TEMPERATURE

Once the fixture is fastened, use the switch on the front of the fixture to selected desired color temperature.

LENS INSTALLATION

Twist the lens clockwise on disc light metal enclosure and lock the lens in place.

Fig. 1



WAC Lighting

www.waclighting.com

Phone (800) 526.2588 • Fax (800) 526.2585

Headquarters/Eastern Distribution Center

44 Harbor Park Drive • Port Washington, NY 11050

Phone (516) 515.5000 • Fax (516) 515.5050

Western Distribution Center

1750 Archibald Ave • Ontario, CA 91761

Phone (800) 526.2588 • Fax (800) 526.2585