

INSTALLATION INSTRUCTION

Volta 4.5" LED - New Construction Round Housing

R4RNT, R4RCT, R4RNL, R4RCL

WAC LIGHTING

Responsible Lighting®

SAFETY INSTRUCTION

IMPORTANT: NEVER attempt any work without shutting off the electricity.

- Read all instructions before installing.
- System is intended for installation by a qualified electrician in accordance with the National Electrical Code and local regulations.
- Go to the main fuse box, or circuit breaker. Place the main power switch in the "OFF" position and unscrew the fuse(s) or switch "OFF" the circuit breaker switch(es) that control the power to the fixture or room that you are working on.
- Place the wall switch in the "OFF" position.

AVERTISSEMENT

IMPORTANT : Coupez l'électricité avant TOUTE manipulation.

- Lisez toutes les instructions avant d'installer.
- Système est destiné à être installé par un électricien qualifié en conformité avec le code national de l'électricité et les règlements locaux.
- Accédez au panneau central de disjoncteurs ou de fusibles de votre demeure et placez l'interrupteur principal en position d'arrêt (« OFF »).
- Placez l'interrupteur mural en position d'arrêt (« OFF »).

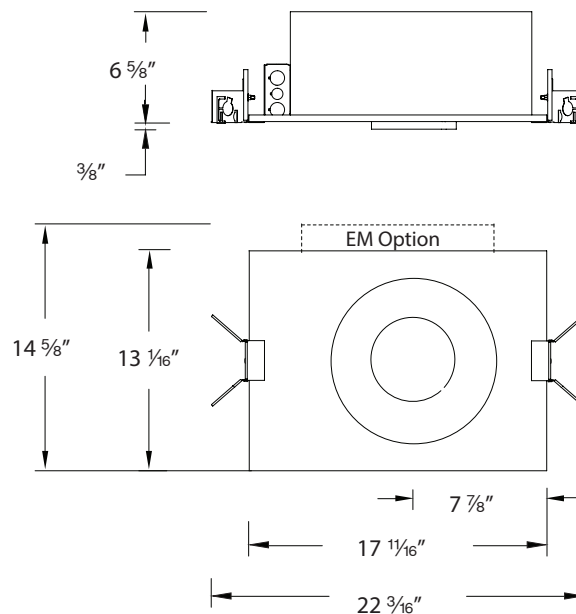
CAUTION

All parts must be used as indicated in these instructions. Do not substitute any parts, leave parts, or use any parts that are worn out or broken. Failure to follow could invalidate the ETL/cETL listing of this fixture.

OVERVIEW

Housing is new construction Airtight IC or Non-IC (Refer to table below). Housing requires a trim for finished look. Refer to specification sheets for compatible trim options.

OVERALL HOUSING DIMENSION



SPECIFICATIONS	
Input:	120-277V; 50/60 Hz
Installation:	Non-IC for -36 model (36W)
	IC for -25 model (25W)
	IC for -15 model (15W)
Dimming:	ELV (120V only) / 0-10V

wacighting.com
Phone (800) 526.2588
Fax (800) 526.2585

Headquarters/Eastern Distribution Center
44 Harbor Park Drive
Port Washington, NY 11050

Central Distribution Center
1600 Distribution Ct
Lithia Springs, GA 30122

Western Distribution Center
1750 Archibald Avenue
Ontario, CA 91760

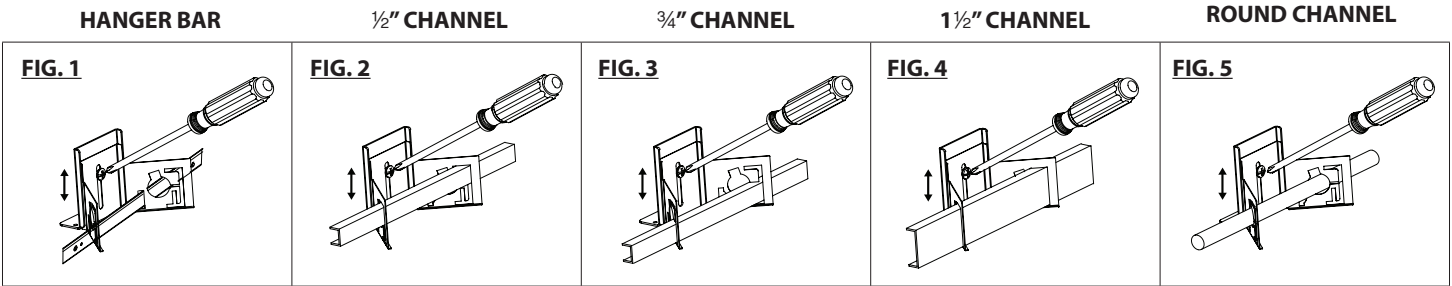
INSTALLATION INSTRUCTION

Volta 4.5" LED - New Construction Round Housing

R4RNT, R4RCT, R4RNL, R4RCL

WAC LIGHTING

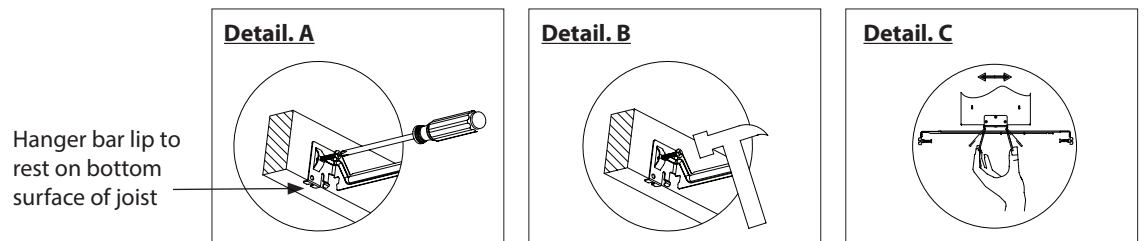
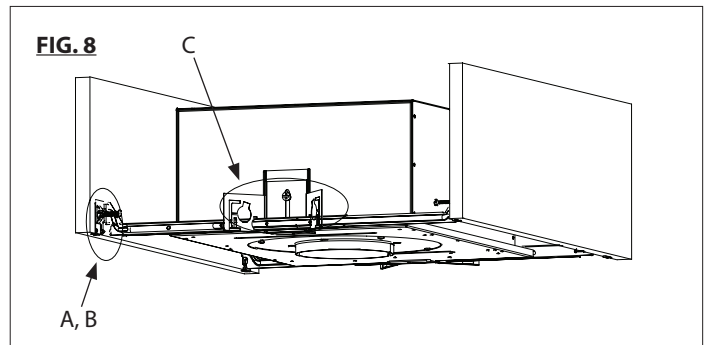
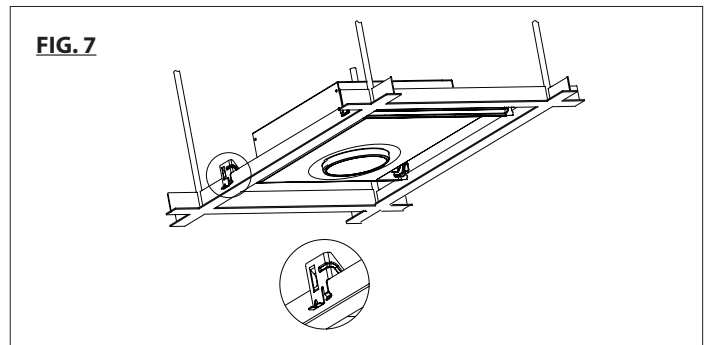
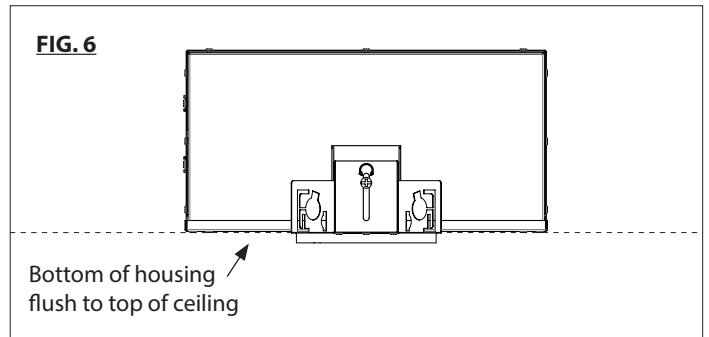
Responsible Lighting®



Trim Housing Installation

- Housing features mounting bracket that can be used with hanger bars or various channel supports (See **FIG. 1-5**). Adjust the brackets to proper height by loosening the wing screw such that the bottom of housing is flush to top of finished ceiling plane (See **FIG. 6**). Retighten screws securely.
- Pinch the two flanges of the brackets towards each other. Slide the male and female hanger bars or other channel supports through the appropriate hole in the brackets.
- A. For hanger bar installation on grid:**
Hanger bars are notched on the ends to fit over "T" bars in suspended ceilings. Support with tie wires (by others) to upper ceiling structure (See **FIG. 7**).

B. For hanger bar installation on joists:
Install the hanger bar and housing assembly such that the lip of the hanger bar rests on the bottom surface of the joist. Use a screw-driver or hammer to secure the "screw-nail" into the wood (See **FIG. 8**).
- Pinch the adjustable bracket and slide the housing along the hanger bars to the desired position (See **Detail. C**). Release to secure the housing in place.



waclighting.com
Phone (800) 526.2588
Fax (800) 526.2585

Headquarters/Eastern Distribution Center
44 Harbor Park Drive
Port Washington, NY 11050

Central Distribution Center
1600 Distribution Ct
Lithia Springs, GA 30122

Western Distribution Center
1750 Archibald Avenue
Ontario, CA 91760

INSTALLATION INSTRUCTION

Volta 4.5" LED - New Construction Round Housing

R4RNT, R4RCT, R4RNL, R4RCL

WAC LIGHTING

Responsible Lighting®

- Remove fixture junction box door and connect fixture wires to building wires: insert each supply wire into appropriate junction box connector. This fixture features electronic low voltage (ELV) or 0-10V dimming capabilities (See **FIG 9**).

To utilize ELV, wire black (line hot), white (line neutral) and green (ground) in accordance to dimmer specifications.

To utilize 0-10V dimming, wire purple (dim+), gray (dim-), black (line hot), white (line neutral) and green (ground) in accordance to dimmer specifications.

When not using a dimmer, connect black fixture wire to hot, white fixture wire to neutral and green fixture wire to ground. Leave all other wires capped individually.

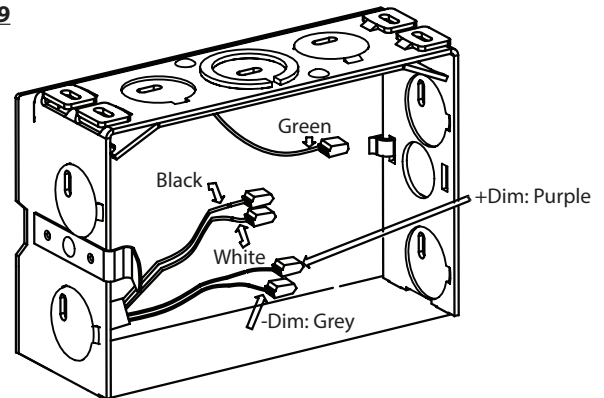
Place all wiring and connectors back in junction box and replace the junction box's cover.

- Cut a 5 1/8" diameter hole in the ceiling at the point of installation and install ceiling (See **FIG. 10**).
- Refer to installation instructions for appropriate trims to complete the installation.

Note: Ceiling thickness table below

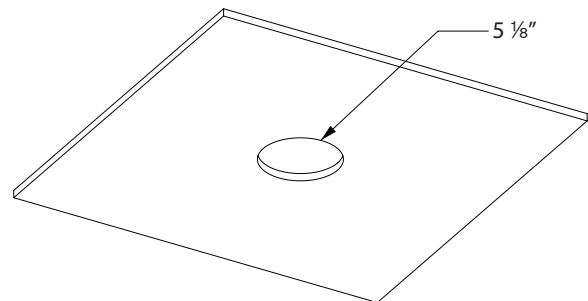
Housing	Trim Model	Trim Description	Ceiling Thickness		
			1/2"	1"	1 1/2"
R4RNT, R4RCT, R4RNL, R4RCL,	R4RD2T, R4RD2L	Downlight	Yes	Yes	Yes
	R4RD1T, R4RD1L	Shallow Regressed Downlight	Yes	Yes	Yes
New Construction	R4RAT, R4RAL	Adjustable	Yes, to 45°	Yes, to 45°	Yes, to 35°
	R4RWT, R4RWL	Wall Wash	Yes	Yes	No

FIG. 9



Black: Line Hot
Green: Ground
White: Line Neutral
Purple: 0-10V Dim+
Grey: 0-10V Dim-

FIG. 10



INSTALLATION INSTRUCTION

Volta 4.5" LED - New Construction Round Housing

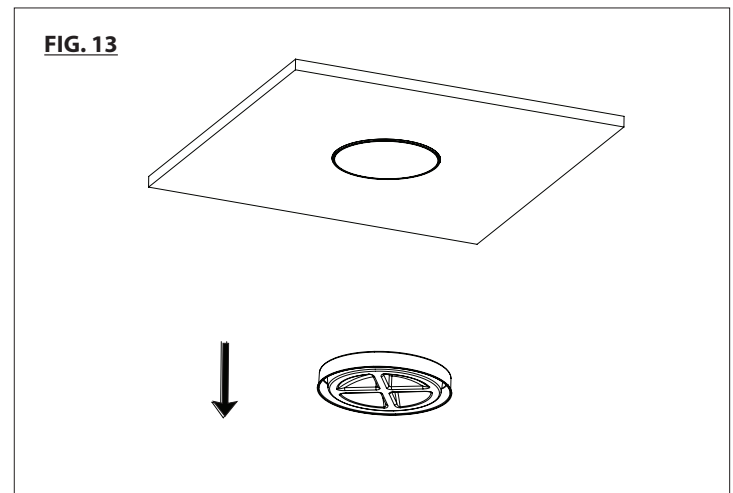
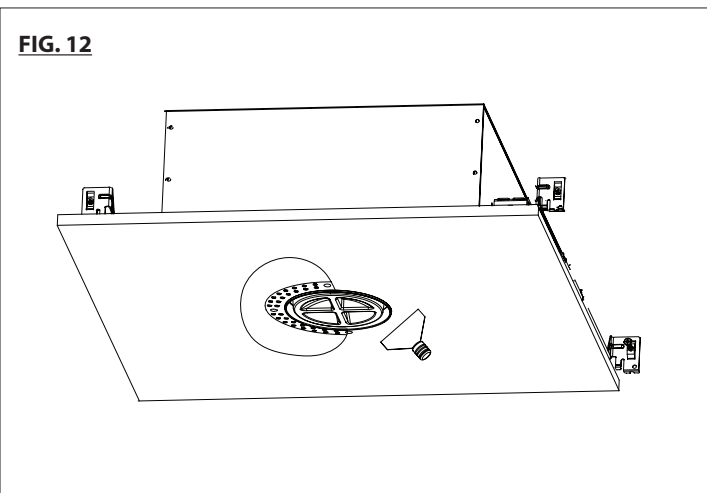
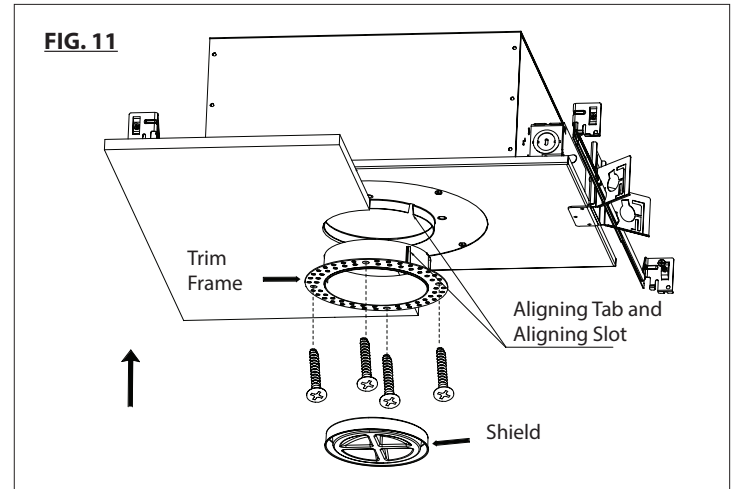
R4RNT, R4RCT, R4RNL, R4RCL

WAC LIGHTING

Responsible Lighting®

Trimless Housing Installation

1. Repeat the same procedure as above from step 1 to step 6.
2. Raise the Trimless frame aligning tab to slot, and secure to trim mounting plate by using the screws supplied. Put plaster shield inside trim opening. (See **FIG. 11**)
3. Apply plaster or spackle over trim frame and sand surface when dry for a finished look. (See **FIG. 12**)
4. Remove the plaster shield when finishing is complete. (See **FIG. 13**)
5. Refer to installation instructions for appropriate trims to complete the installation.



waclighting.com
Phone (800) 526.2588
Fax (800) 526.2585

Headquarters/Eastern Distribution Center
44 Harbor Park Drive
Port Washington, NY 11050

Central Distribution Center
1600 Distribution Ct
Lithia Springs, GA 30122

Western Distribution Center
1750 Archibald Avenue
Ontario, CA 91760