

# INSTALLATION INSTRUCTION

## Volta 4.5" LED - Downlight Round Trim

R4RD1T, R4RD2T, R4RD1L, R4RD2L

WAC LIGHTING  
Responsible Lighting®

### SAFETY INSTRUCTION

IMPORTANT: NEVER attempt any work without shutting off the electricity.

- Read all instructions before installing.
- System is intended for installation by a qualified electrician in accordance with the National Electrical Code and local regulations.
- Go to the main fuse box, or circuit breaker. Place the main power switch in the "OFF" position and unscrew the fuse(s) or switch "OFF" the circuit breaker switch(es) that control the power to the fixture or room that you are working on.
- Place the wall switch in the "OFF" position.

### AVERTISSEMENT

IMPORTANT : Coupez l'électricité avant TOUTE manipulation.

- Lisez toutes les instructions avant d'installer.
- Système est destiné à être installé par un électricien qualifié en conformité avec le code national de l'électricité et les règlements locaux.
- Accédez au panneau central de disjoncteurs ou de fusibles de votre demeure et placez l'interrupteur principal en position d'arrêt (« OFF »).
- Placez l'interrupteur mural en position d'arrêt (« OFF »).

### CAUTION

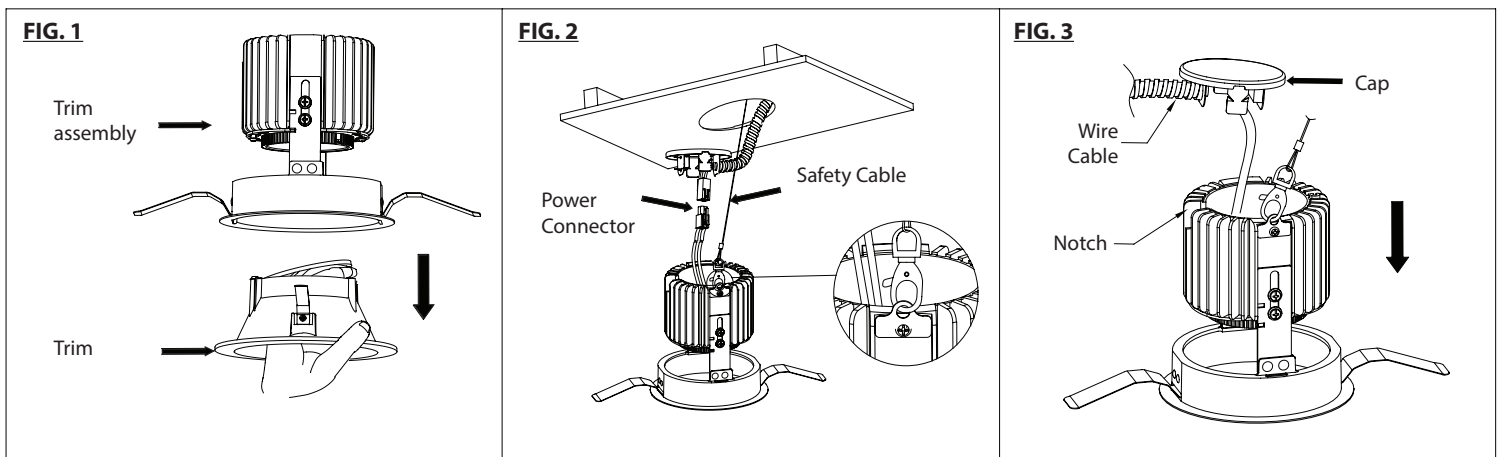
All parts must be used as indicated in these instructions. Do not substitute any parts, leave parts, or use any parts that are worn out or broken. Failure to follow could invalidate the ETL/cETL listing of this fixture.

### TRIM MODEL

The trim R4RD1T and R4RD2T can be used with remodel and new construction round housings. The Trimless R4RD1L and R4RD2L to be used with new construction round housing. Refer to specification sheets for compatible housing and trim details. Follow appropriate housing instructions to begin installation.

### TRIM INSTALLATION (R4RD1T, R4RD2T)

1. Remove trim from trim assembly (See **FIG.1**)
2. Raise trim assembly to ceiling cutout and connect power connector and safety cable (See **FIG.2**)
3. Install connector cap onto top of trim assembly, careful not to pinch power wiring. Make sure the cap wire cable aligns with the notch on the top of heat-sink. (See **FIG.3**).



waclighting.com  
Phone (800) 526.2588  
Fax (800) 526.2585

Headquarters/Eastern Distribution Center  
44 Harbor Park Drive  
Port Washington, NY 11050

Central Distribution Center  
1600 Distribution Ct  
Lithia Springs, GA 30122

Western Distribution Center  
1750 Archibald Avenue  
Ontario, CA 91760

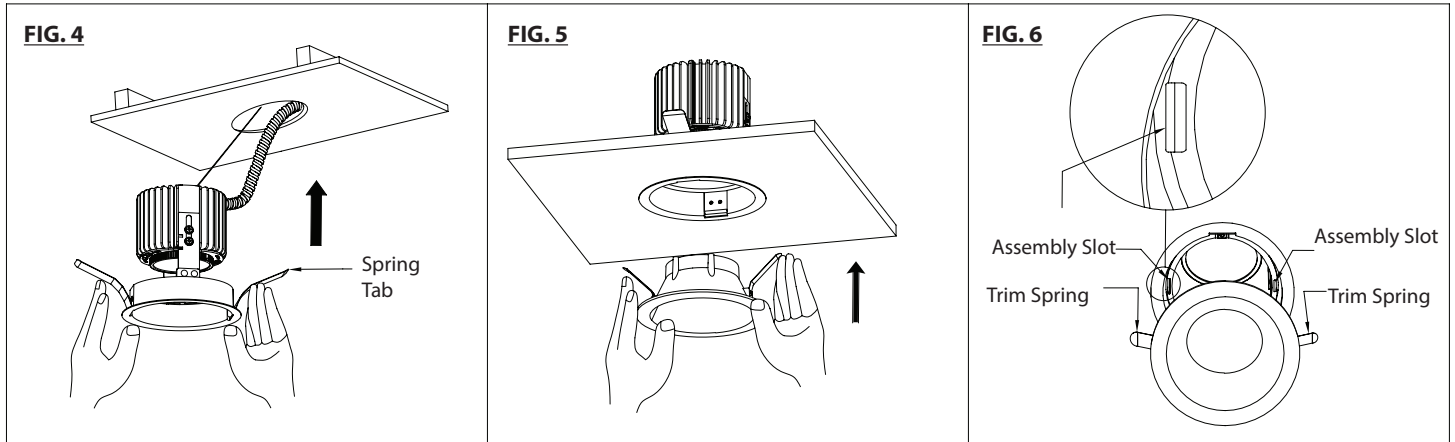
# INSTALLATION INSTRUCTION

## Volta 4.5" LED - Downlight Round Trim

WAC LIGHTING  
Responsible Lighting®

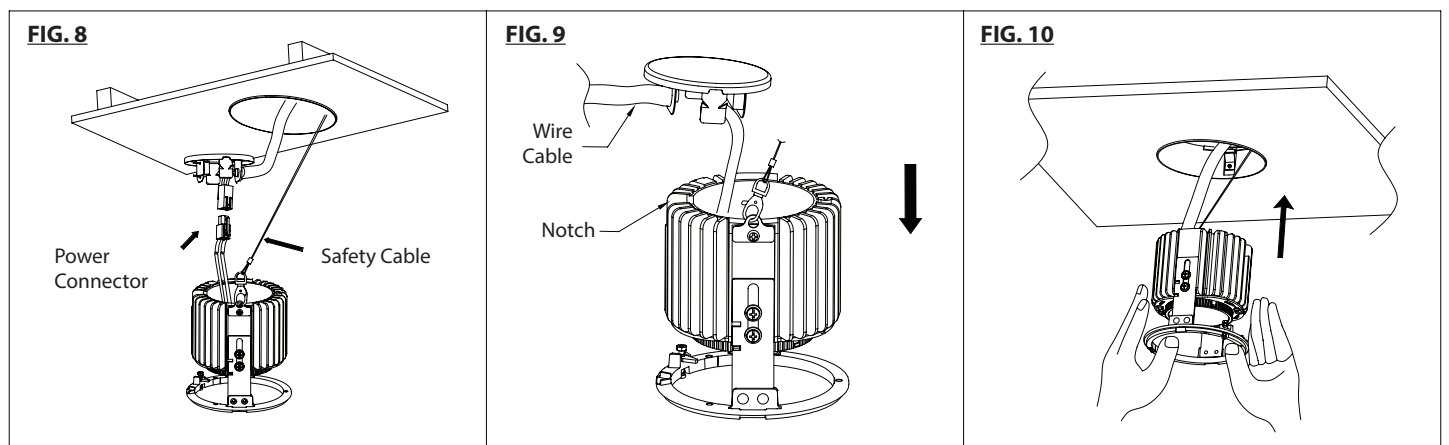
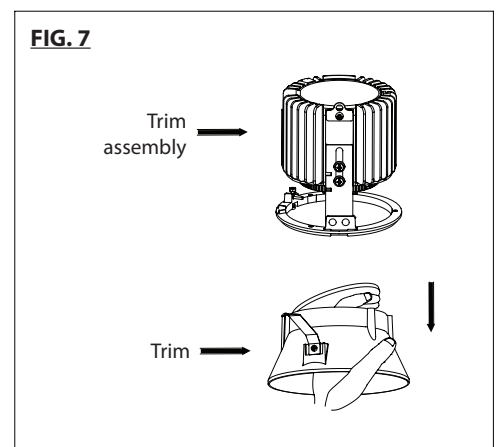
R4RD1T, R4RD2T, R4RD1L, R4RD2L

4. Fold trim assembly mounting springs inward and insert trim assembly into ceiling cutout. Be sure once installed, trim assembly is flush and secure (See FIG.4).
5. Raise trim into trim assembly. Be sure trim springs go into slots in assembly. Raise trim flush with ceiling surface (See FIG.5 &6).



### Trimless INSTALLATION (R4RD1L, R4RD2L)

1. Remove trim from trim assembly (See FIG.7).
2. Raise trim assembly to ceiling cutout and connect power connector and safety cable (See FIG.8).
3. Install connector cap onto top of trim assembly, careful not to pinch power wiring. Also make sure the cap wire cable align with the notch on the top of heat-sink. (See FIG.9).
4. After power and safety chain connections, insert trim assembly into spackle frame (See FIG.10).



waclighting.com  
Phone (800) 526.2588  
Fax (800) 526.2585

Headquarters/Eastern Distribution Center  
44 Harbor Park Drive  
Port Washington, NY 11050

Central Distribution Center  
1600 Distribution Ct  
Lithia Springs, GA 30122

Western Distribution Center  
1750 Archibald Avenue  
Ontario, CA 91760

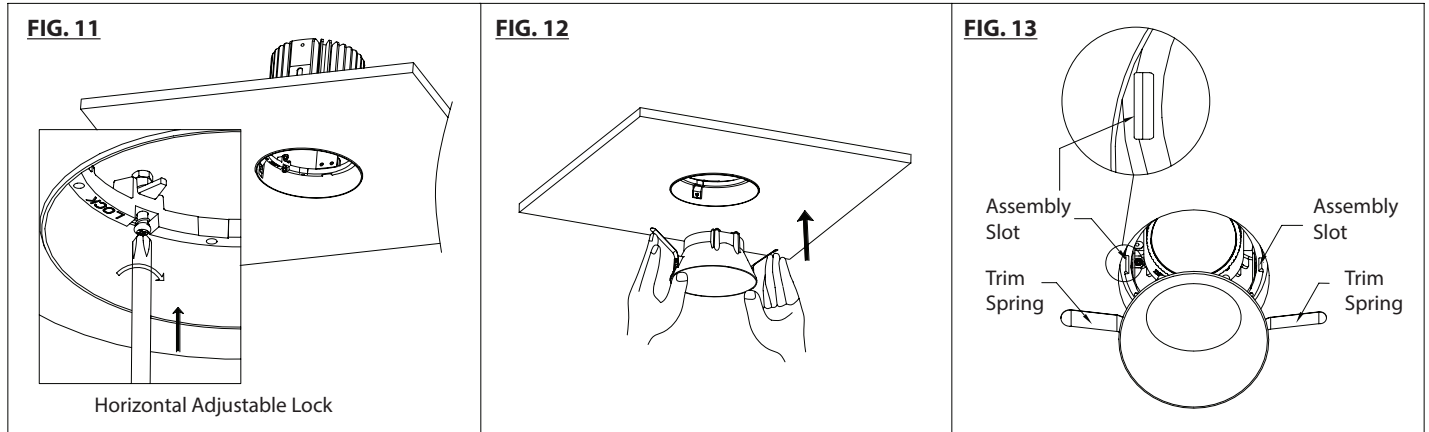
# INSTALLATION INSTRUCTION

## Volta 4.5" LED - Downlight Round Trim

WAC LIGHTING  
Responsible Lighting®

R4RD1T, R4RD2T, R4RD1L, R4RD2L

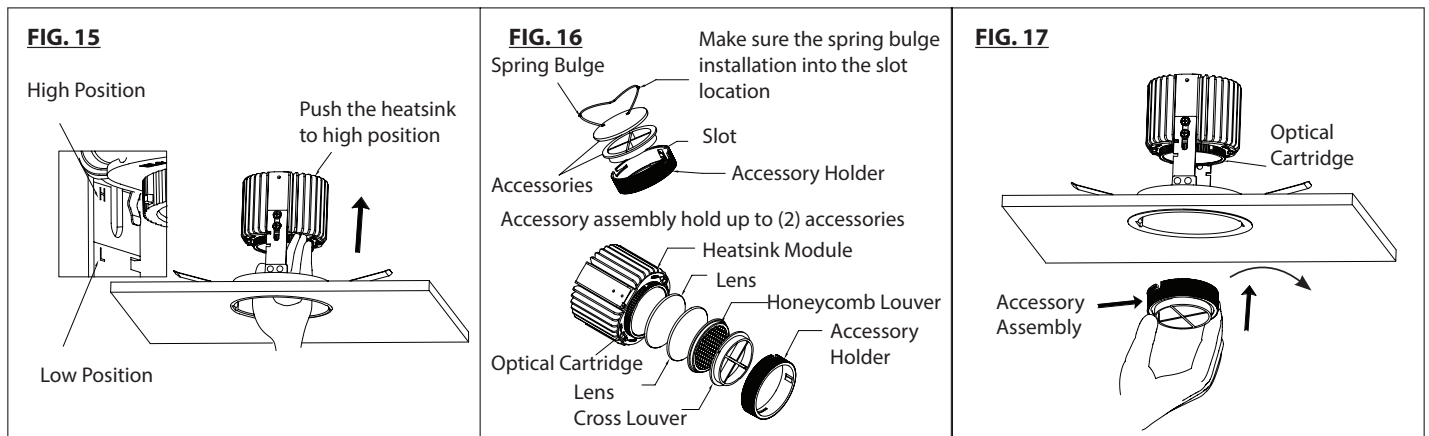
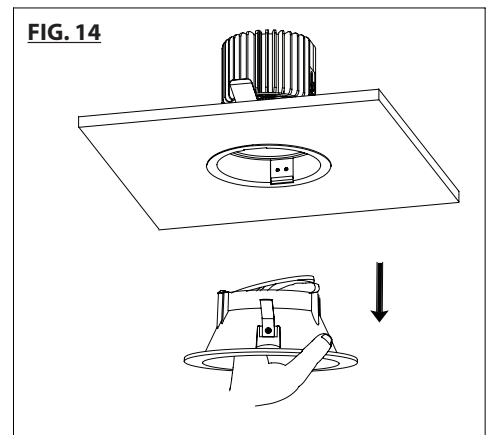
- Adjust trim assembly to the desired location and lock by using screw driver to secure horizontal adjustable lock (**See FIG.11**).
- Raise the Trimless up to trim assembly until the trim ring is flush to the ceiling cutout. Be sure trim springs mount into slots in trim assembly (**See FIG. 12, 13**).



### ACCESSORY INSTALLATION

Trims feature a high and low position. Accessory and accessory holder can be used with trim in high position.

- Power off fixture and let fixture cool down.
- Remove trim from trim assembly (**See FIG.14**).
- Raise the heat sink to high position (**See FIG.15**)
- Prepare accessory holder with appropriate accessory (**See FIG.16**).
- Raise the accessory assembly up into the trim opening, engage the accessory holder at white tabs of optical cartridge and turn clockwise to lock (**See FIG.17**).
- Raise trim up to trim assembly until trim is flush with ceiling surface.  
Be sure trim springs mount in appropriate slots in assembly (**See FIG.5 & 6**).



wacighting.com  
Phone (800) 526.2588  
Fax (800) 526.2585

Headquarters/Eastern Distribution Center  
44 Harbor Park Drive  
Port Washington, NY 11050

Central Distribution Center  
1600 Distribution Ct  
Lithia Springs, GA 30122

Western Distribution Center  
1750 Archibald Avenue  
Ontario, CA 91760

# INSTALLATION INSTRUCTION

## Volta 4.5" LED - Downlight Round Trim

R4RD1T, R4RD2T, R4RD1L, R4RD2L

WAC LIGHTING  
Responsible Lighting®

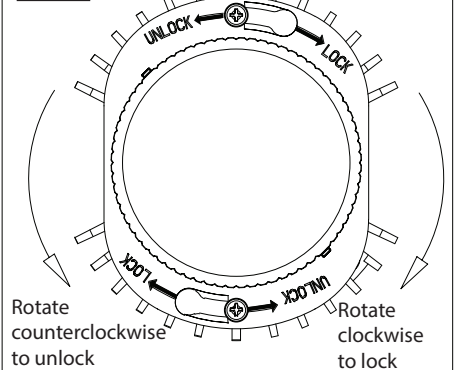
### REFLECTOR AND LED REPLACEMENT

1. Power off fixture and let fixture cool down.
2. Exchange reflector
 

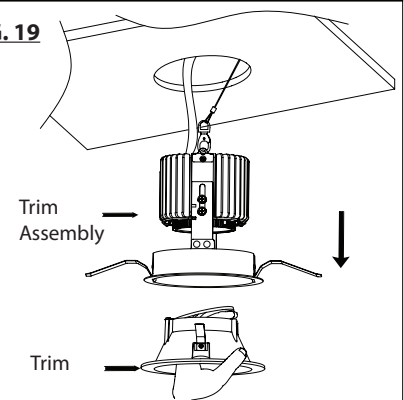
Note: Not for spot distribution which features dedicated module

  - a. Remove the trim from the trim assembly (**See FIG.14**).
  - b. Inset hand into fixture opening to grip optical cartridge, rotate to unlock and take out (**See FIG.18**).
  - c. Insert replacement reflector into optical cartridge, put the whole assembly back inside fixture and lock it to the heat sink.
  - d. Reinstall the trim assembly and trim inside fixture to complete.
3. Replace the LED module (For Narrow, Flood & Wide Beams)
  - a. Remove trim from the trim assembly first, then the trim assembly from the ceiling or fixture aperture (**See FIG.19**).
  - b. To remove the Trimless assembly, use the Philips head screw driver to unlock horizontal lock, then use the flat head screw driver to release the spring tab on aperture ring (**See FIG.20**).
  - c. Remove cap and disconnect power connector and safety cable (**See FIG.21**).
  - d. Unlock and remove the optical cartridge and reflector (**See FIG.18**).
  - e. Unscrew the LED holder and remove the LED connector from the LED module (**See FIG.22, 23**).
  - f. Remove and discard the LED module from the heat sink.
  - g. Coat the heat paste (by others or call the factory) on the back of the new LED module and place it on the heat sink by aligning two holes on LED with two screw holes on the heat sink.
  - h. Connect the LED module with connector and fasten the LED holder on top of the LED model by tightening two screws.
  - i. Reinstall the reflector and optical cartridge (**See FIG.18**).
  - j. Connect power connector and safety cable, then reinstall the trim assembly and trim inside fixture to complete.

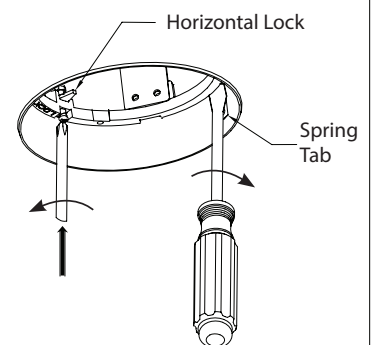
**FIG. 18**



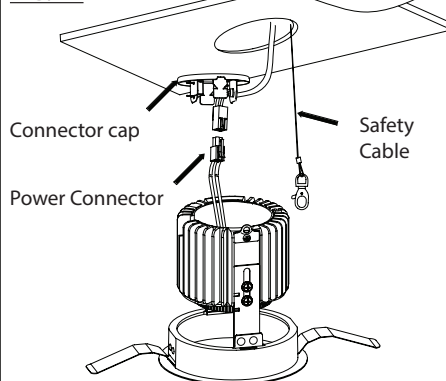
**FIG. 19**



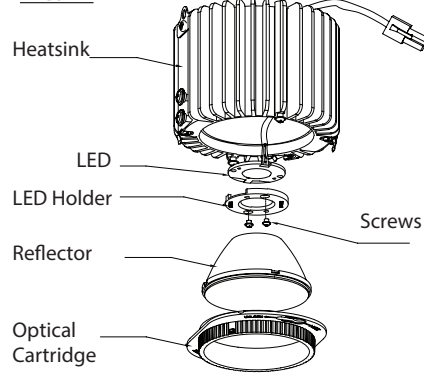
**FIG. 20**



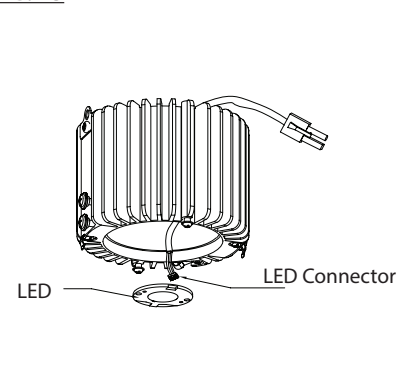
**FIG. 21**



**FIG. 22**



**FIG. 23**



waclighting.com  
Phone (800) 526.2588  
Fax (800) 526.2585

Headquarters/Eastern Distribution Center  
44 Harbor Park Drive  
Port Washington, NY 11050

Central Distribution Center  
1600 Distribution Ct  
Lithia Springs, GA 30122

Western Distribution Center  
1750 Archibald Avenue  
Ontario, CA 91760

# INSTALLATION INSTRUCTION

## Volta 4.5" LED - Downlight Round Trim

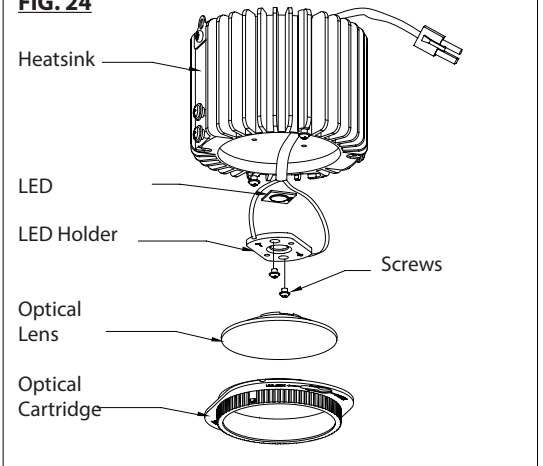
R4RD1T, R4RD2T, R4RD1L, R4RD2L

WAC LIGHTING  
Responsible Lighting®

### 4. Replace the LED module (For Spot Beam)

- Remove trim from the trim assembly first, then the trim assembly from the ceiling or fixture aperture (**See FIG.19**).
- To remove the Trimless assembly, use the Philips head screw driver to unlock horizontal lock, then use the flat head screw driver to release the spring tab on aperture ring (**See FIG.20**).
- Remove cap and disconnect wire connector and safety cable (**See FIG.21**).
- Unlock and remove the optical cartridge and lens (**See FIG.18**).
- Unscrew and remove the LED holder (**See FIG.24**).
- Remove and discard the LED module from the heat sink.
- Coat the heat paste (by others or call the factory) on the back of the new LED module, then mount the LED onto the LED holder. Make sure LED positive matching the holder positive. (**See FIG.25**)
- Place back the LED holder on the heat sink by tightening two screws.
- Lock the optical cartridge with lens on the heat sink. (**See FIG.18**)
- Connect power connector and safety cable, then reinstall the trim assembly and trim inside fixture to complete.

**FIG. 24**



**FIG. 25**

