

TRIMMED HOUSING

2" Volta

WAC LIGHTING

Responsible Lighting®

SPECIFICATIONS

Input: Universal 120 - 277V AC 50/60 Hz

Standards: ETL & cETL, Chicago Plenum, IC-rated, Airtight (see below for list)

Dimming: Electronic Low Voltage (ELV): 100%-5%
0-10V: 100%-0%
Lutron Hi-Lume 1% Ecosystem Fade-to-Black option

Emergency: EM fixtures provided with integral Emergency battery back up with 24" lead wire remote test switch. Provides at least 90 minutes of 8W illumination during emergency operation.

Mounting: New construction housings included with universal mounting brackets and hanger bars
Ceiling cut out (Round): Ø 3 9/16"
Ceiling cut out (Square): 3 9/16" x 3 9/16"
See next page for ceiling thickness information

Fixture Type:

Catalog Number:

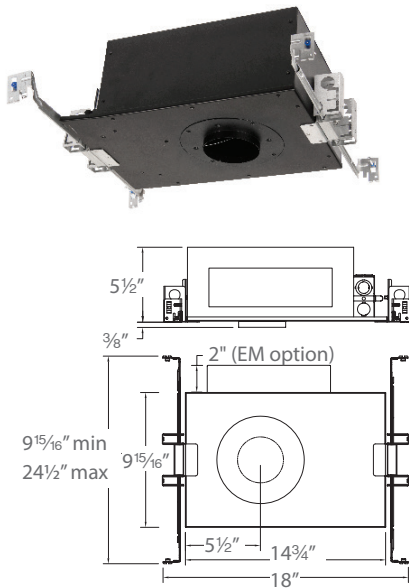
Project:

Location:

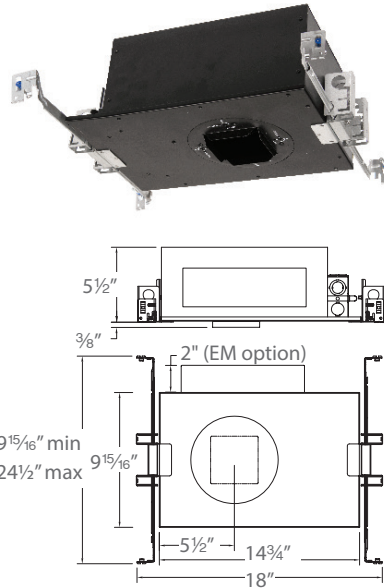
Construction: 20 Gauge cold rolled steel

Warranty: 5 year WAC Lighting product warranty

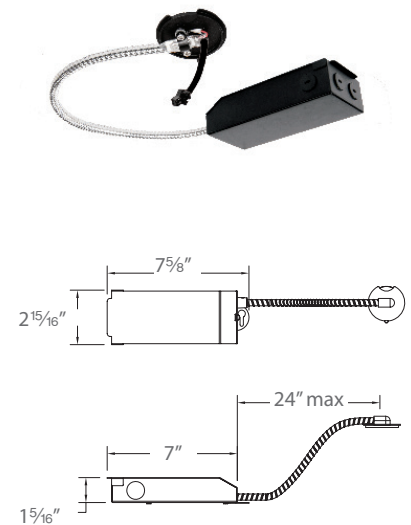
Round New Construction



Square New Construction



Remodel



HOUSINGS

	Model		Power*	S	N, F, W, A	Rating	Driver	Emergency Backup	Compatible Trims
Round New Construction	R2RNT	Airtight	15	10W	15W	IC rated	DEFAULT ELV, 0-10V	EM Emergency backup battery (OPTIONAL)	R2RD2T R2RD1T R2RAT R2RWT R2RPT
	R2RCT	Airtight, Chicago Plenum	22	15W	22W	IC rated	L1 Lutron Hi-Lume 1%		
Square New Construction	R2SNT	Airtight	15	10W	15W	IC rated	DEFAULT ELV, 0-10V	EM Emergency backup battery (OPTIONAL)	R2SD2T R2SD1T R2SAT R2SWT R2SPT
	R2SCT	Airtight, Chicago Plenum	22	15W	22W	IC rated	L1 Lutron Hi-Lume 1%		
Remodel	R2BRT	Round or Square	15 22	10W 15W	15W 22W	Non-IC Non-IC	DEFAULT ELV, 0-10V	N/A	R2RD2T, R2SD2T R2RD1T, R2SD1T R2RAT, R2SAT R2RWT, R2SWT, R2RPT, R2SPT

*Power consumption depends on beam angle of the trim.

R2 _____ - _____

Example: **R2RNT-15** or **R2RNT-15EM** (with Emergency backup battery)

Field Replaceable Driver

D-R2N3-15	Driver for 15W New Construction Hsg
D-R2N3-22	Driver for 22W New Construction Hsg

wacighting.com
Phone (800) 526.2588
Fax (800) 526.2585

Headquarters/Eastern Distribution Center
44 Harbor Park Drive
Port Washington, NY 11050

Central Distribution Center
1600 Distribution Ct
Lithia Springs, GA 30122

Western Distribution Center
1750 Archibald Avenue
Ontario, CA 91760

TRIMMED HOUSING

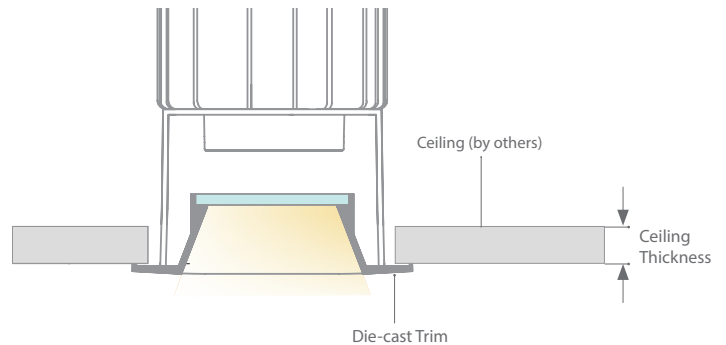
2" Volta

WAC LIGHTING

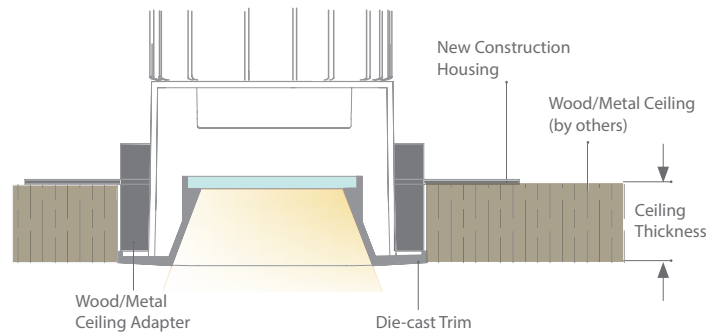
Responsible Lighting®

TRIMMED INSTALLATION





Trim Model	Trim Description	Ceiling Thickness		
		1/2"	1"	1 1/2"
R2RD2T R2SD2T	<i>Downlight</i>	Yes	Yes	Yes
R2RD1T R2SD1T	<i>Shallow Regressed Downlight</i>	Yes	Yes	Yes
R2RAT/ R2RPT R2SAT/ R2SPT	<i>Adjustable/ Pinhole</i>	Yes, to 45°	Yes, to 35°	Yes, to 20°
R2RWT R2SWT	<i>Wall Wash</i>	Yes	Yes	No



WOOD AND METAL CEILING INSTALLATION



WOOD AND METAL CEILING ADAPTERS

Round	
	R2R-ADP1 1/2" to 1" ceiling thickness
	R2R-ADP2 1" to 1 1/2" ceiling thickness
Square	
	R2S-ADP1 1/2" to 1" ceiling thickness
	R2S-ADP2 1" to 1 1/2" ceiling thickness

Adapter Model	Trim Model	Trim Description	Ceiling Thickness		
			1/2"	1"	1 1/2"
R2R-ADP1 Round Up to 1"	R2RD2T R2RD1T	<i>Downlight</i>	Yes	Yes	N/A
	R2RWT	<i>Wall Wash</i>	Yes	Yes	N/A
	R2RAT R2RPT	<i>Adjustable/Pinhole</i>	Yes, to 45°	Yes, to 45°	N/A
R2R-ADP2 Round Up to 1 1/2"	R2RD2T R2RD1T	<i>Downlight</i>	Yes	Yes	Yes
	R2RWT	<i>Wall Wash</i>	No	No	No
	R2RAT R2RPT	<i>Adjustable/Pinhole</i>	Yes, to 30°	Yes, to 30°	Yes, to 30°
R2S-ADP1 Square Up to 1"	R2SD2T R2SD1T	<i>Downlight</i>	Yes	Yes	N/A
	R2SWT	<i>Wall Wash</i>	Yes	Yes	N/A
	R2SAT R2SPT	<i>Adjustable/Pinhole</i>	Yes, to 45°	Yes, to 45°	N/A
R2S-ADP2 Square Up to 1 1/2"	R2SD2T R2SD1T	<i>Downlight</i>	Yes	Yes	Yes
	R2SWT	<i>Wall Wash</i>	No	No	No
	R2SAT R2SPT	<i>Adjustable/Pinhole</i>	Yes, to 30°	Yes, to 30°	Yes, to 30°

waclighting.com
Phone (800) 526.2588
Fax (800) 526.2585

Headquarters/Eastern Distribution Center
44 Harbor Park Drive
Port Washington, NY 11050

Central Distribution Center
1600 Distribution Ct
Lithia Springs, GA 30122

Western Distribution Center
1750 Archibald Avenue
Ontario, CA 91760