

R2RD2T, R2SD2T

2" Volta - Downlight Trim

WAC LIGHTING

Responsible Lighting®



Fixture Type:

Catalog Number:

Project: _____

Location: _____

PRODUCT DESCRIPTION

Volta LED downlight series represents an innovation in design and technology for architectural lighting. This high lumen and adaptable family of fixtures with a comprehensive set of round and square fittings, affords a sustainable solution for commercial, corporate, and upscale residential applications.

FEATURES

- 1" regressed lens for superior glare control
- Integral patterned tempered trim lens included standard
- Compatible with a wide range of accessories
- 5 year WAC Lighting product warranty

SPECIFICATIONS

- Construction:** Durable die-cast self-flanged aluminum construction
- Input:** Universal 120 - 277V AC 50/60 Hz
- Dimming:** Electronic Low Voltage (ELV): 100%-5%
0-10V: 100-0%
Lutron Hi-Lume 1% Ecosystem Fade-to-Black option
- Light Source:** High output 3-step Mac Adam Ellipse COB
Rated life of 50,000 hours at L70
- Mounting:** Heavy gauge retention clips support trim firmly. Safety cabling standard.
Ceiling cut out Round Trimmed: Ø 3 5/16" Invisible Trim: Ø 4 1/4"
Ceiling cut out Square Trimmed: 3 5/16" x 3 5/16" Invisible Trim: 4 1/4" x 4 1/4"
Accommodates 1/2" - 1 1/2" ceiling thickness
- Finish:** Electrostatically powder coated White, Black. Enamel coated Haze. Plated and brushed Copper Bronze.
- Standards:** ETL & cETL Wet location Listed, Title 24 JA8-2016 Compliant.

Model	Beam	Lumens		Color Temp	CRI	Finishes	Reflector/Trim
		Reference	CBCP Output*				
<p>R2RD2T Round Trim R2SD2T Square Trim</p>	S 12°	Round	390	5515	827 2700K 85	BK Black BKWT Black/White CB Copper Bronze HZ Haze HZWT Haze/White WT White	
		Square	405	5405			830 3000K 85
	N 25°	Round	1260	6030	835 3500K 85		
		Square	1375	5505	840 4000K 85		
	F 40°	Round	1305	3355	927 2700K 90		
		Square	1390	3110			930 3000K 90
	W 60°	Round	830	1175	930 3000K 90		
		Square	985	1115			

R2_D2T-_____ - _____

Example: **R2SD2T-N840-WT**

*Reference output shows **830**(85CRI 3000K) trim with **22** housing. Use multiplier table below to determine the output for other combinations.

Multiplier	TRIM					
	827	927	830	930	835	840
HOUSING 22	0.95	0.81	1.00	0.86	1.05	1.07
HOUSING 15	0.66	0.56	0.69	0.59	0.72	0.74

Example: **R2SD2T-N840-WT** with **15** housing: 1375 lm (Reference Output) x 0.74 (Multiplier) = 1018 lm

5505 CBCP (Reference Output) x 0.74 (Multiplier) = 4074 CBCP

Please see next page for housing units(required)

wacighting.com
Phone (800) 526.2588
Fax (800) 526.2585

Headquarters/Eastern Distribution Center
44 Harbor Park Drive
Port Washington, NY 11050

Central Distribution Center
1600 Distribution Ct
Lithia Springs, GA 30122

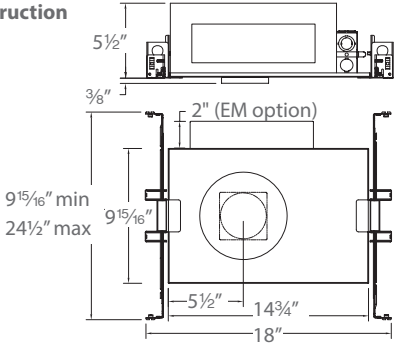
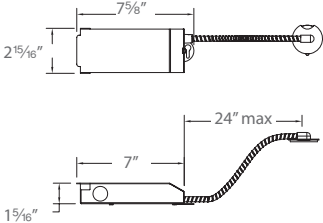
Western Distribution Center
1750 Archibald Avenue
Ontario, CA 91760

R2RD2T, R2SD2T

2" Volta - Downlight Trim

WAC LIGHTING

Responsible Lighting®

HOUSING (Required)	Model	Trim	Power	Driver	Emergency Backup
New Construction Airtight IC 	R2RN Round R2RC Round Chicago Plenum R2SN Square R2SC Square Chicago Plenum	T Trim L Invisible Trim	15 15W IC 22 22W IC	DEFAULT L1 ELV, 0-10V Lutron Hi-Lume 1%	EM Optional
Remodel Non-IC 	R2BR	T Trim	15 15W Non-IC 22 22W Non-IC	DEFAULT ELV, 0-10V	N/A

R2 _____ - _____

Example: **R2RNT-15** or **R2RNT-15EM** (with Emergency backup battery)

WOOD AND METAL CEILING ADAPTERS

Round

R2R-ADP1	1/2" to 1" ceiling thickness
R2R-ADP2	1" to 1 1/2" ceiling thickness

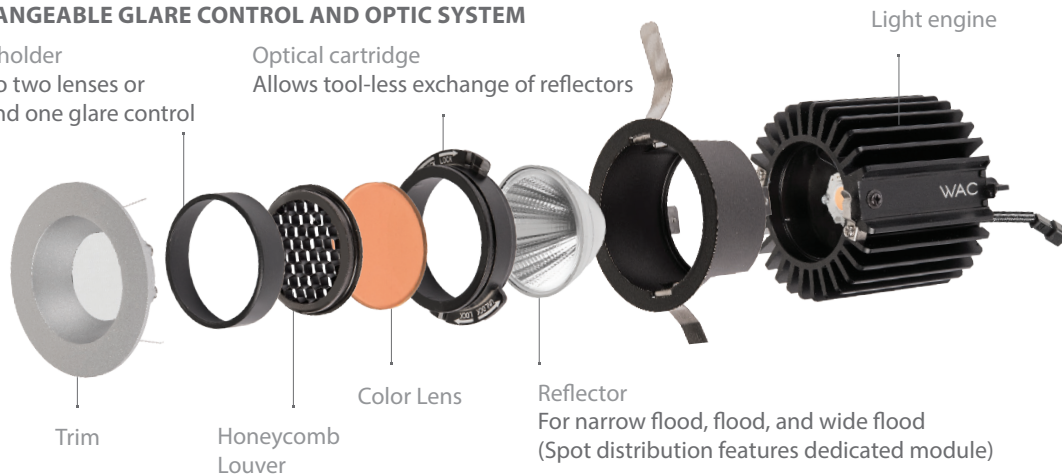
Square

R2S-ADP1	1/2" to 1" ceiling thickness
R2S-ADP2	1" to 1 1/2" ceiling thickness

FIELD CHANGEABLE GLARE CONTROL AND OPTIC SYSTEM

Accessory holder
Holds up to two lenses or one lens and one glare control

Optical cartridge
Allows tool-less exchange of reflectors



ACCESSORY HOLDER sold separately

LENS-16-HLD	Required for use with any lens or accessory
--------------------	---

GLARE CONTROL ACCESSORIES

LENS-16	HCM Honeycomb Louver CRL Cross Louver
----------------	--

INTERCHANGEABLE REFLECTORS

REF-R2-N	Narrow Flood beam
REF-R2-F	Flood beam
REF-R2-W	Wide beam

LENS ACCESSORIES

LENS-16	AMB	Amber
	RED	Red
	FR	Frosted
	SPR	Spread
	BEL	Beam Elongating

wacighting.com
Phone (800) 526.2588
Fax (800) 526.2585

Headquarters/Eastern Distribution Center
44 Harbor Park Drive
Port Washington, NY 11050

Central Distribution Center
1600 Distribution Ct
Lithia Springs, GA 30122

Western Distribution Center
1750 Archibald Avenue
Ontario, CA 91760